

NOBLELIFT

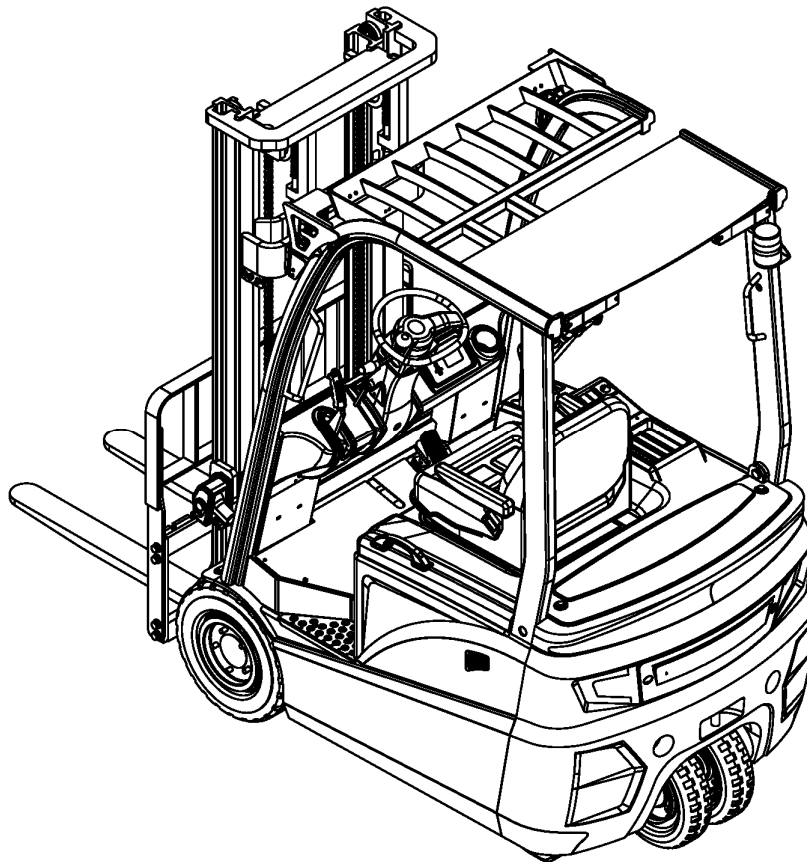


FE3D16-20N-BPT-002

Warning

Operators should read and understand this manual and all warning labels on the forklift before using the forklift!

Keep the manual for future reference!



Parts List

FE3D16-20 N SERIES

Battery Counterbalanced Forklift Truck

NOBLELIFT INTELLIGENT EQUIPMENT CO.,LTD.

Foreword

Welcome to use Noblelift counter balanced fork lift truck!

1、 This spare parts list includes all the parts of FE3D16-20 N series fork lift truck.

2、 The user can refer the list according to the catalogue page.

3、 When repairing or replacing the spare parts, please use correct spare parts to ensure the truck quality.

4 、 When ordering parts, please write clearly the truck type, manufacturing NO, parts serial NO and order aquantity.

Note: ▲Do not provide spare parts separately.

5、 In order to further optimize the product, we reserve the right to change our products. and without prior notice to you, please understand. If you want to know the latest product information, you can get the latest information from the company's sales and spare parts company.

contents

Foreword.....	1
1 Driving system.....	4-5
2 Gear box.....	6-9
3 Driving barking.....	10-11
4 Foot brake assembly	12-13
5 Hand brake assembly.....	14-15
6 Steering device.....	16-17
7 Steering axle and installation.....	18-19
8 Steering axle.....	20-21
9 Accelerator and installation.....	22-23
10 Lifting motor and installation.....	24-25
11 hood installation.....	26-29
12 offside door.....	30-31
13 Left side door	32-33
14 Valve cover.....	34-35
15 Frame assembly.....	36-37
16 Overhead guard and installation.....	38-39
17 Counter weight assembly.....	40-41
18 Control panel.....	42-43
19 Multiple directional control valve (bigeminy).....	44-45
20 Multiple directional control valve (trigeminy).....	46-49
21 Multiple directional control valve(four joint).....	50-53
22 Hydraulic system.....	54-57
23 Working cylinder mechanism and installation.....	58-59
24 Mast lifting pipeline (standard mast)	60-61
25 Mast lifting pipeline (two stage full free lift).....	62-63
26 Mast lifting pipeline (three stage full free lift).....	64-67
27 Side shifter and pipeline installation (standard mast).....	68-69
28 Side shifter and pipeline installation (two stage full free).....	70-73
29 Side shifter and pipeline installation (three stage full free).....	74-77
30 Fork	78-79
31 Fork carrier (standard mast).....	80-81
32 Fork carrier (two stage full free).....	82-83
33 Fork carrier (three stage full free).....	84-85
34 Mast (standard mast).....	86-87

35 Mast (two stage full free).....	88-89
36 Mast (three stage full free).....	90-93
37 Lifting cylinder (standard mast)	94-97
38 Short lifting cylinder (two stage full free).....	99-101
39 Short lifting cylinder (two stage full free).....	102-105
40 Short lifting cylinder (three stage full free)	106-109
41 Lifting cylinder (three stage full free).....	110-113
42 Tilted cylinder.....	114-117
43 Electric system.....	118-121
44 Electronic control element (CURTIS).....	122-123
45 Power connector assembly.....	124-125
46 Battery	126-127
47 Labels.....	128-129
48 Data nameplate.....	130-131

Driving system

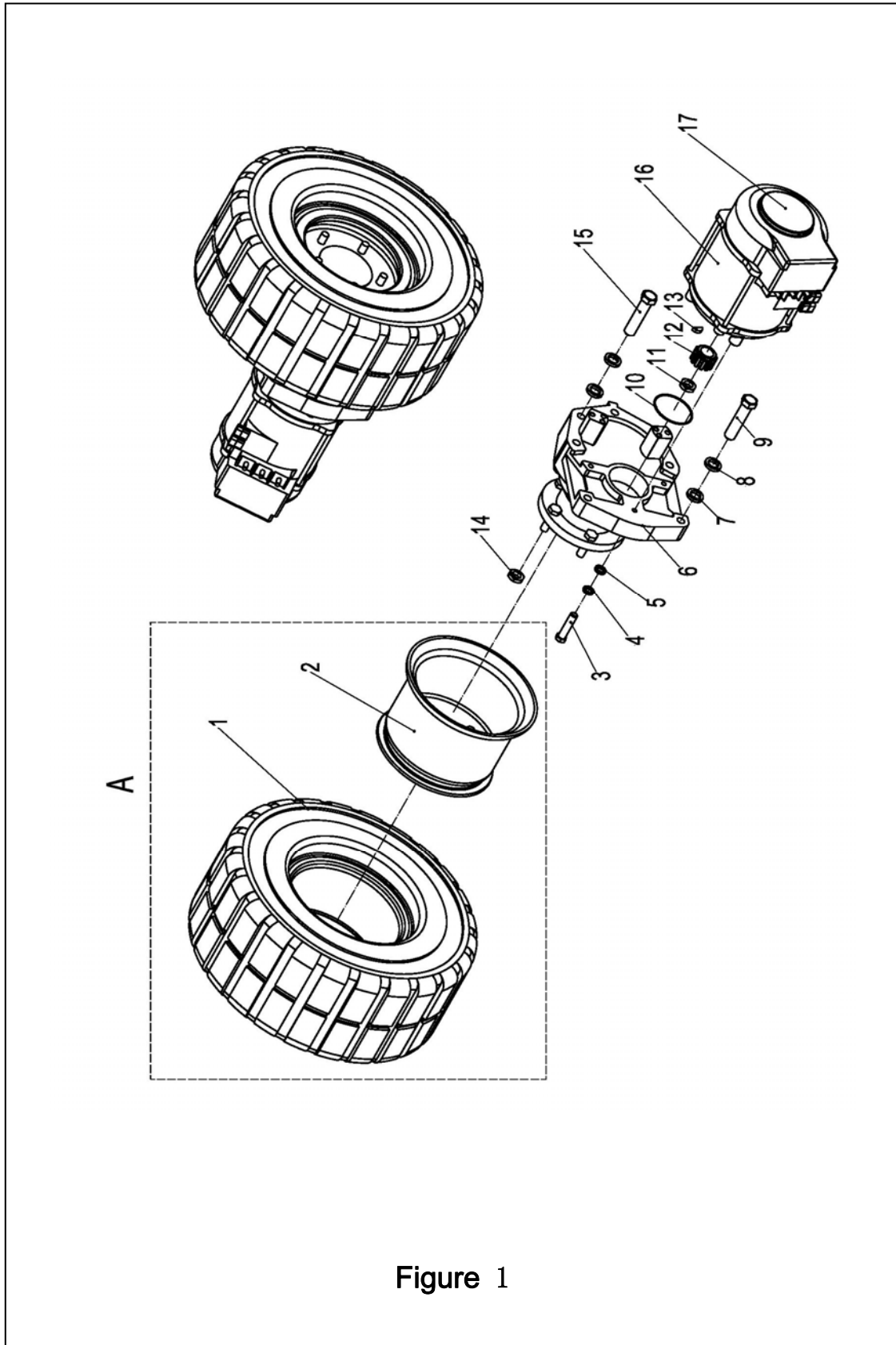


Figure 1

Figure 1**Driving system**

NO	SN	Name	QTY	Remarks
A	281213010001	Driving Wheel 18X7-8(Solid)	2	FE3D16-18
	281213010002	Driving Wheel 18X7-8(Environmental protection)	2	FE3D16-18
	281313010001	Driving Wheel 200/50-10(Solid)	2	FE3D20
	281302013002	Driving Wheel 200/50-10(Environmental protection)	2	FE3D20
1	255015510002	Wheel 18x7-8(Solid)	2	FE3D16-18
	255015510006	Wheel 18x7-8(Environmental protection)	2	FE3D16-18
	256115511001	Wheel 200/50-10(Solid)	2	FE3D20
	256115511003	Wheel 200/50-10 Environmental protection)	2	FE3D20
2	281213011001	tire Rim 4.33R-8	2	FE3D16-18
	281313011001	tire Rim 6.50F-10	2	FE3D20
3	910100100030	bolt GB5782-M8x90-8.8	6	
4	910400500006	spring washer GB93-8	6	
5	910400100006	washer GB97.1-8-200HV	6	
6	281214010001	gear-box (ZF4699.823.078)	2	See figure2
7	910400100009	washer GB97.1-14-200HV	14	
8	910400500009	spring washer GB93-14	14	
9	910100100068	bolt GB5782-M14x90-8.8	10	
10	281298514001	O-ring 78x2.2	2	
11	281298514002	nut M14X1.5	2	
12	281298514003	pinion gear	2	
13	281298514004	woodruff key	2	
14	275015520005	nut M14x1.5	10	
15	910100100066	bolt GB5782-M14x60-8.8	4	
16	920900100051	traction motor HPQ4.5-4NL	2	
	920900100058	traction motor YDQ4.5-4MKS	2	
17	255098513251	encoder SNDH-T4L-G01	2	

Gear-box

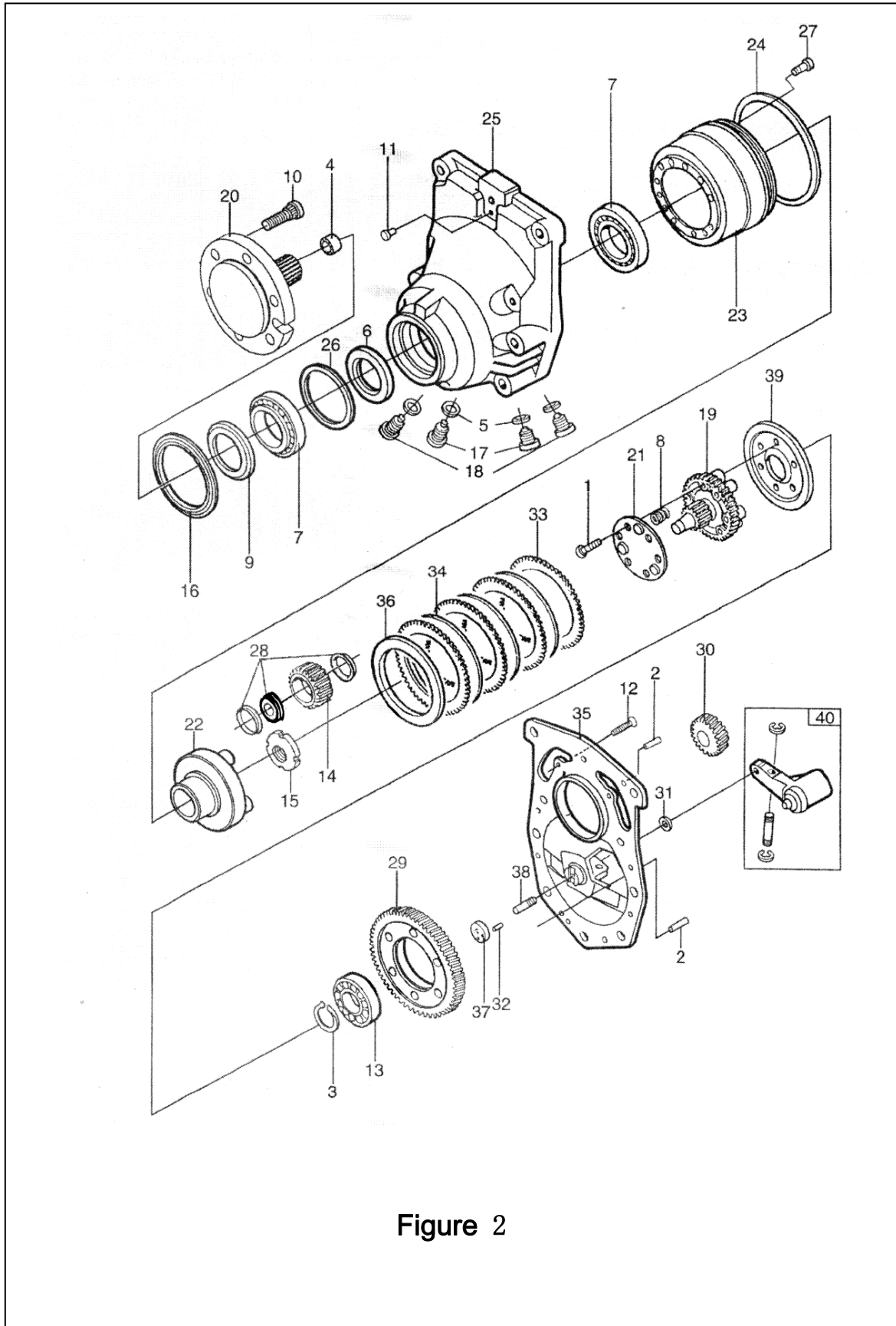


Figure 2

Figure 2**Gear-box**

NO	SN	Name	QTY	Remarks
A	281214010001	gear-box	2	Include 1-40
1	▲	hexagon head screw	6	
2	▲	cylinder plug	2	
3	▲	elastic retaining ring	1	
4	▲	needle sleeve	1	
5	▲	seal ring	4	
6	▲	shaft seal	1	
7	▲	tapered roller bearing	2	
8	▲	pressure spring	3	
9	▲	nylon ring	1	
10	▲	hexagon headed bolt for tire	6	
11	▲	porous plug	1	
12	▲	socket-cap-screws	8	
13	▲	deep groove ball bearing	1	
14	▲	epicyclical gear	3	
15	▲	hexagonal nut	1	
16	▲	O-Ring	1	
17	▲	plug screw	2	
18	▲	plug screw	2	
19	▲	inner disc support	1	
20	▲	axle	1	
21	▲	mounting frame	1	
22	▲	planet carrier	1	
23	▲	internal tooth	1	
24	▲	FEY-Ring	1	
25	▲	box	1	
26	▲	washer	1	
27	▲	bolt	10	
28	▲	cylindrical bearing	3	
29	▲	pin gear	1	

Record: ▲no offer assembly unit alone

Gear-box

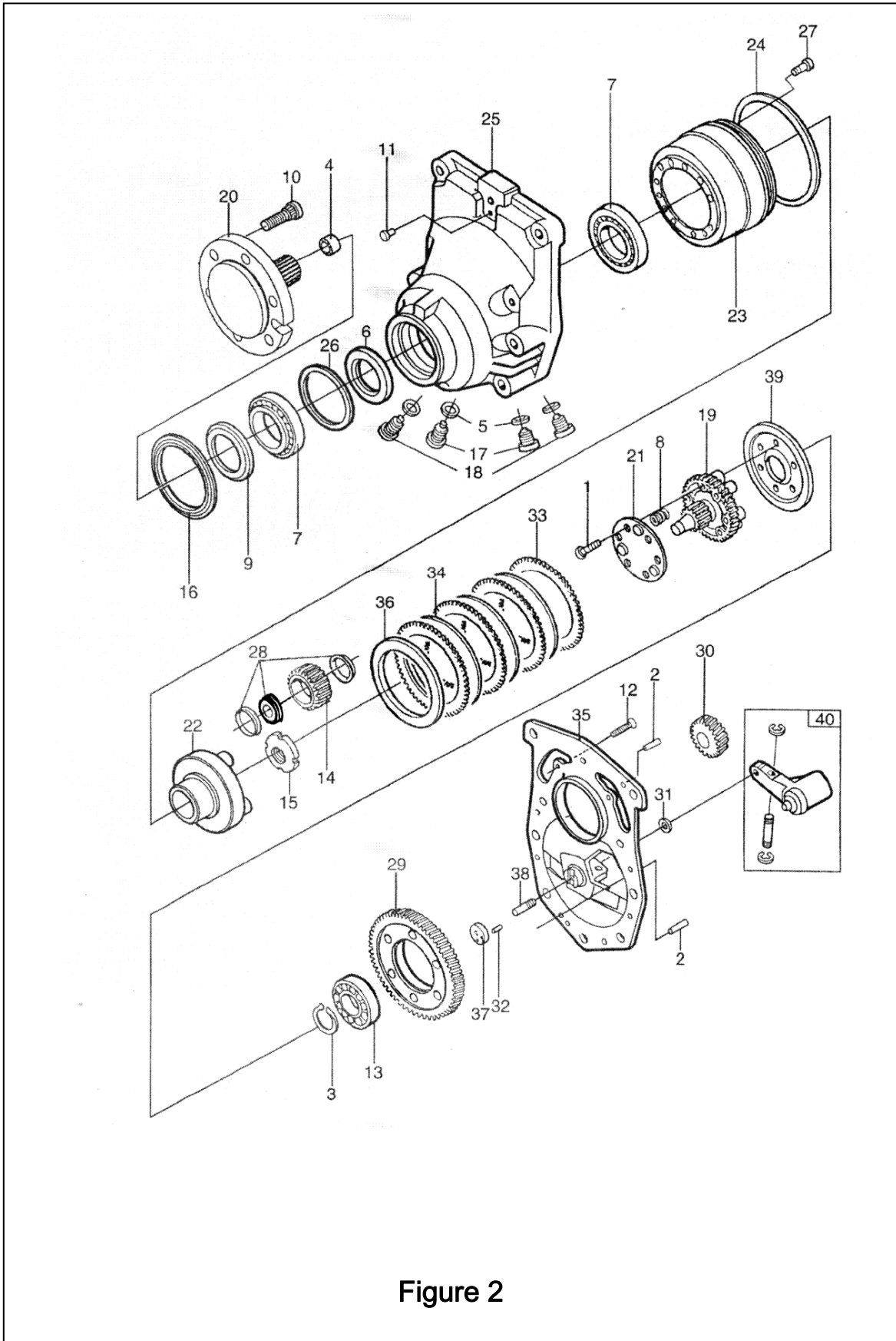


Figure 2

Figure 2**Gear-box**

NO	SN	Name	QTY	Remarks
30	▲	gear	1	
31	▲	shaft seal	1	
32	▲	pin	1	
33	▲	outer friction Plate	4	
34	▲	inner friction plate	3	
35	▲	shell	1	
36	▲	platen	1	
37	▲	footstep bearing	1	
38	▲	pin	1	
39	▲	platen	1	
40	▲	brake rod	1	

Record: ▲no offer assembly unit alone

Driving barking

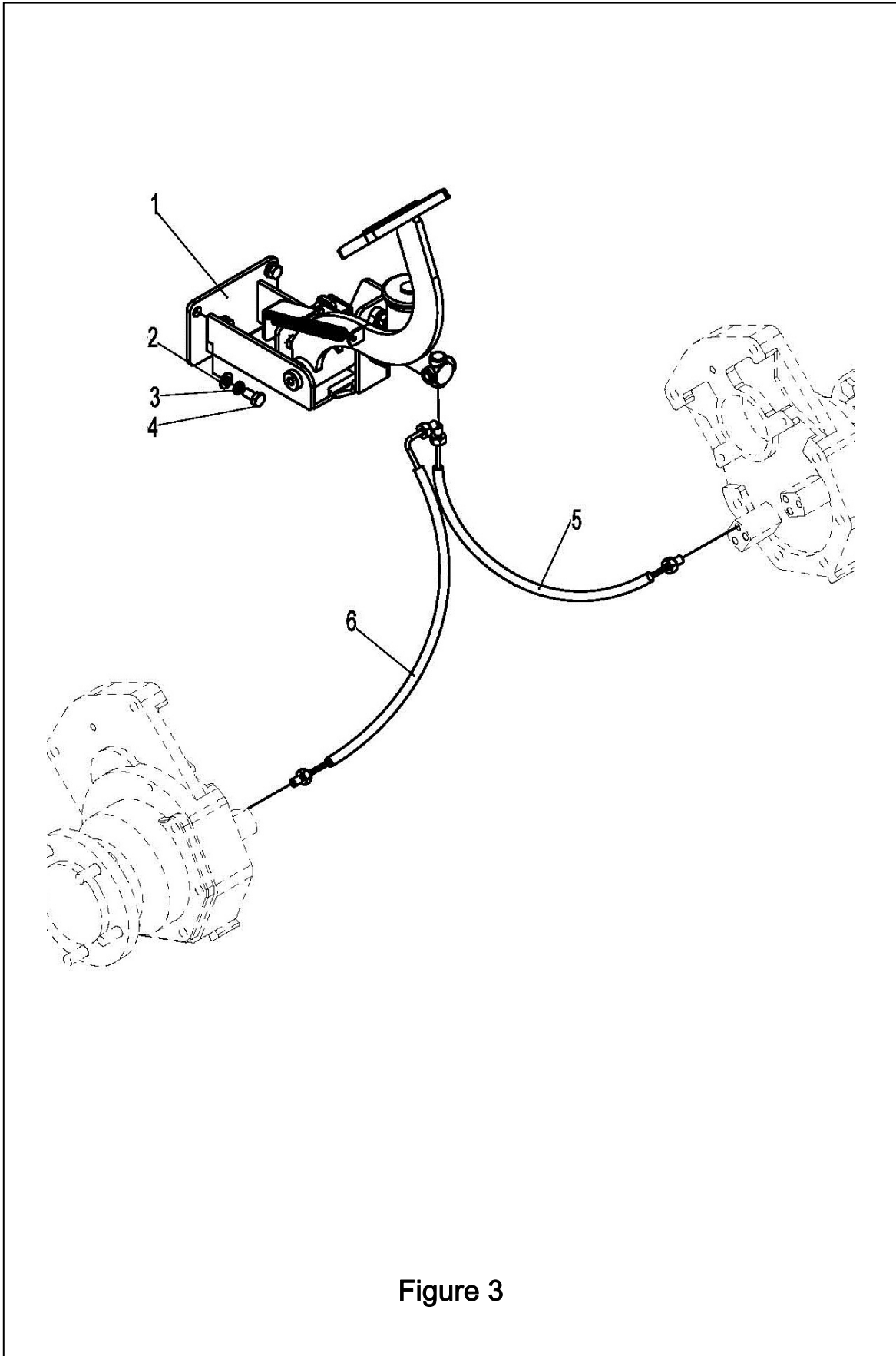


Figure 3

Figure 3**Driving barking**

NO	SN	Name	QTY	Remarks
1	281211511004	Foot brake assembly	1	
2	910400100007	washer GB97.1-10-200HV	4	
3	910400500007	spring washer GB93-10	4	
4	910100300035	nut GB5783-M10x20-8.8	4	
5	281211520012	Gum pipe braking	1	
6	281211520013	Gum pipe braking	1	

Foot brake assembly

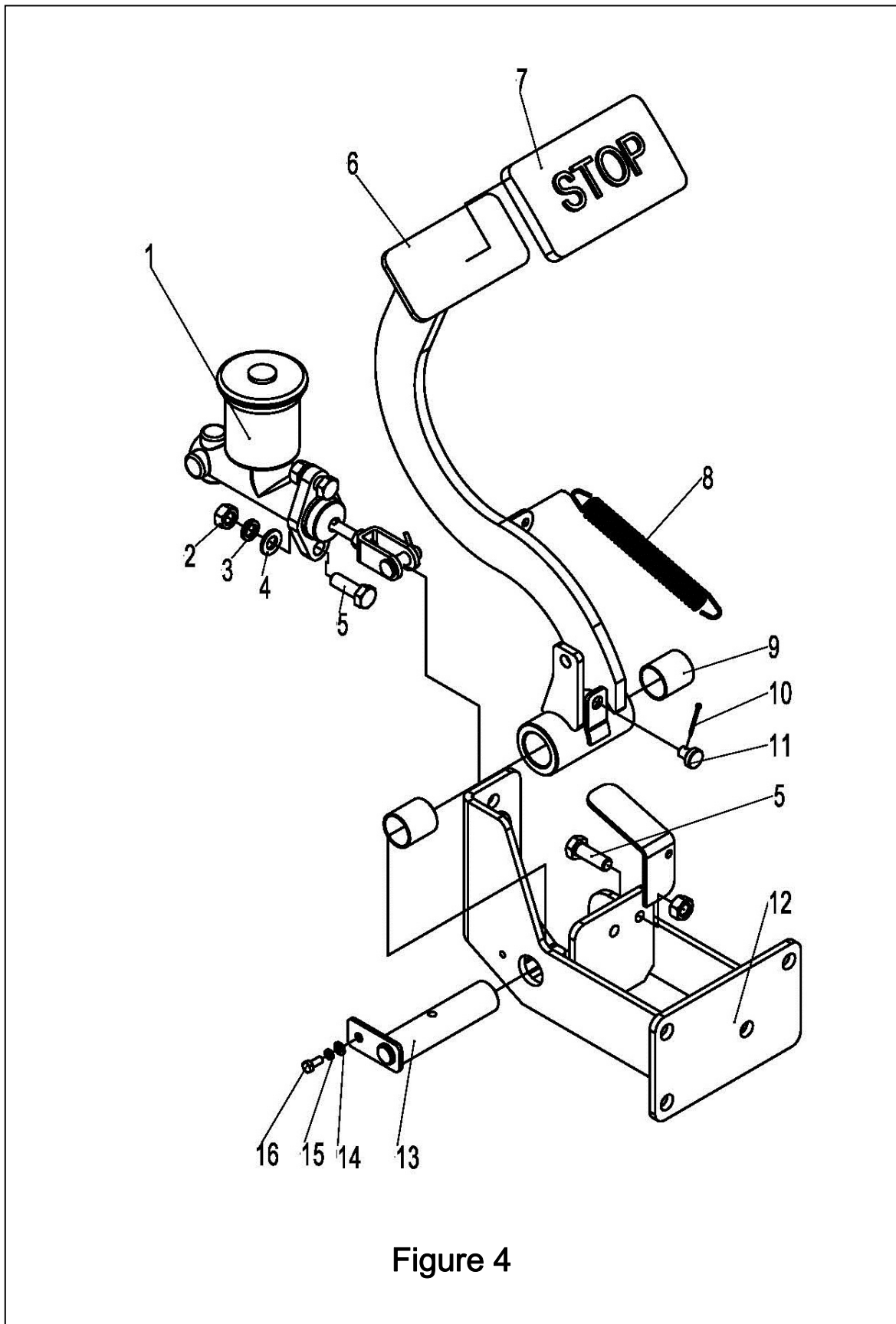


Figure 4

Figure 4**Foot brake assembly**

NO	SN	Name	QTY	Remarks
A	281211511004	Foot brake assembly	1	
1	253511510003	brake master cylinder	1	
2	910300100007	bolt GB6170-M10-10	3	
3	910400500007	spring washer GB93-10	2	
4	910400100007	washer GB97.1-10-200HV	2	
5	910100300037	bolt GB5783-M10x30-8.8	3	
6	281211511002	foot brake pedal	1	
7	281211521019	pedal pad	1	
8	281211521018	foot brake draw spring	1	
9	940500100030	cover Φ 25x Φ 28x30-SF-1	2	
10	910600600015	pin GB91-2x20	1	
11	255011520010	washer	1	
12	281211511001	fixing seat	1	
13	281211511003	foot brake pin roll	1	
14	910400100005	washer GB97.1-6-200HV	1	
15	910400500005	spring washer GB93-6	1	
16	910100300003	nut GB5783-M5x12-8.8	1	

Hand brake assembly

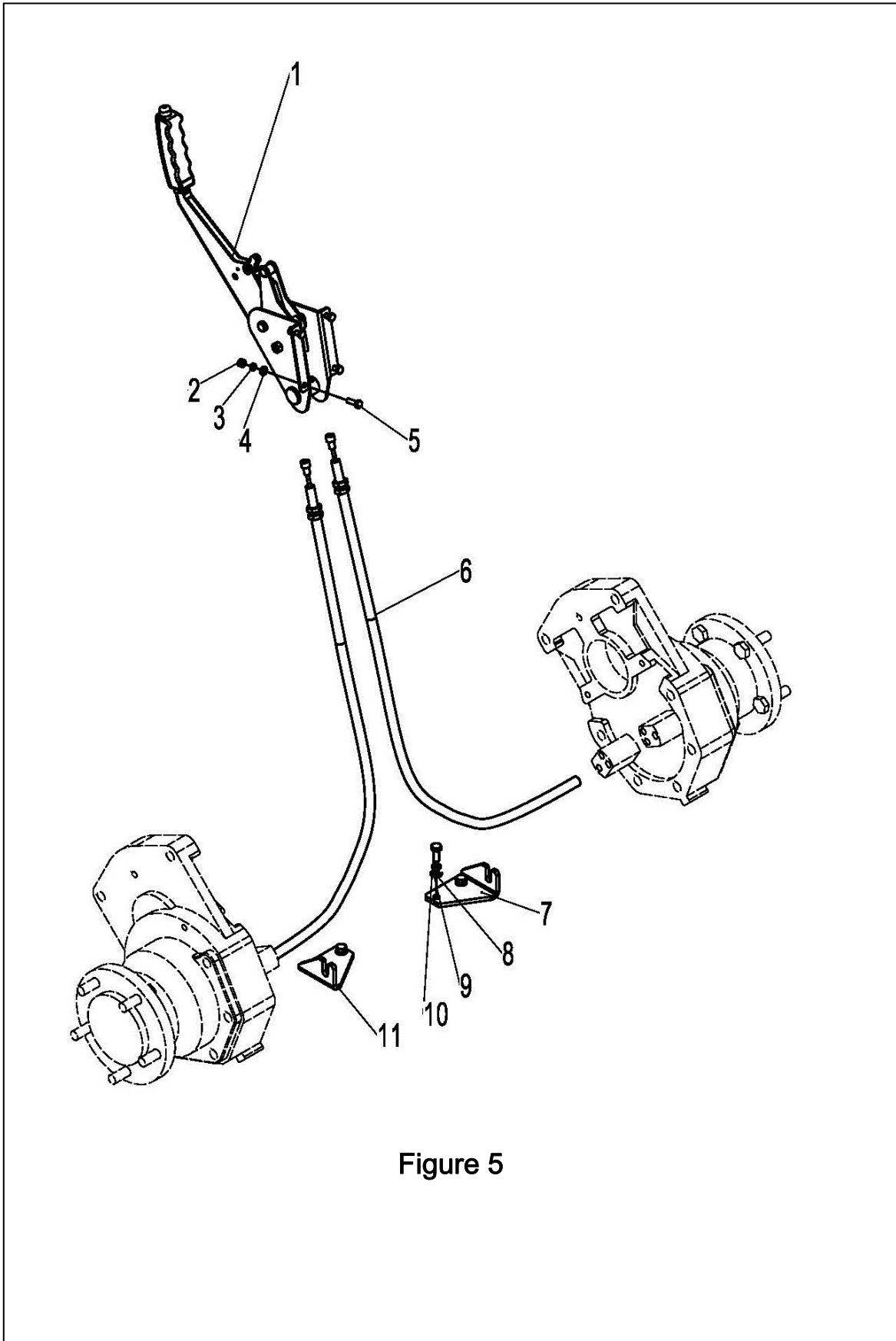


Figure 5

Figure 5 Hand brake assembly

NO	SN	Name	QTY	Remarks
1	281212010002	Hand braking	1	
2	910300100005	Nut GB6170-M6-10	4	
3	910400500005	spring washer GB93-6	4	
4	910400100005	washer GB97.1-6-200HV	4	
5	910100300011	bolt GB5783-M6x20-8.8	4	
6	281211510002	Pipe brake assembly	2	
7	281211521001	Holder 1 (steel tube braking)	1	
8	940400100006	washer GB97.1-8-200HV	4	
9	910400500006	spring washer GB93-8	4	
10	910100300022	bolt GB5783-M8x20-8.8	4	
11	281211521002	Holder 2 (steel tube braking)	1	

Steering device

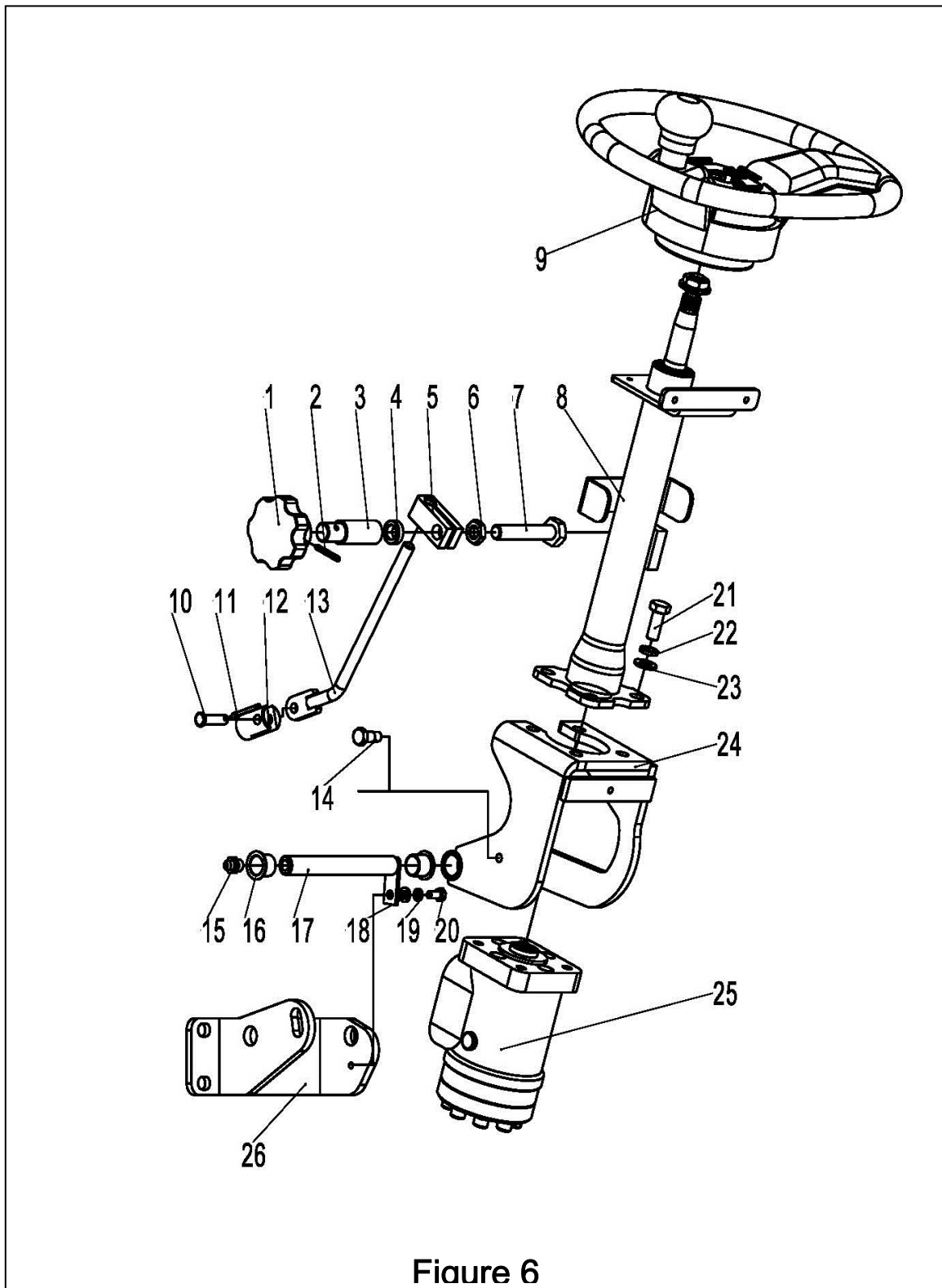


Figure 6

Figure 6

Steering device

NO.	SN	Name	QTY	Remarks
1	911000300001	knob GB7274.4-16x63	1	
2	910600400015	elastic pin GB879.1-4x30	1	
3	253515020017	clamp holder sleeve	1	
4	255015020018	washer $\Phi 20 \times \Phi 12 \times 8$	1	
5	255015020019	Strict lump	1	
6	910300300006	nut GB6172.1-M12-05	1	
7	910100300057	bolt GB5783-M12x70-8.8	1	
8	255015010001	Steeling pipe column	1	
9	255015010003	Steering wheel	1	
10	910600700014	Pin axle GB882-6x26x1.6	1	
11	910600600005	Pin GB91-1.6x10	1	
12	255015020002	Solid seat	1	
13	255015010005	Adjust pole	1	
14	255015020021	Adjust nut	1	
15	911200100004	Oil cup JB7940.1-M10x1	1	
16	940500200016	Recombination cover $\Phi 16 \times \Phi 18 \times 16$ -SF-1	2	
17	255011510003	Axle $\%c16 \times 135$	1	
18	910400100005	washer GB97.1-6-200HV	1	
19	910400500005	spring washer GB93-6	1	
20	910100300009	bolt GB5783-M6x12-8.8	1	
21	910100300036	bolt GB5783-M10x25-8.8	4	
22	910400500007	spring washer GB93-10	4	
23	910400100007	washer GB97.1-10-200HV	4	
24	255015010004	Seat	1	
25	281215010002	Steeling BZZ5-E50BCF-H6	1	
26	281215011004	Seat	1	

Steering axle and installation

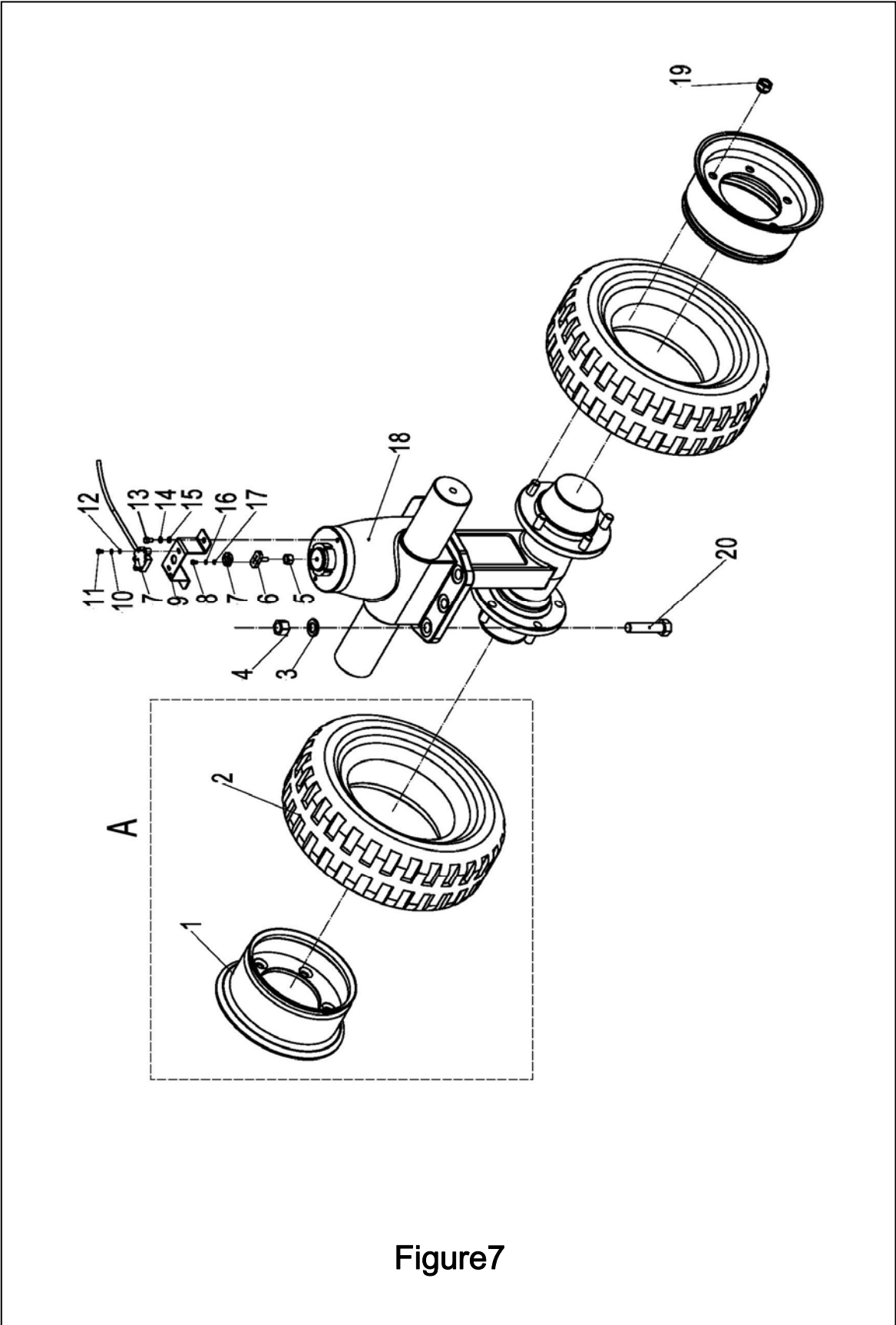


Figure7

Figure7**Steering axle and installation**

NO.	SN	Name	QTY	Remarks
A	281215510001	Steering wheel 15X41/2-8(solid)	2	
	281215510002	Steering wheel 15X41/2-8(environmental)	2	
1	281215511001	tire Rim 3.00D-8	2	
2	281215511002	Tire 15x41/2-8(solid)	2	
	281215511003	Tire 15x41/2-8(environmental)	2	
3	910400100010	washer GB97.1-16-200HV	5	
4	910300500008	Nut GB889.1-M16-10	5	
5	910300100005	Nut GB6170-M6-10	1	
6	281216010001	sensor bracket	1	
7	921800200007	Potentiometer Vert-X	1	
8	910200200003	Bolt GB70.1-M3x12-8.8	2	
9	281216021001	sensor bracket	1	
10	910400500003	spring washer GB93-4	2	
11	910200200016	Bolt GB70.1-M4x20-8.8	2	
12	910400100003	washer GB97.1-4-200HV	2	
13	910200200035	Bolt GB70.1-M6x16-8.8	2	
14	910400500005	spring washer GB93-6	2	
15	910400100005	washer GB97.1-6-200HV	2	
16	910400500002	spring washer GB93-3	2	
17	910400100002	washer GB97.1-3-200HV	2	
18	281216010002	steering axle	1	See figure 8
19	281298516014	Rim nut	10	
20	910100100074	Bolt GB5782-M16x70-8.8	5	

Steering axle

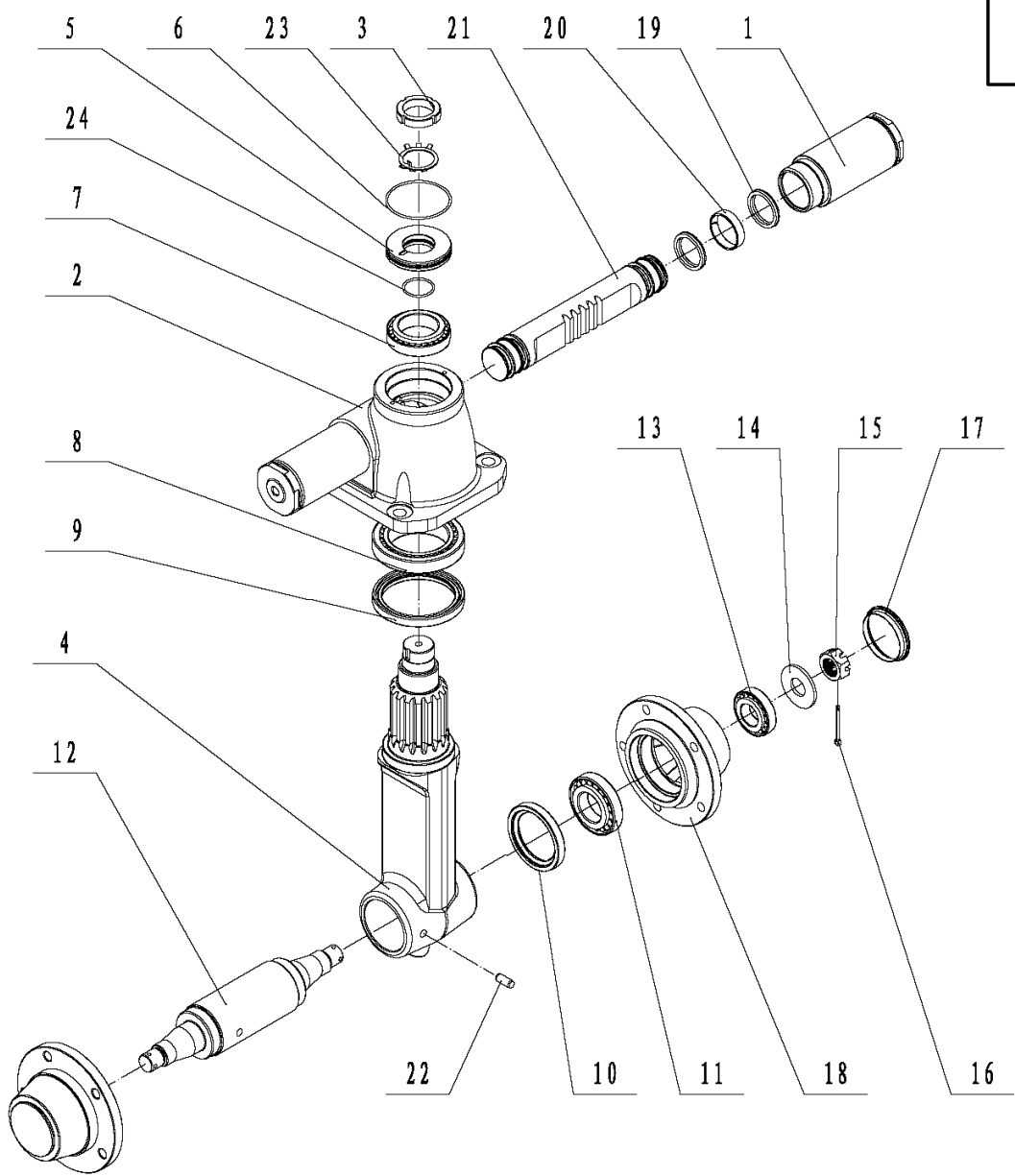


Figure 8

Figure 8**Steering axle**

NO.	SN	Name	QTY	Remarks
A	281216010002	steering axle	1	Inc.1-24
B	281298510007	Seal Fixing bag	1	Inc 6.9.10.19.20.24
1	281298516001	cylinder assembly	1	
2	281298516002	slewing bearing	1	
3	281298516003	nut	1	
4	281298516004	Bearing gear shaft	1	
5	281298516005	bushing	1	
6	▲	O-ring	1	
7	910700600018	bearing	1	
8	281298516006	bearing	1	
9	▲	skeleton oil seal	1	
10	▲	skeleton oil seal	2	
11	910700600004	bearing	2	
12	281298516007	steering wheel shaft	1	
13	▲	bearing	2	
14	910400500013	washer	2	
15	281298516008	nut	2	
16	910600600038	pin	2	
17	281298516009	Wheel rim cover	2	
18	281216020010	rim	2	
19	▲	U type sealing ring	4	
20	▲	support ring	2	
21	281298516011	piston rod body	1	
22	281298516012	cylindrical pin	1	
23	281298516013	round nuts with washer	1	
24	▲	O-ring	1	

Accelerator and installation

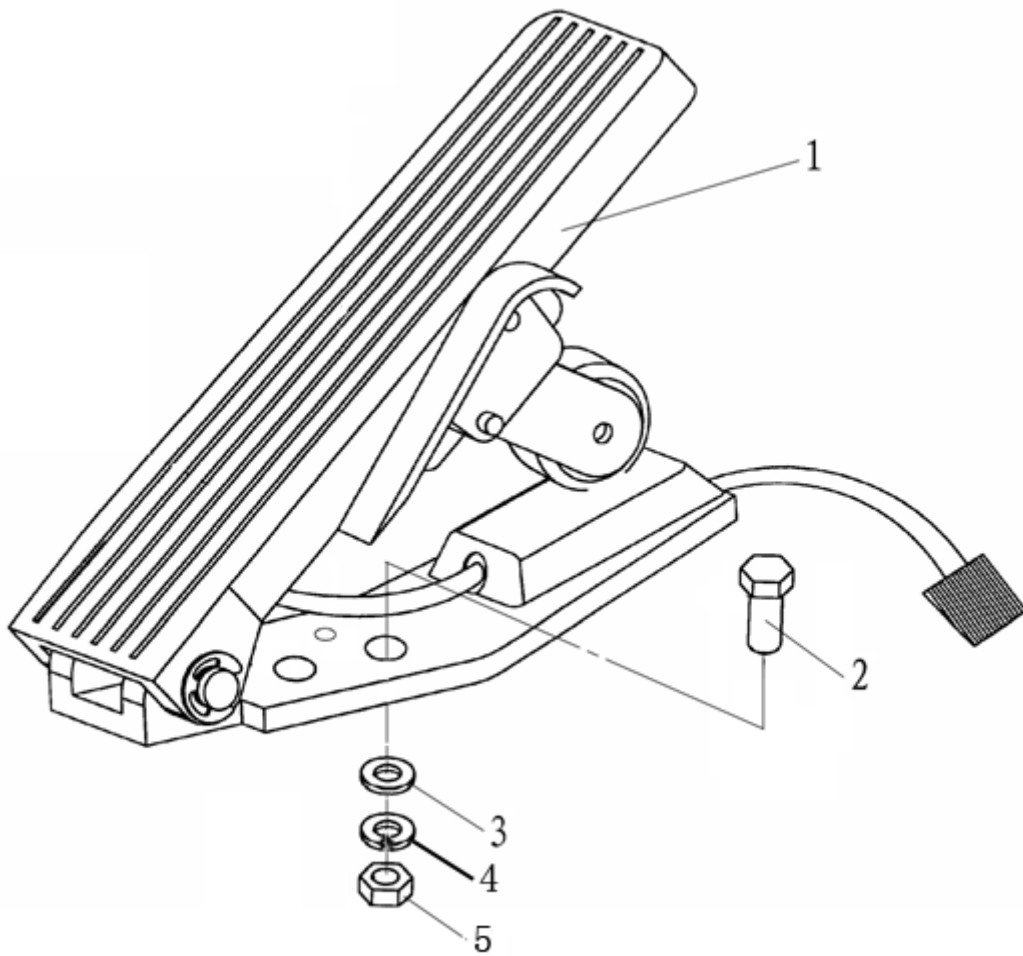


Figure 9

Figure 9 Accelerator and installation

NO.	SN	Name	QTY	Remarks
1	921700100005	Accelerator FZ3-532-133	1	
2	910100300023	Bolt GB5783-M8x25-8.8	2	
3	910400500006	Spring washer GB93-8	2	
4	910400100006	Washer GB97.1-8-200HV	2	
5	910300100006	Nut GB6170-M8-10	2	

Lifting motor and installation

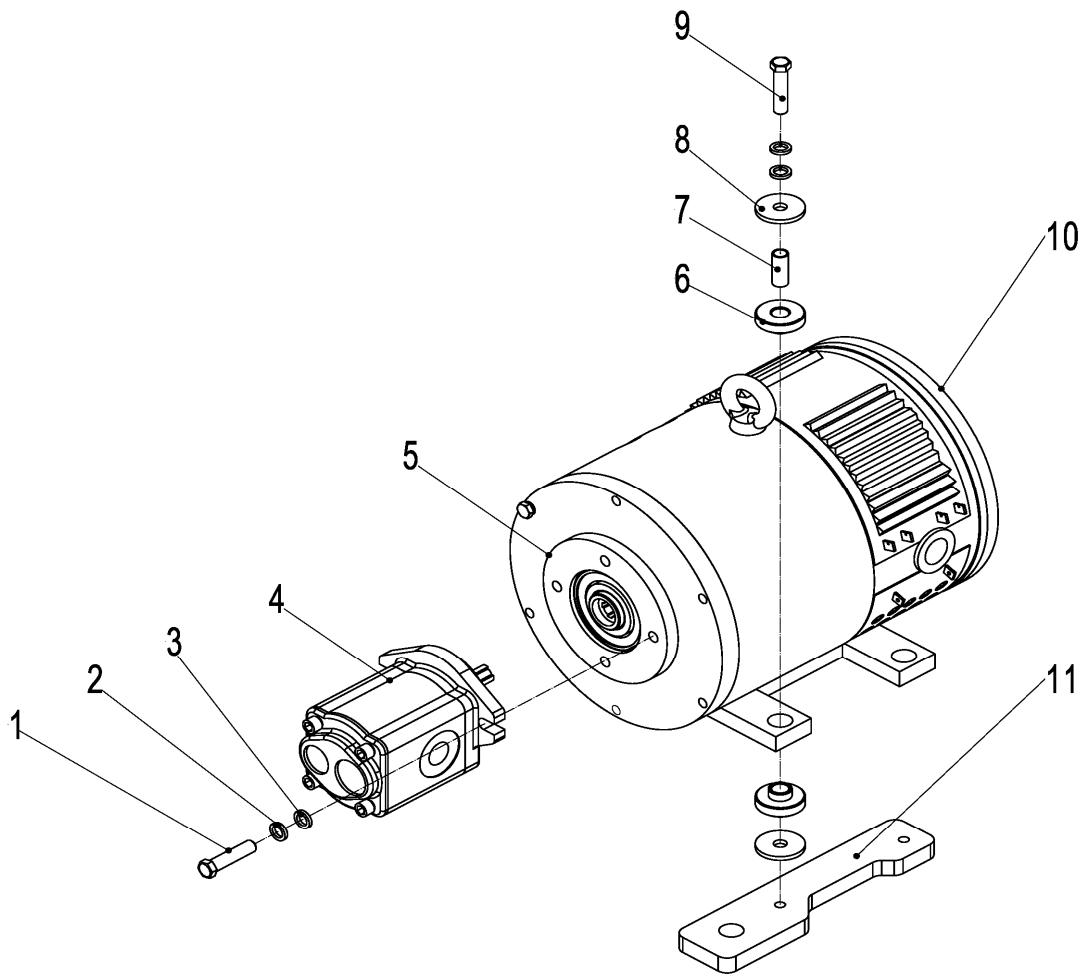


Figure 10

Figure 10 Lifting motor and installation

NO.	SN	Name	QTY	Remarks
1	910100300039	Bolt GB5783-M10x40-8.8	2	
2	910400500007	spring washer GB93-10	6	
3	910400100007	washer GB97.1-10-200HV	2	
4	255023510006	Wheel gear pump	1	
5	920900100052	Electrical machine HPB8.6-4NL3D	1	
6	255032520003	washer	8	
7	255032520001	Cover	4	
8	255032520002	washer $\phi 40 \times \phi 11 \times 4$	4	
9	910100100034	Bolt GB5782-M10x55-8.8	4	
10	255098513251	Coding machine SNDH-T4L-G01	1	
11	281232521001	Board(lifting motor)	1	

hood installation

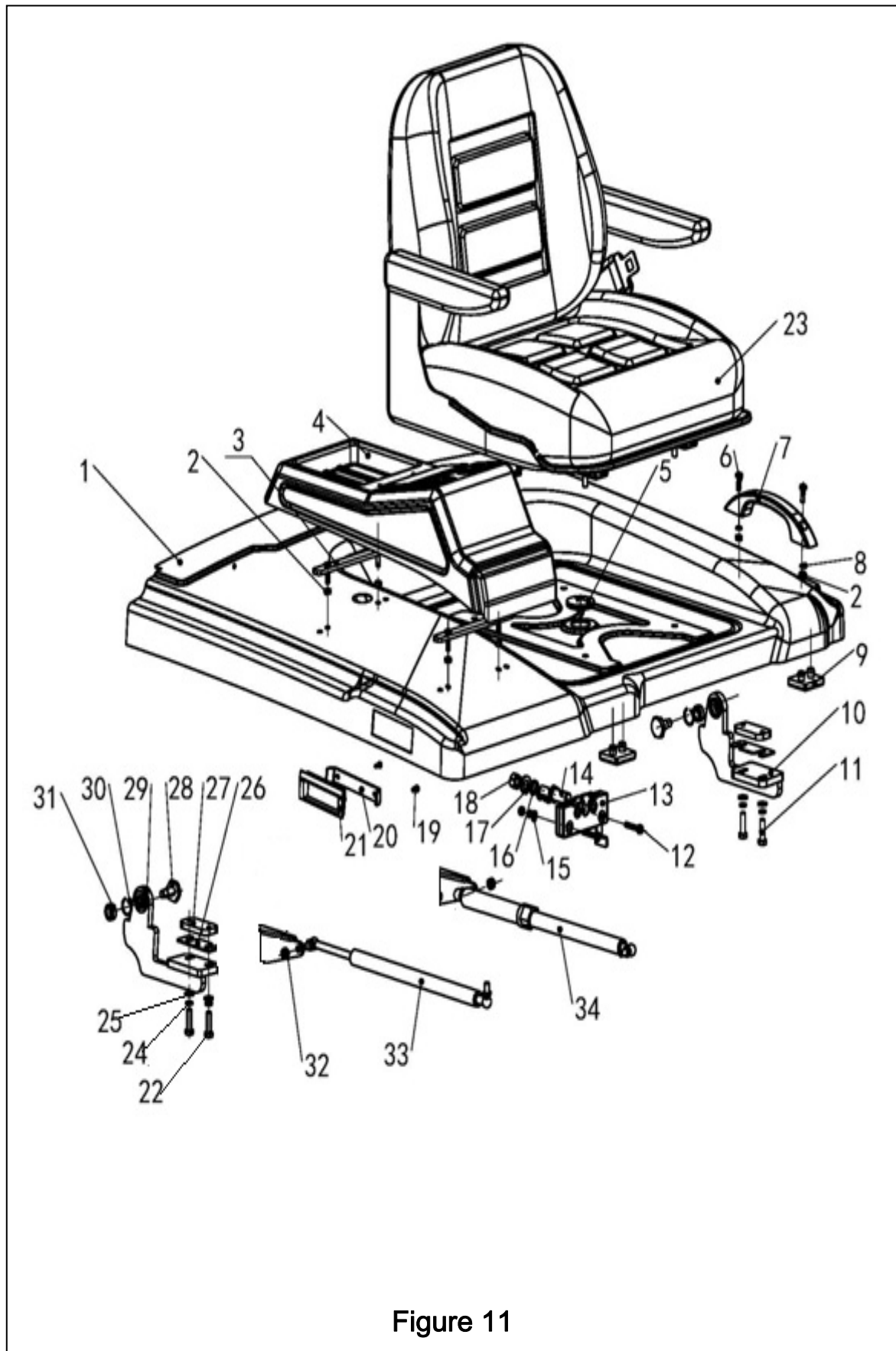


Figure 11

Figure 11

hood installation

NO.	SN	Name	QTY	Remarks
1	281221010002	battery upper cover	1	FE3D16-18
	281321010002	battery upper cover	1	FE3D20
2	910300100005	Nult GB6170-M6-10	8	
3	255021010016	welded back floor	2	
4	255021020003	Decorate cover	1	
5	255021020046	Safe ring ϕ 35	1	
6	910200500053	Nult GB818-M6x20-4.8	2	
7	255021020020	knob	1	
8	910400500005	spring washer GB93-6	4	
9	253521020013	washer	2	
10	281221010005	welded hinge	1	
11	910100300024	Nult GB5783-M8x30-8.8	4	
12	910200500056	Nult GB818-M6x35-4.8	2	
13	255021010010	Lock upper cover	1	
14	255021020052	Lock	1	
15	910400100005	washer GB97.1-6-200HV	2	
16	910400500008	spring washer GB93-12	1	
17	910400100008	washer GB97.1-12-200HV	1	
18	910300100008	Nult GB6170-M12-10	1	
19	910200500021	Nult GB818-M4x10-4.8	2	
20	255021020055	Fixing Board	1	
21	255021020021	Knob(inside)	1	
22	910100300023	Bolt GB5783-M8x25-8.8	6	
23	251037510001	Seat (Bengfeng BF1-ABC)	1	
	255037510001	Seat (Bengfeng BF2-2(A))	1	Select install
24	910400500006	spring washer GB93-8	10	
25	910400100006	washer GB97.1-8-200HV	10	

hood installation

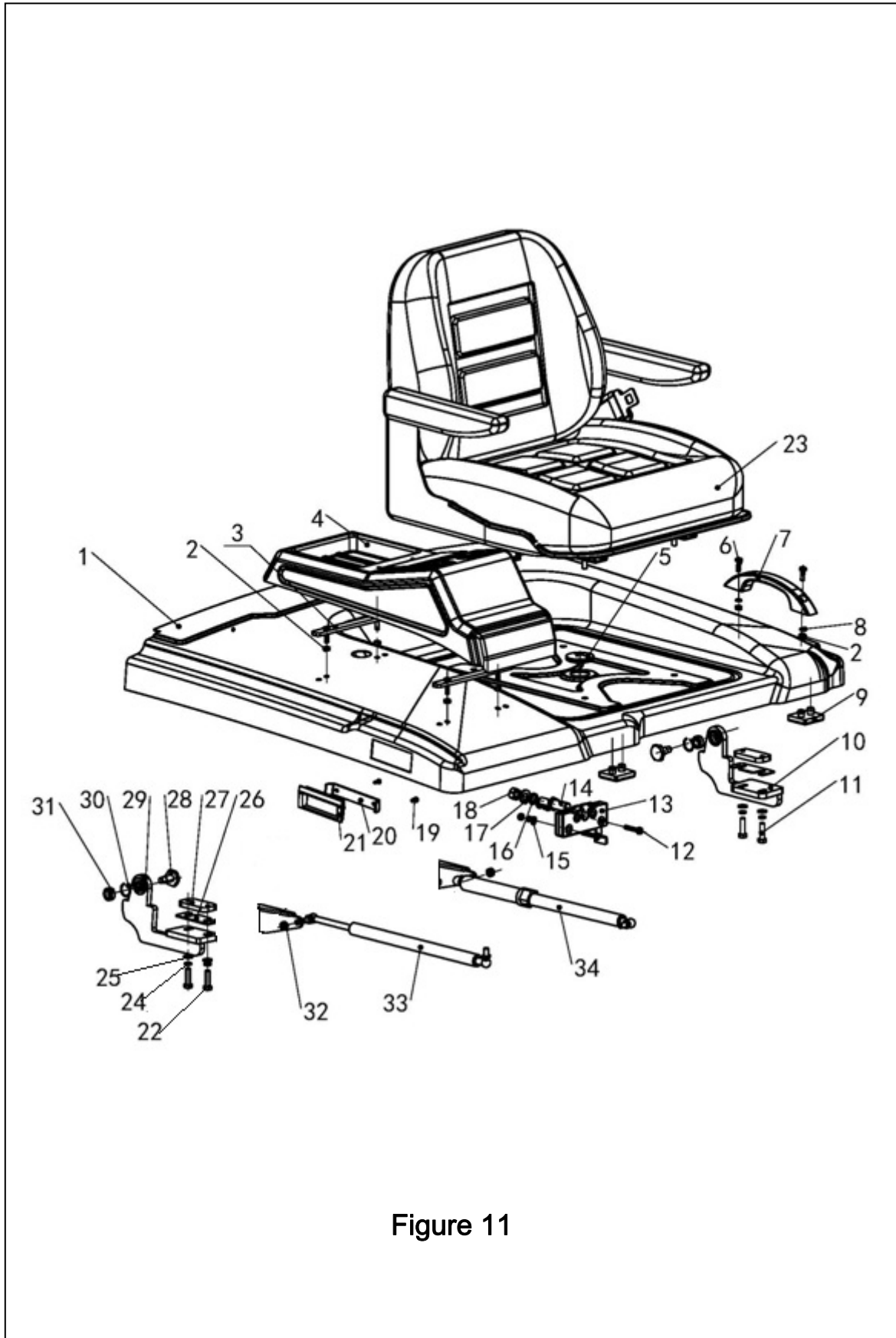


Figure 11

Figure 11**hood installation**

NO.	SN	Name	QTY	Remarks
26	255021020054	washe	2	
27	255021020045	Board	2	
28	255021020043	Bolt	2	
29	281221010006	welded hinge	1	
30	910401500001	Hole using ring GB895.1-22	2	
31	255021010014	Axle GE12E	2	
32	910300100006	Nut GB6170-M8-10	2	
33	940400100028	Spring 350N(D200)	1	
34	940400100029	Spring 350N(D200)	1	

offside door

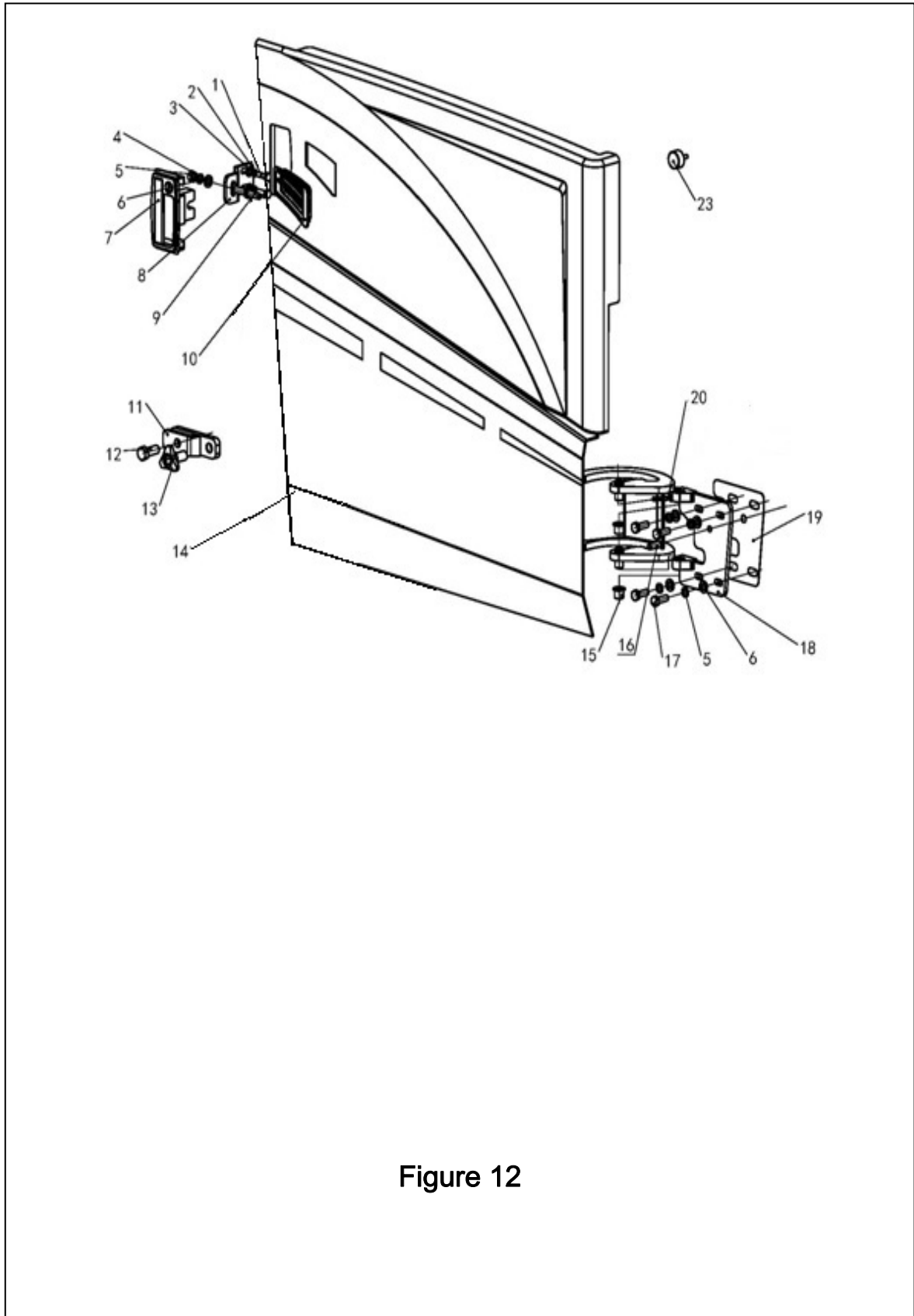


Figure 12

Figure 12**Offside door**

NO.	SN	Name	QTY	Remarks
1	910100300023	Bolt GB5783-M8x25-8.8	2	
2	910400500006	spring washer GB93-8	2	
3	910400100006	Washer GB97.1-8-200HV	2	
4	910300100007	Nut GB6170-M10-10	1	
5	910400500007	spring washer GB93-10	5	
6	910400100007	Washer GB97.1-10-200HV	5	
7	255021010009	Door lock	1	
8	255021020039	Fixing board	1	
9	255021020040	Lock	1	
10	505621520041	Hole	1	
11	255021010007	welded Limit seat	1	
12	910100300063	Nut GB5783-M14x35-8.8	2	
13	255021020059	Knob	1	
14	281221010001	welded door	1	FE3D16-18
	281321010001	welded door	1	FE3D20
15	940500200016	Cover 16x18x16-SF-1	2	
16	910600100031	pin GB119.2-10x30	1	
17	910100300037	Nut GB5783-M10x30-8.8	4	
18	255021010004	welded hinge	1	
19	255021020044	Cover	1	
20	255021020042	Bolt	1	
21	255021020041	Limit board	1	
22	910100300014	Bolt GB5783-M6x35-8.8	1	
23	505618020016	Cover	1	

Left side door

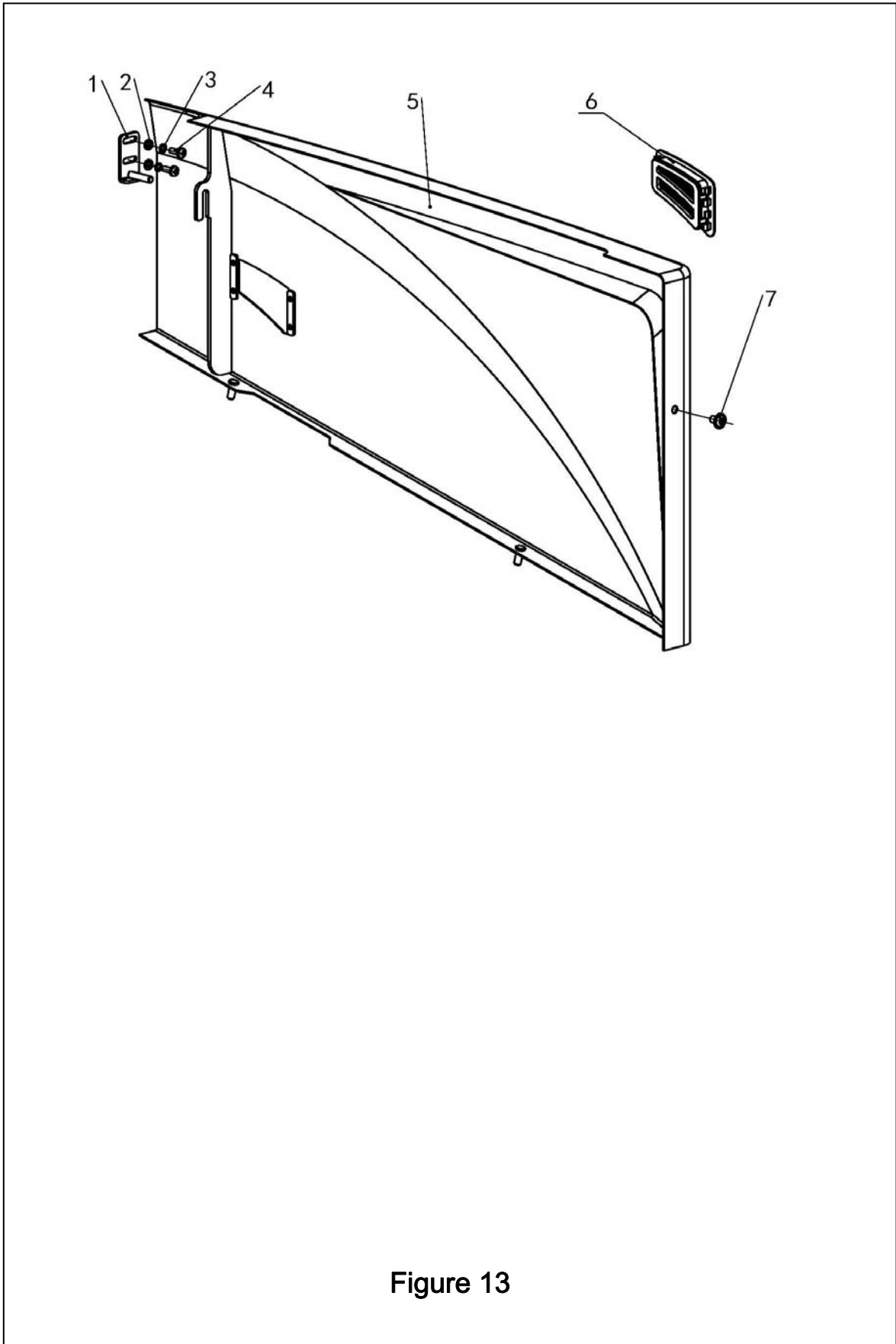


Figure 13

Figure 13**Left side door**

NO.	SN	Name	QTY	Remarks
1	255021010015	welded pothook	1	
2	910400100005	washer GB97.1-6-200HV	2	
3	910400500005	spring washer GB93-6	2	
4	910200500052	Nut GB818-M6x16-4.8	2	
5	281221010003	welded door	1	FE3D16-18
	281321010003	welded door	1	FE3D20
6	505621510004	Hole	1	
7	255021020060	Bolt	1	

Valve cover

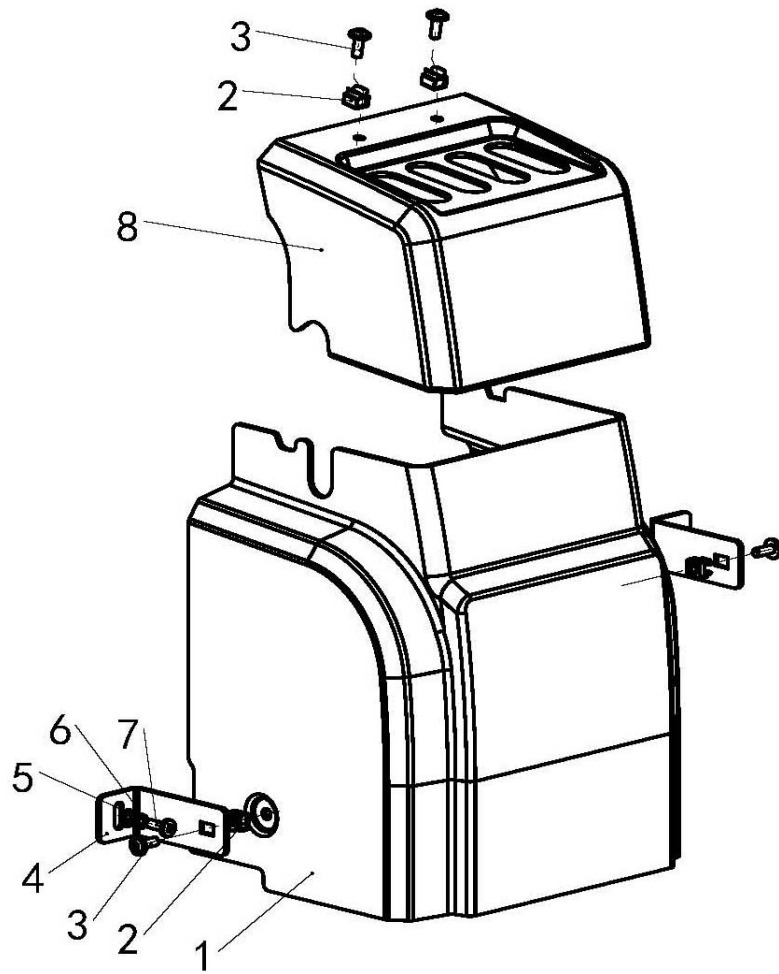


Figure 14

Figure 14**Valve cover**

NO.	SN	Name	QTY	Remarks
1	281221021002	Safeguard cover	1	
2	255021020058	M6 nut	4	
3	941100100009	Bolt M6x16-4.8	4	
4	255021020051	Holder	2	
5	910400100005	washer GB97.1-6-200HV	2	
6	910400500005	spring washer GB93-6	2	
7	910200500053	Nut GB818-M6x20-4.8	4	
8	281221021001	Safeguard cover	1	

Frame assembly

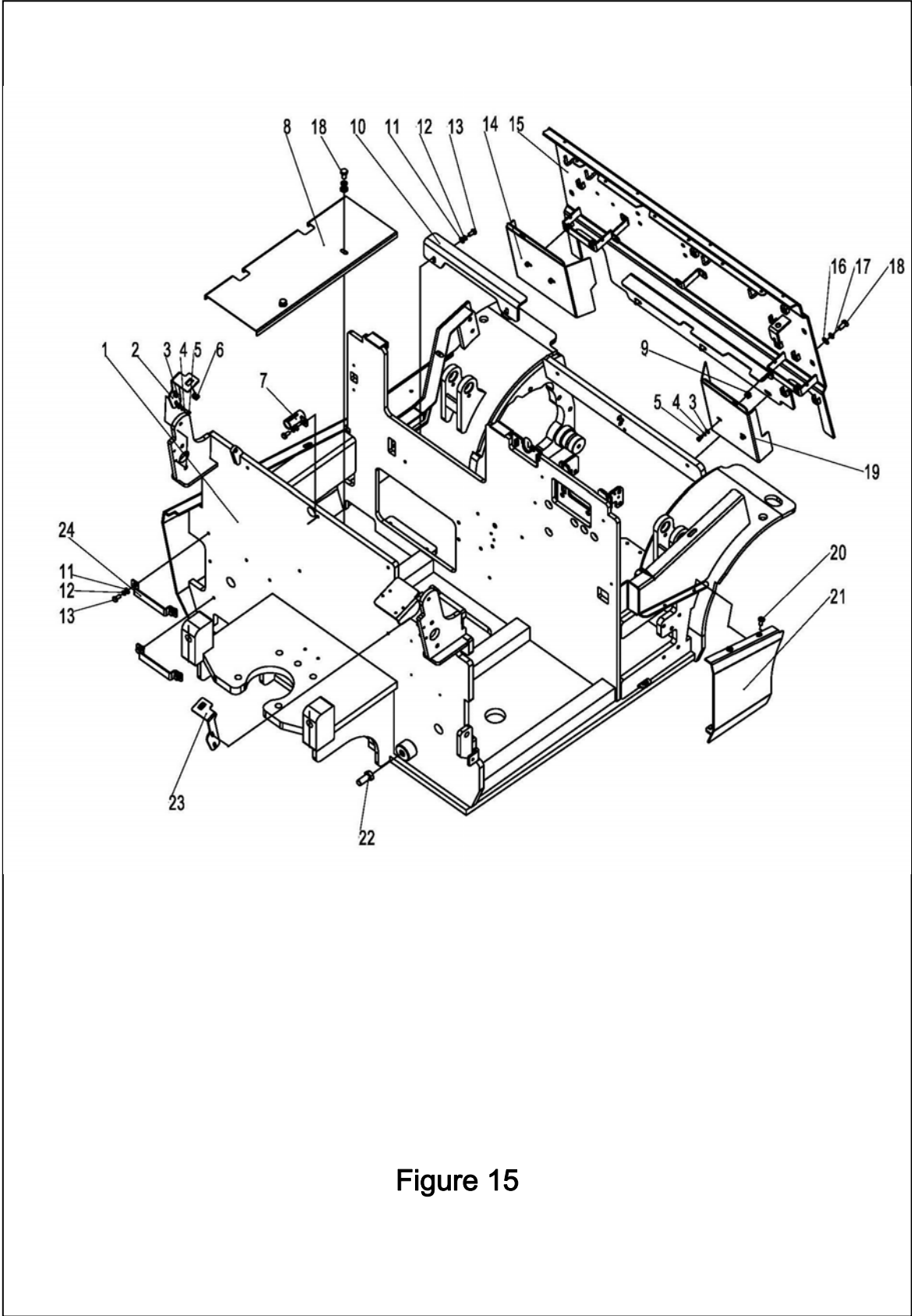


Figure 15

Figure 15

Frame assembly

NO.	SN	Name	QTY	Remarks
1	281221511001	Welded frame	1	
2	281221521062	Holder	1	
3	910400100005	Washer GB97.1-6-200HV	8	
4	910400500005	spring washer GB93-6	8	
5	910100300009	Bolt GB5783-M6x12-8.8	8	
6	940801500002	M8 nut	2	
7	281221511011	Welded Valve pole seat	1	
8	281221521052	Cover	1	
9	255021020058	M6 nut	4	
10	281221521082	Flxation board	1	
11	910400100006	Washer GB97.1-8-200HV	7	
12	910400500006	spring washer GB93-8	7	
13	910100300020	Bolt GB5783-M8x16-8.8	7	
14	281221511004	Welded cover	1	
15	281221511009	Welded instrument shelf	1	
16	910400100007	Washer GB97.1-10-200HV	5	
17	910400500007	spring washer GB93-10	5	
18	910100300035	Bolt GB5783-M10x20-8.8	5	
19	281221511006	Welded cover	1	
20	910200300024	Nut GB70.2-M8x16-8.8	2	
21	281221511005	Welded board	1	
22	910100300069	Bolt GB5783-M16x35-8.8	2	
23	281221521062	Support	1	
24	281221521051	Support	2	

Overhead guard and installation

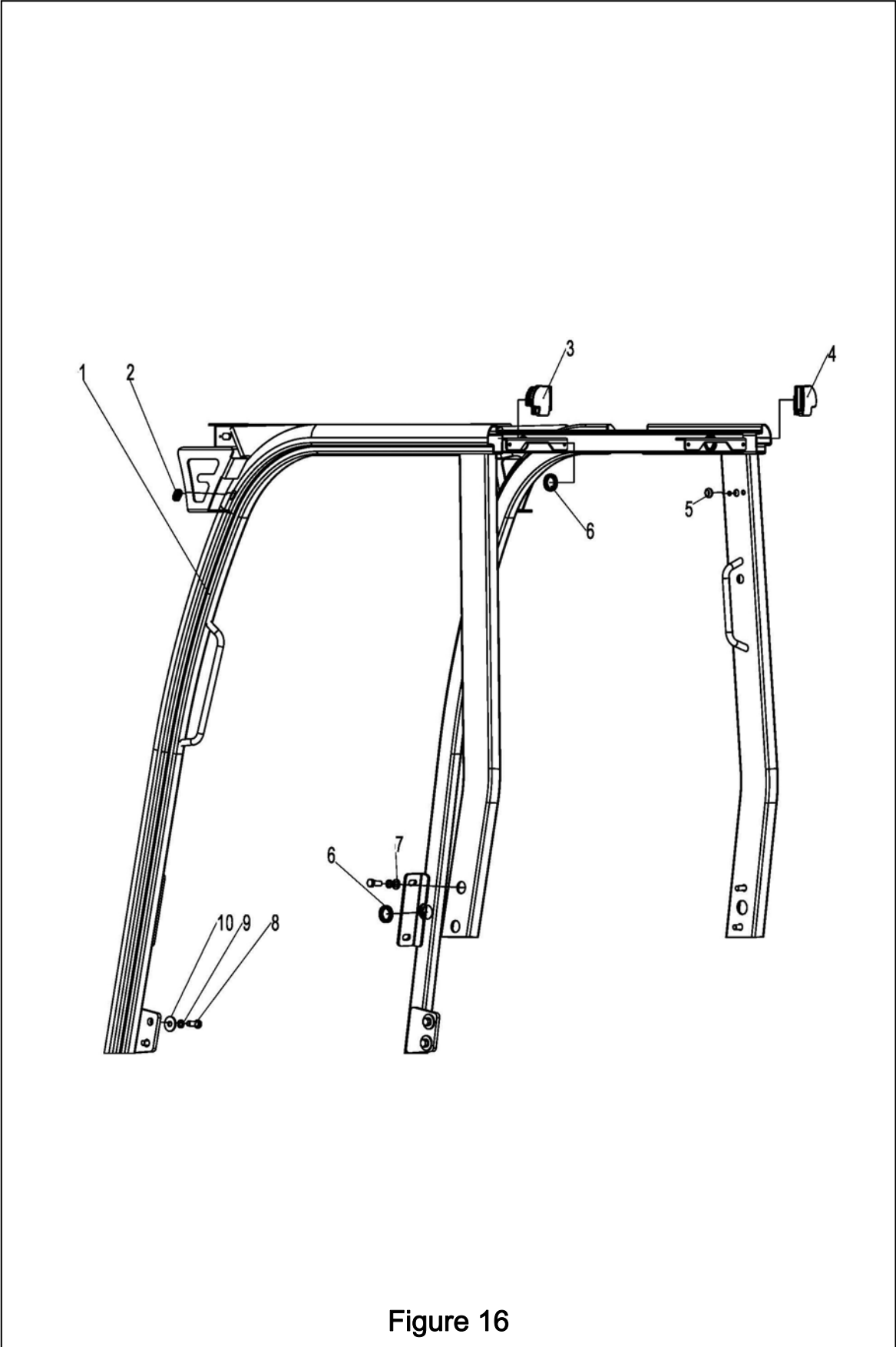


Figure 16

Figure 16**Overhead guard and installation**

NO.	SN	Name	QTY	Remarks
1	281222011001	overhead guard	1	
2	255022020003	Big light wire gasket	2	
3	255022020001	Safeguard cover	1	
4	255022020002	Safeguard cover	1	
5	252022020050	socket wire gasket	1	
6	255022020004	Tail light wire gasket	2	
7	910400100008	washer GB97.1-12-200HV	4	
8	910100300050	Bolt GB5783-M12x30-8.8	8	
9	910400500008	spring washer GB93-12	8	
10	910400200005	washer GB96.1-12-200HV	4	

Counter weight assembly

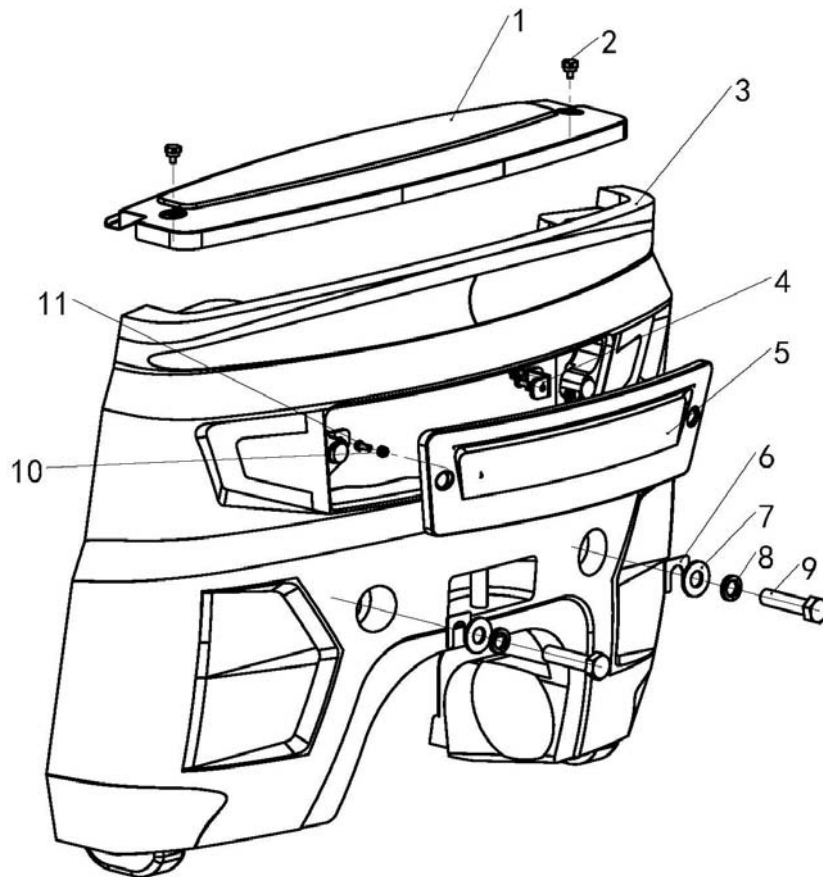


Figure 17

Figure 17 Counter weight assembly

NO.	SN	Name	QTY	Remarks
1	281223021002	cover	1	
2	281223021006	bolt	2	
3	281123020001	Weight for balance (1.6t)	1	FE3D16
	281223020001	Weight for balance (1.8t)	1	FE3D18
	281323020001	Weight for balance (2.0t)	1	FE3D20
4	281223021005	Holder	2	
5	281223011001	Welded cover	1	
6	251023020003	washer	2	
7	255023020007	washer $\Phi 54 \times \Phi 25 \times 4$	2	
8	910400500013	spring washer GB93-24	2	
9	910100100101	bolt GB5782-M24x100-8.8	2	
10	910300500004	Nut GB889.1-M8-10	2	
11	910100300022	bolt GB5783-M8x20-8.8	2	

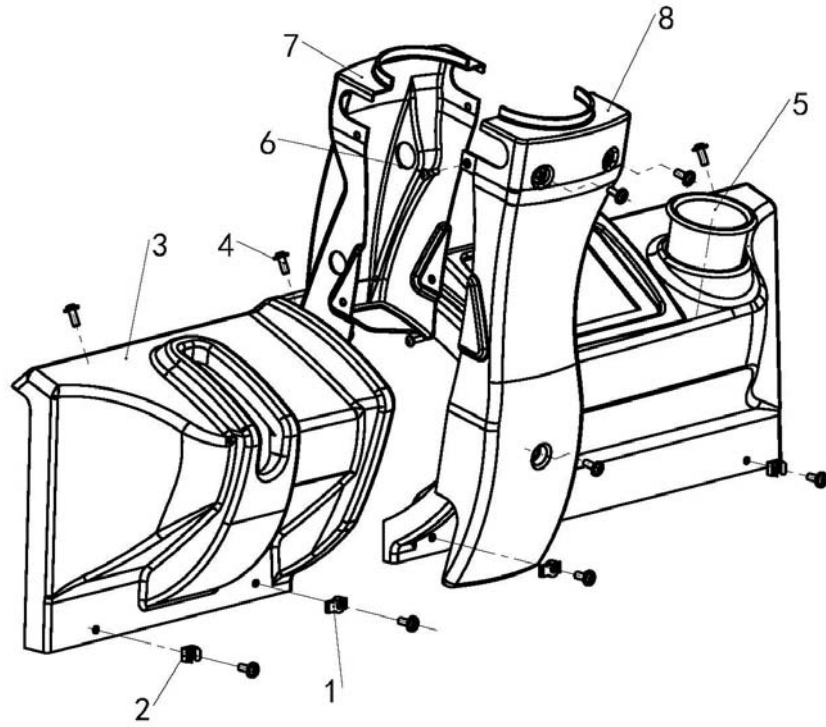


Figure 18

Figure 18**Control panel**

NO.	SN	Name	QTY	Remarks
1	255010020009	Spring nut M6	10	
2	255021020058	M6 nut	2	
3	281210021001	Shield (Curtis)	1	
	281210022001	Shield (inmotion)	1	Select install
4	941100100009	Bolt M6x12-8.8	19	
5	255010020004	Tool box	1	
6	910200500040	Nut GB818-M5x16-4.8	2	
7	255010020005	Front cover	1	
8	255010020006	Rear cover	1	

Multiple directional control valve (bigeminy)

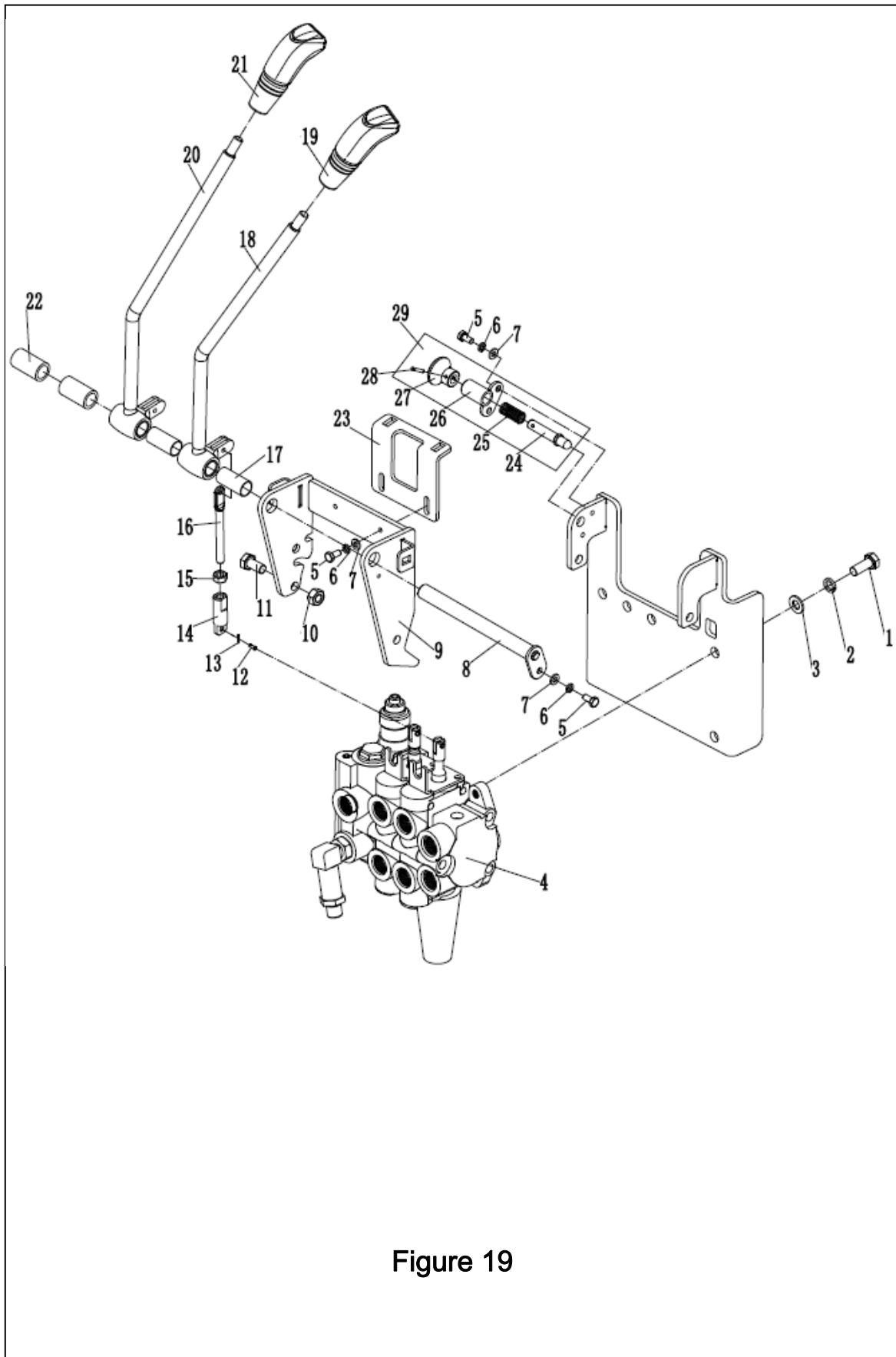


Figure 19

Figure 19 Multiple directional control valve (bigeminy)

NO.	SN	Name	QTY	Remarks
1	910100300036	Bolt GB5783-M10x25-8.8	3	
2	910400500007	spring washer GB93-10	6	
3	910400100007	washer GB97.1-10-200HV	6	
4	281224511002	Multi way valve (two combined)	1	
5	910100300009	Bolt GB5783-M6x12-8.8	5	
6	910400500005	spring washer GB93-6	7	
7	910400100005	washer GB97.1-6-200HV	9	
8	255024510009	Axle Φ 16x168	1	
9	281224511001	Frame assembly	1	
10	910300500005	Nut GB889.1-M10-10	2	
11	910100300035	Bolt GB5783-M10x20-8.8	2	
12	941100800001	Axle B4.75x20-c1B	4	
13	910600600011	Axle GB91-2x12	4	
14	255025020003	joint	2	
15	910300100006	Nut GB6170-M8-10	2	
16	255024520017	Link pole	2	
17	940500100006	Cover Φ 16x Φ 18x15-SF-1	4	
18	255024510004	Welded joystick(lifting)	1	
19	255024520022	Handle ball(lifting)	1	
20	255024510005	Welded joystick(slope)	1	
21	255024520023	Handle ball(slope)	1	
22	253524520005	Cover	2	
23	281224521001	Fixing plate	1	
24	255024520014	Handle Axle ϕ 10x60	1	
25	255024520013	Spring	1	
26	255024510003	Axle ϕ 18x27.5	1	
27	255024520015	Handle	1	
28	910600400004	Spring axle GB879.1-3x16	1	
29	255024510006	Handle	1	

Multiple directional control valve (trigeminy)

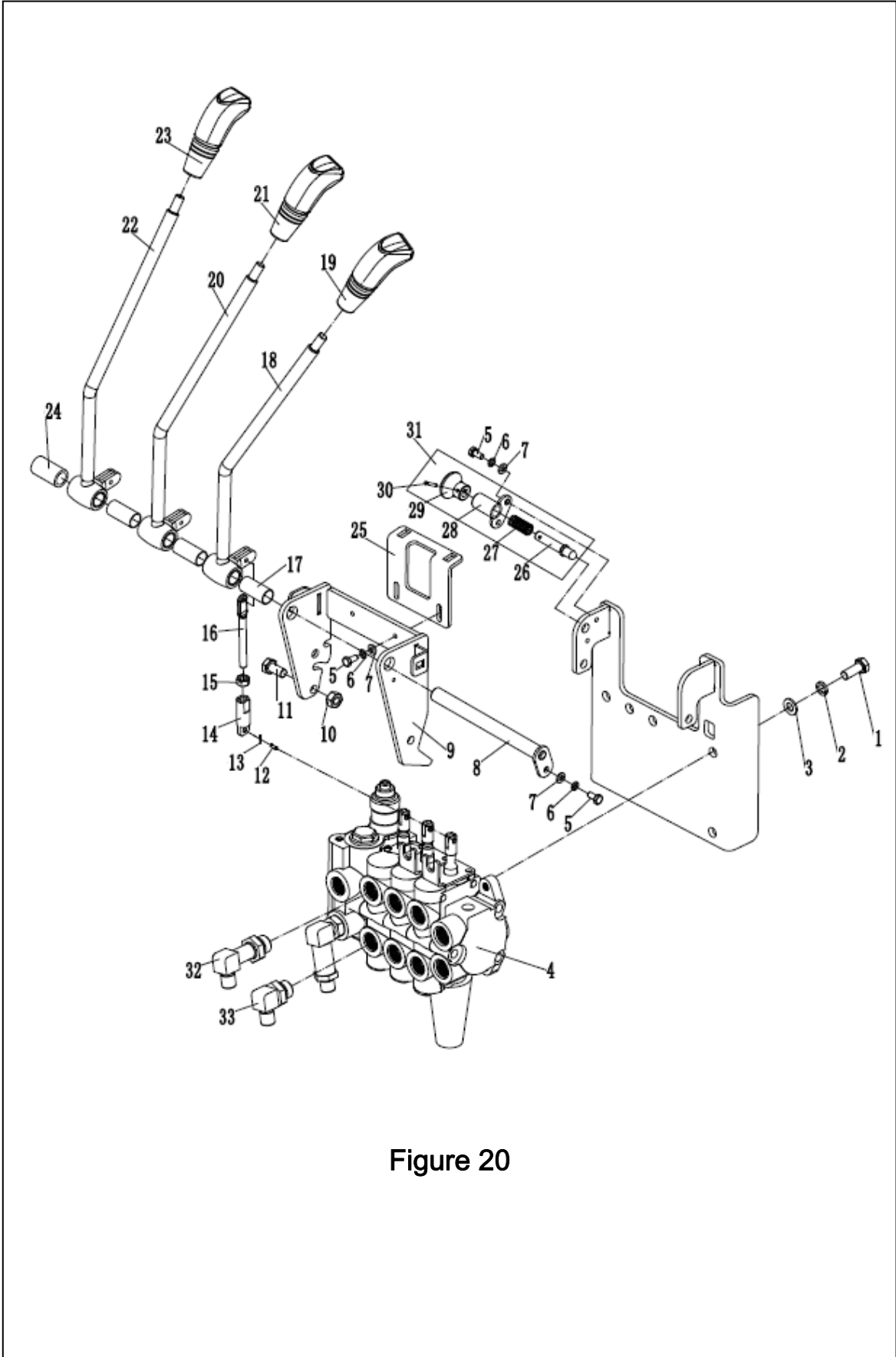


Figure 20

Figure 20 Multiple directional control valve (trigeminy)

NO.	SN	Name	QTY	Remarks
1	910100300036	Bolt GB5783-M10x25-8.8	3	
2	910400500007	spring washer GB93-10	6	
3	910400100007	washer GB97.1-10-200HV	6	
4	281225011002	Multi way valve (three combined)	1	
5	910100300009	Bolt GB5783-M6x12-8.8	5	
6	910400500005	spring washer GB93-6	7	
7	910400100005	washer GB97.1-6-200HV	9	
8	255024510009	Axle Φ 16x168	1	
9	281224511001	Frame assembly	1	
10	910300500005	Nut GB889.1-M10-10	2	
11	910100300035	Bolt GB5783-M10x20-8.8	2	
12	941100800001	Axle B4.75x20-c1B	6	
13	910600600011	Axle GB91-2x12	6	
14	255025020003	Joint	3	
15	910300100006	Nut GB6170-M8-10	3	
16	255024520017	Joint	3	
17	940500100006	Sleeve Φ 16x Φ 18x15-SF-1	6	
18	255024510004	Control lever welding (lifting)	1	
19	255024520022	Handle ball (lifting)	1	
20	255024510005	Control lever welding (slope)	1	
21	255024520023	Handle ball(slope)	1	
22	255025010001	Control lever welding (accessory 1)	1	
23	255025020002	Handle ball (accessory 1)	1	
24	253524520005	Sleeve	1	
25	281224521001	Fixing seat	1	
26	255024520014	Handle axle Φ 10x60	1	
27	255024520013	Spring	1	
28	255024510003	Axle Φ 18x27.5	1	
29	255024520015	Handle	1	

Multiple directional control valve (trigeminy)

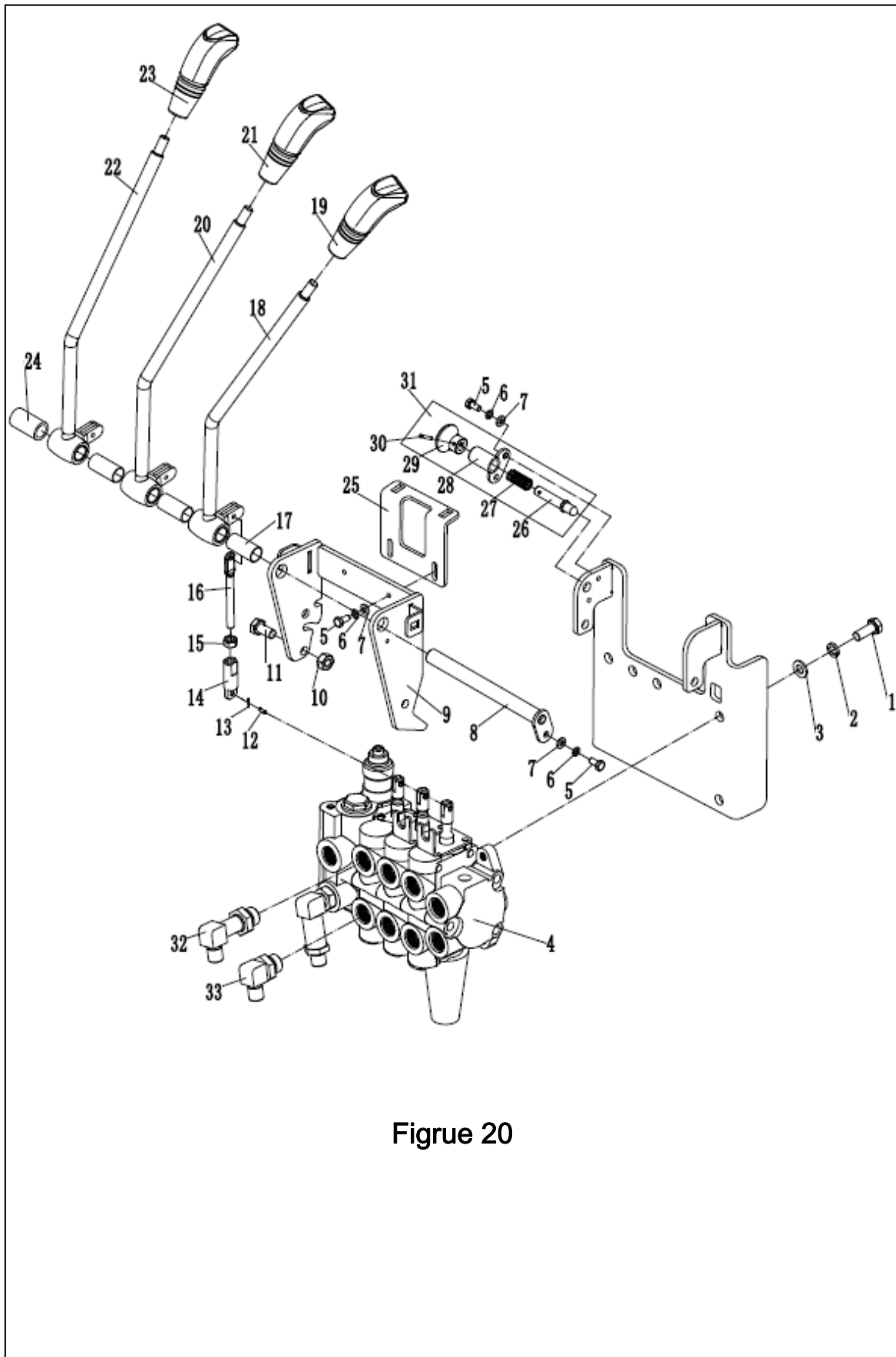


Figure 20

Figure 20 Multiple directional control valve (trigeminy)

NO.	SN	Name	QTY	Remarks
30	910600400004	Dowel pin GB879.1-3x16	1	
31	255024510006	Handle assembly	1	
32	281225010001	Joint 10-M20x1.5-M16x1.5-60°	1	
33	255023510007	Joint 10-M20x1.5-M16x1.5-60°	1	

Multiple directional control valve(four joint)

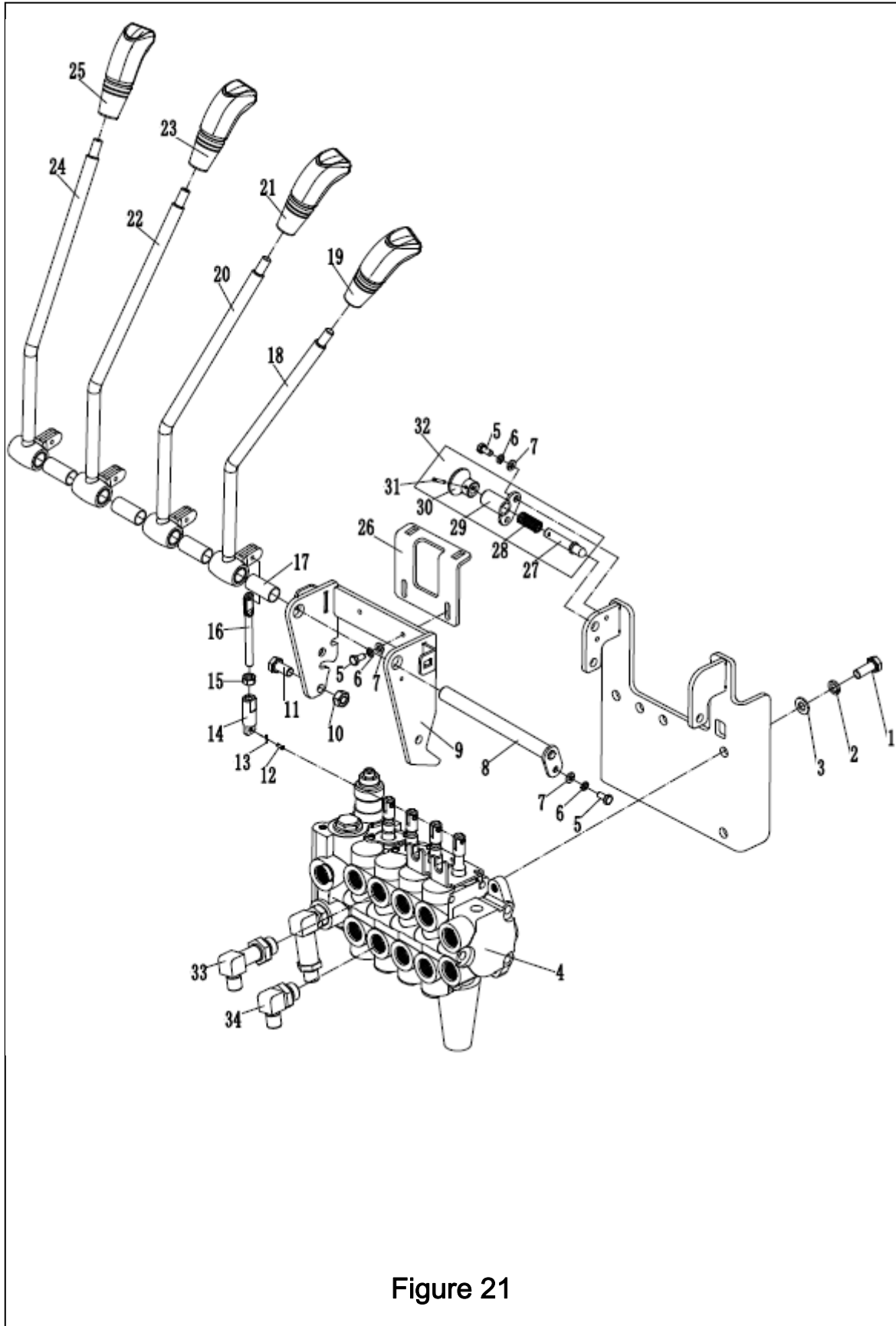


Figure 21

Figure 21 Multiple directional control valve(four joint)

NO.	SN	Name	QTY	Remarks
1	910100300036	Bolt GB5783-M10x25-8.8	3	
2	910400500007	spring washer GB93-10	6	
3	910400100007	washer GB97.1-10-200HV	6	
4	281225511002	Multi way valve (four combined)	1	
5	910100300009	Bolt GB5783-M6x12-8.8	5	
6	910400500005	spring washer GB93-6	7	
7	910400100005	washer GB97.1-6-200HV	9	
8	255024510009	Axle Φ 16x168	1	
9	281224511001	Frame assembly	1	
10	910300500005	Nut GB889.1-M10-10	2	
11	910100300035	Bolt GB5783-M10x20-8.8	2	
12	941100800001	Axle B4.75x20-c1B	8	
13	910600600011	Axle GB91-2x12	8	
14	255025020003	Joint	4	
15	910300100006	Nut GB6170-M8-10	4	
16	255024520017	Connecting rod	4	
17	940500100006	Sleeve Φ 16x Φ 18x15-SF-1	8	
18	255024510004	Control lever welding(lifting)	1	
19	255024520022	Handle ball(lifting)	1	
20	255024510005	Control lever welding(slope)	1	
21	255024520023	Handle ball (slope)	1	
22	255025010001	Control lever welding(accessory 1)	1	
23	255025020002	Handle ball(accessory 1)	1	
24	255025510001	Control lever welding (accessory 2)	1	
25	255025520002	Handle ball(accessory2)	1	
26	281224521001	Fixing seat	1	
27	255024520014	Handle ϕ 10x60	1	
28	255024520013	Spring	1	
29	255024510003	Axle ϕ 18x27.5	1	

Multiple directional control valve(four joint)

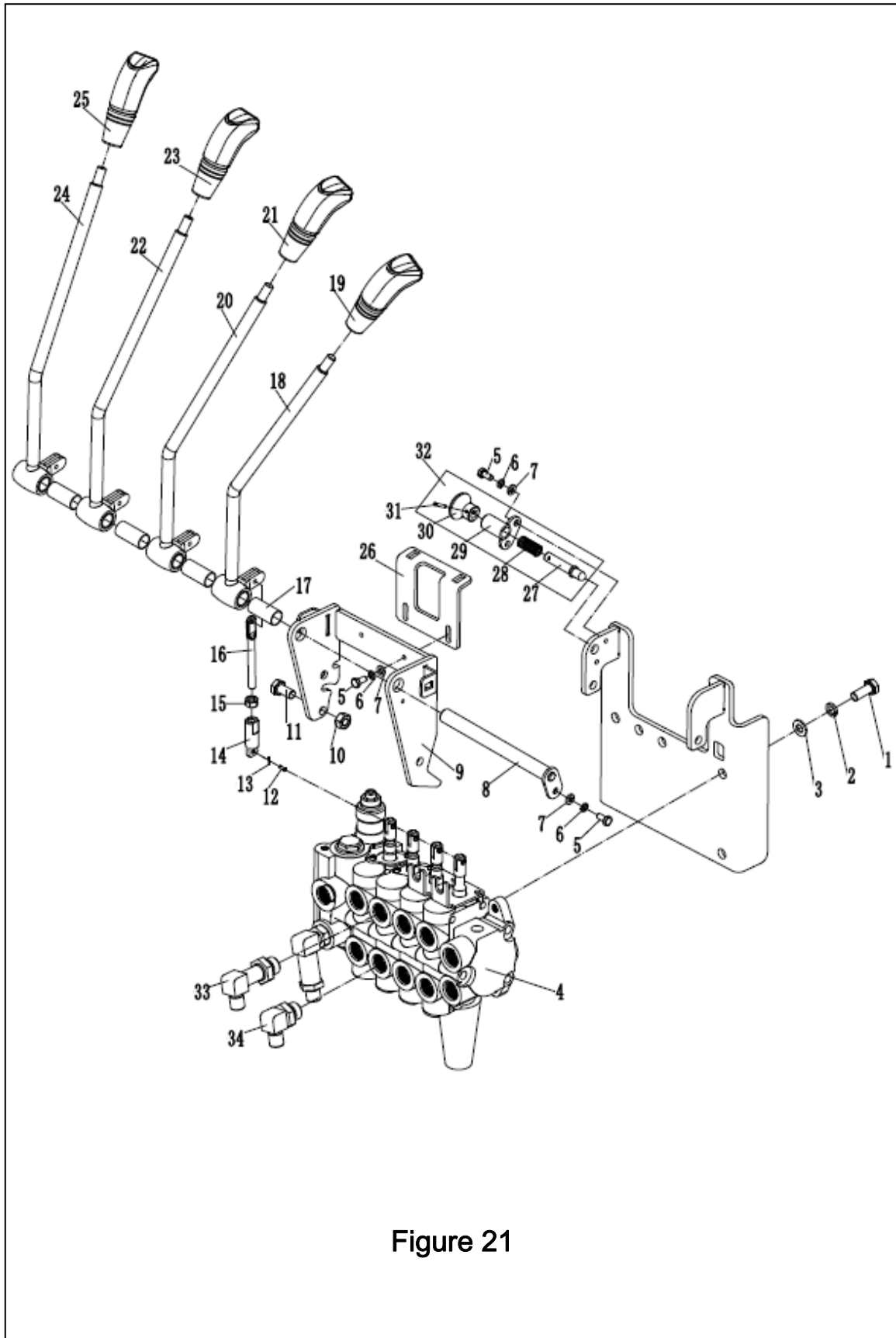


Figure 21

Figure 21 Multiple directional control valve(four joint)

NO.	SN	Name	QTY	Remarks
30	255024520015	Handle	1	
31	910600400004	Dowel pin GB879.1-3x16	1	
32	255024510006	Handle assembly	1	
33	281225010001	Joint 10-M20x1.5-M16x1.5-60°	2	
34	255023510007	Joint 10-M20x1.5-M16x1.5-60°	2	

Hydraulic system

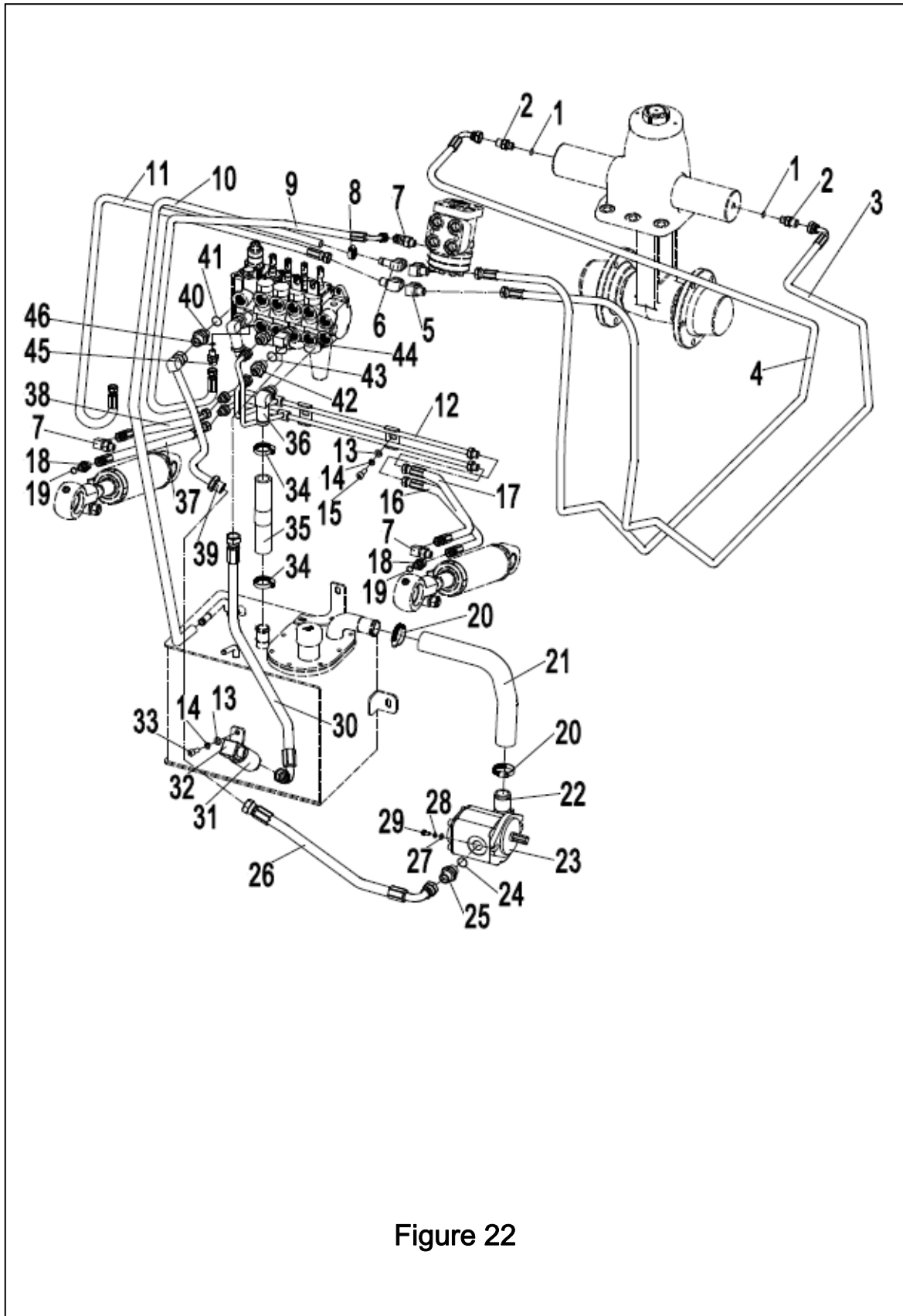


Figure 22

Figure 22**Hydraulic system**

NO.	SN	Name	QTY	Remarks
1	910800900004	Washer JB982-14	2	
2	284023520001	Joint 7.9-G1/4-M16x1.5-60°	2	
3	281223521002	Hydraulic hose assembly (90°)8-L2550-1SC-60°	1	
4	281223521001	Hydraulic hose assembly (90°)8-L3050-1SC-60°	1	
5	255023510007	Joint 10-M20x1.5-M16x1.5-60°	3	
6	255023510008	Joint 11-M20x1.5-0	1	
7	255023510003	Joint 6-G1/4-M14x1.5-60°	3	
8	911000600003	Hose clamp QC/T390-(22-26)	2	
9	255023520003	Hydraulic hose assembly (90°)6-L1420-1SC-60°	1	
10	▲	Oil return hose $\Phi 13 \times \Phi 23$	1	
11	255030520017	Hydraulic hose assembly 8-L1450-1SC-60°	1	
12	281223511001	Slope steel pipe	1	
13	910400100006	Washer GB97.1-8-200HV	3	
14	910400500006	spring washer GB93-8	3	
15	910200200057	Screw GB70.1-M8x20-8.8	2	
16	281223521016	Hydraulic hose assembly 6-L660-1SC-60°	1	
17	281223521015	Hydraulic hose assembly 6-L520-1SC-60°	1	
18	255023520007	Joint 6-G1/4—M14x1.5-60°	2	
19	910800100021	O ring 11.2x2.65	2	
20	911000600006	Hose clamp QC/T390-(40-45)	2	
21	281223521008	Rubber hose	1	
22	255023510005	Joint 25-G1- $\Phi 32$	1	
23	281223511006	Gear pump	1	
24	910800100004	O ring 18x2.65	1	
25	263023520028	Joint 12-G1/2-M22x1.5-60°	1	

Hydraulic system

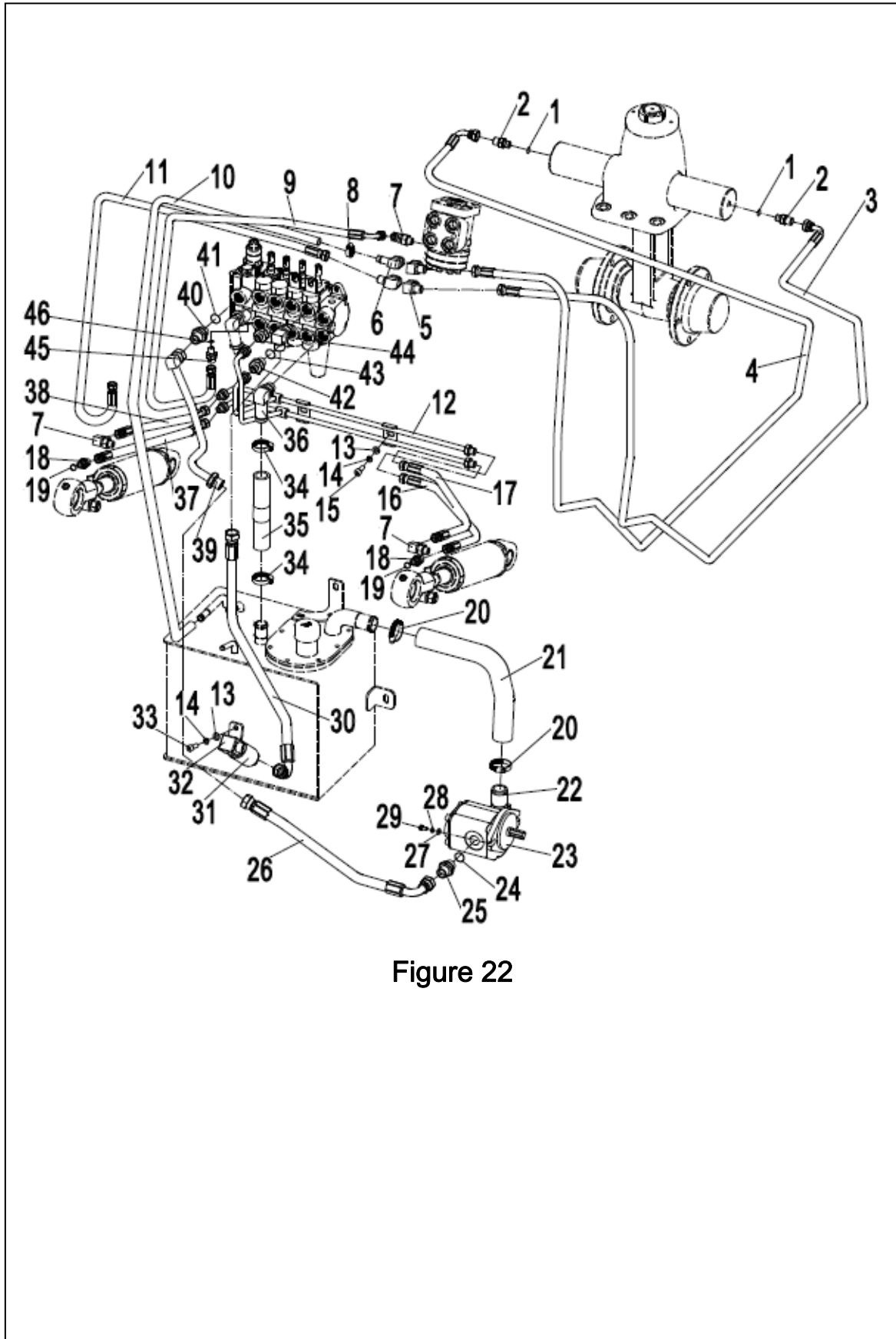


Figure 22

Figure 22**Hydraulic system**

NO.	SN	Name	QTY	Remarks
26	281223521004	Hydraulic hose assembly (45°)13-L415-2SC-60°	1	
27	910400100007	Washer GB97.1-10-200HV	2	
28	910400500007	spring washer GB93-10	2	
29	910100300037	Bolt GB5783-M10x30-8.8	2	
30	281223521003	Hydraulic hose assembly (90°)13-L650-2SC-60°	1	
31	275044010057	Speed limit valve XSF-F16L-30	1	
32	281223511003	Speed limit valve joint assembly	1	
33	910100300023	Bolt GB5783-M8x25-8.8	1	
34	911000600004	Hose clamp QC/T390-(34-38)	2	
35	▲	Oil return hose $\Phi 25 \times \Phi 35$	1	
36	255023510002	Joint 16-M22x1.5- $\Phi 25$	1	
37	281223521014	Hydraulic hose assembly 6-L440-1SC-60°	1	
38	281223521013	Hydraulic hose assembly 6-L320-1SC-60°	1	
39	281223511002	Multi way valve Oil enter hose	1	
40	255023520030	Joint 12-2xM22x1.5-60°	1	
41	910800100015	O ring 19x2.65	1	
42	255023520033	Joint 8-M20x1.5-M16x1.5-60°	2	
43	910800100003	O ring 17x2.65	2	
44	255044020122	Joint 12-M20x1.5-M22x1.5-60°	1	
45	281223521007	Joint 6-M12x1.5M14x1.5-60°	1	
46	910800100001	O ring 9.5x1.8	1	

Working cylinder mechanism and installation

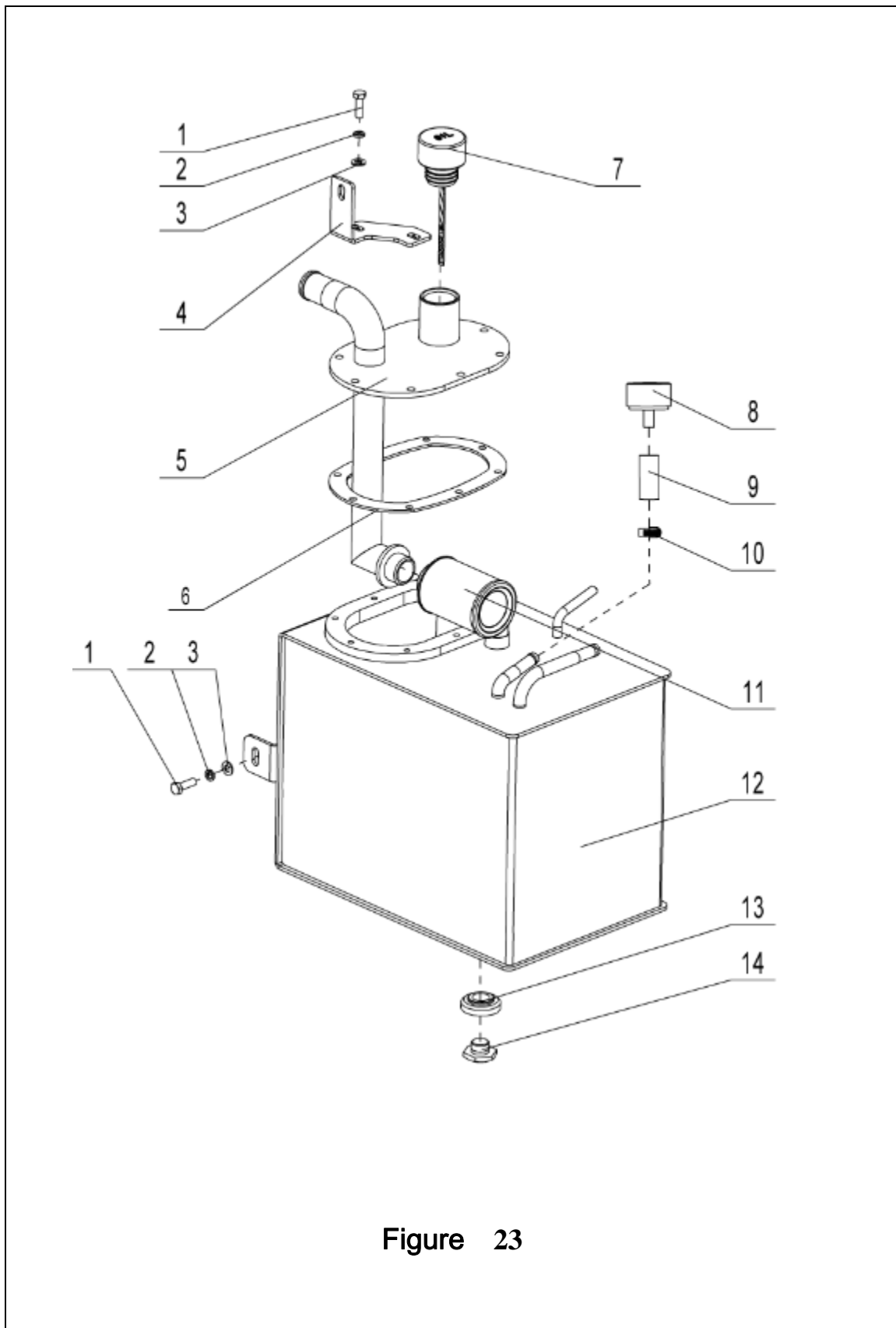


Figure 23

Working cylinder mechanism and installation

NO.	SN	Name	QTY	Remarks
1	910100100018	Bolt GB5782-M8x25-8.8	10	
2	910400500006	Spring washer GB93-8	10	
3	910400100006	washer GB97.1-8-200HV	10	
4	281219021012	Fixing plate	1	
5	281219011002	Cover plate welding	1	
6	255019020013	Sealing gasket 204x134x1.5-R	1	
7	281219021011	Refuel Piston	1	
8	253519010005	Respirator HS0403	1	
9	▲	Oil return hose $\Phi 13 \times \Phi 23$	1	
10	911000600002	Hoop QC/T390-(13-16)	2	
11	255019010004	Screen filter WU63x100	1	
12	281219011001	Working cylinder welding	1	
13	910800900001	washer JB982-20	1	
14	255019020015	Drain plug M20x1.5	1	

Mast lifting pipeline (standard mast)

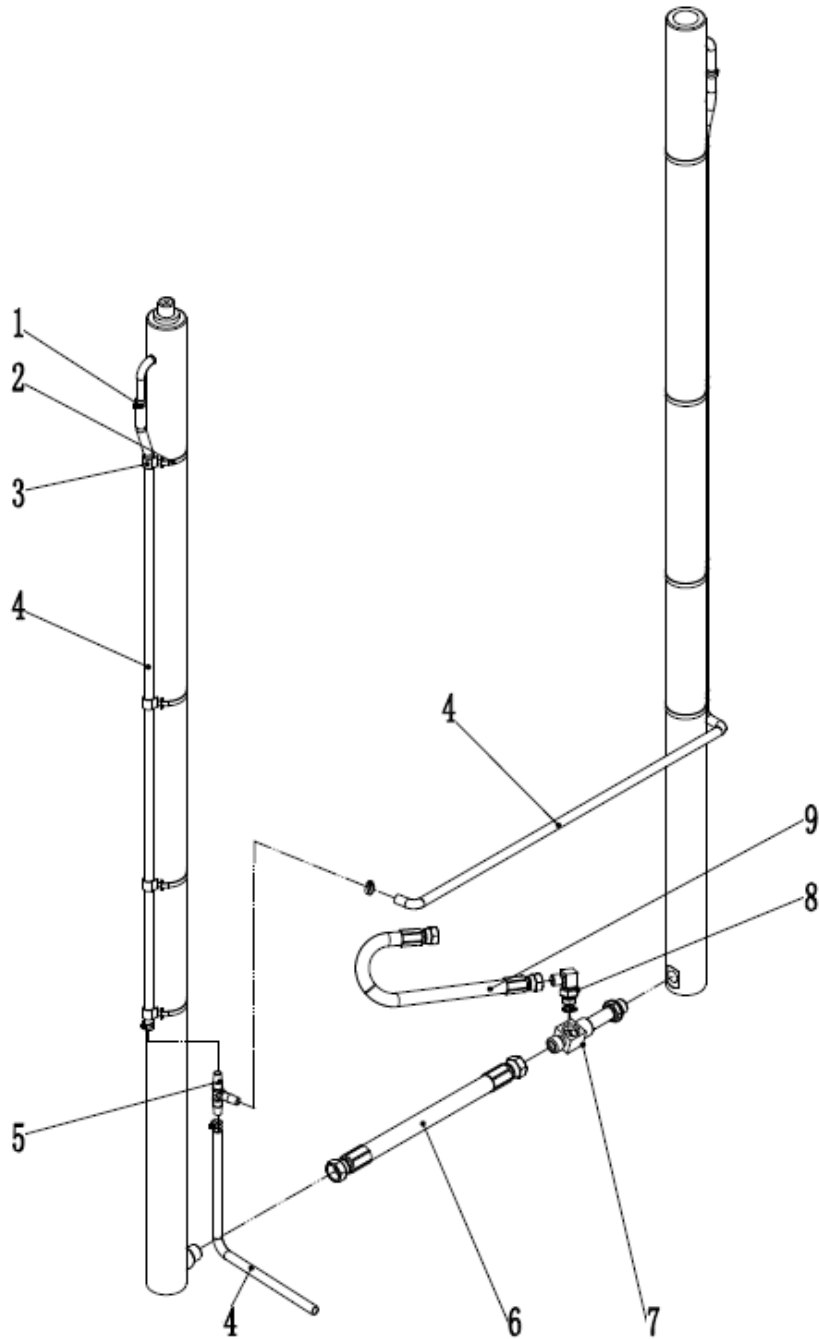


Figure 24

Mast lifting pipeline (standard mast)

NO.	SN	Name	QTY	Remarks
1	921600400003	Hoop P-N156-00646	5	
2	921600400001	Strip 4x250	8	
3	255044020042	Press plate	8	
4	▲	Hose 13x1.5/PE	1.7	
	▲	Hose 13x1.5/PE	1.9	
	▲	Hose 13x1.5/PE	2.2	
	▲	Hose 13x1.5/PE	2.5	
	▲	Hose 13x1.5/PE	2.7	
	▲	Hose 13x1.5/PE	2.9	
	▲	Hose 13x1.5/PE	3.3	
	▲	Hose 13x1.5/PE	3.6	
	▲	Hose 13x1.5/PE	3.8	
	▲	Hose 13x1.5/PE	4.3	
5	255044020118	Joint	1	
6	254144020039	Hydraulic hose assembly 8-L345-2SC-60°	1	
7	254144020038	Joint	1	
8	255044020151	Joint 12-2xM22x1.5-60	1	
9	281244029001	Hydraulic hose assembly (90°)13-L600-2SC-60°	1	

Mast lifting pipeline(two stage full free lift)

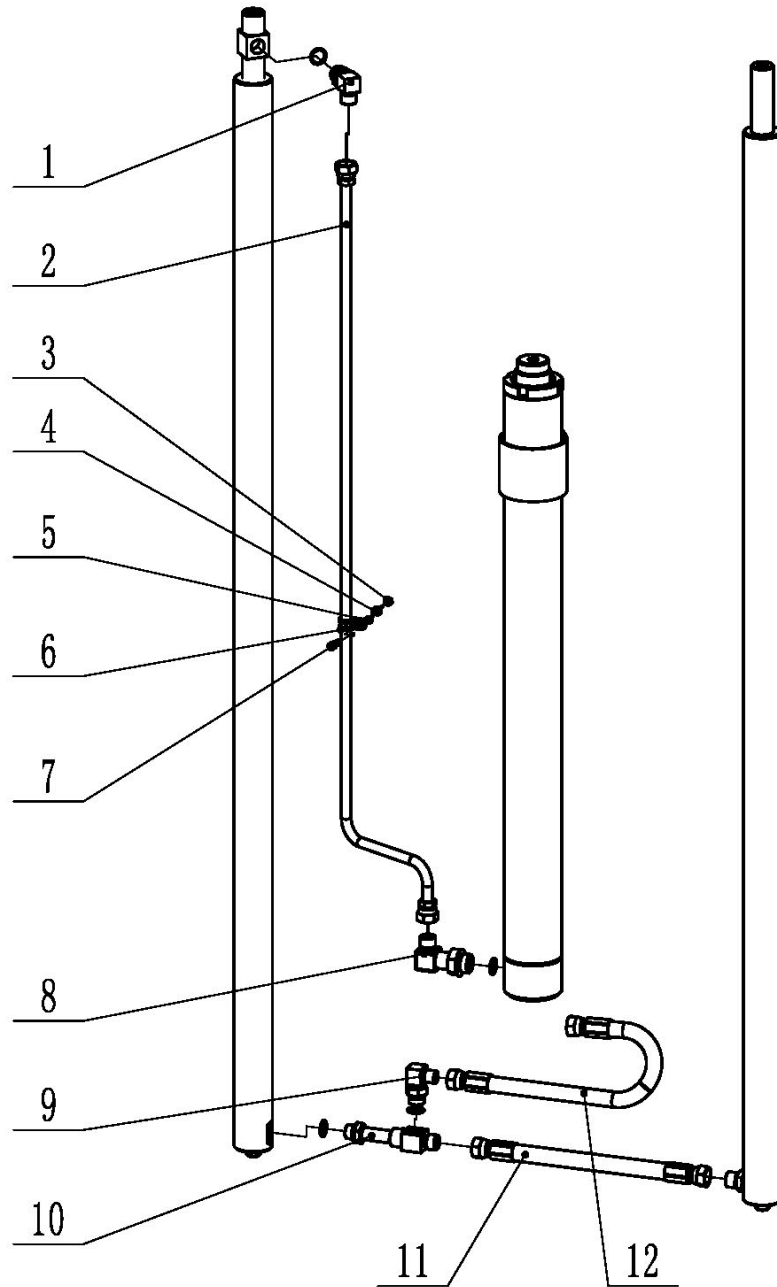


Figure 25

Mast lifting pipeline(two stage full free lift)

NO.	SN	Name	QTY	Remarks
1	253523520005	Joint 12-2xM22x1.5-60°	1	
2	254143520050	lifting steel pipe L=1350	1	H=2500
	254143520051	lifting steel pipe L=1450	1	H=2700
	254143520052	lifting steel pipe L=1600	1	H=3000
	254143520053	lifting steel pipe L=1750	1	H=3300
	254143520054	lifting steel pipe L=1850	1	H=3500
	254143520055	lifting steel pipe L=1950	1	H=3700
	254143520056	lifting steel pipe L=2150	1	H=4000
	254143520057	lifting steel pipe L=2300	1	H=4300
	254143520058	lifting steel pipe L=2400	1	H=4500
	254143520059	lifting steel pipe L=2675	1	H=5000
3	910300100005	Nut GB6170-M6-10	1	
4	910400500005	spring washer GB93-6	1	
5	910400100005	washer GB97.1-6-200HV	1	
6	951000100003	pipe fixing clamp	1	
7	910200200036	screw GB70.1-M6x20-8.8	1	
8	255043520022	Joint 12-M27x2-M22x1.5	1	
9	255044020151	Joint 12-2xM22x1.5-60°	1	
10	254144020038	Joint	1	
11	254144020039	Hydraulic hose assembly 8-L370-2SC-60°	1	
12	281244029001	Hydraulic hose assembly (90°)8-L370-2SC-60°	1	

Mast lifting pipeline(three stage full free lift)

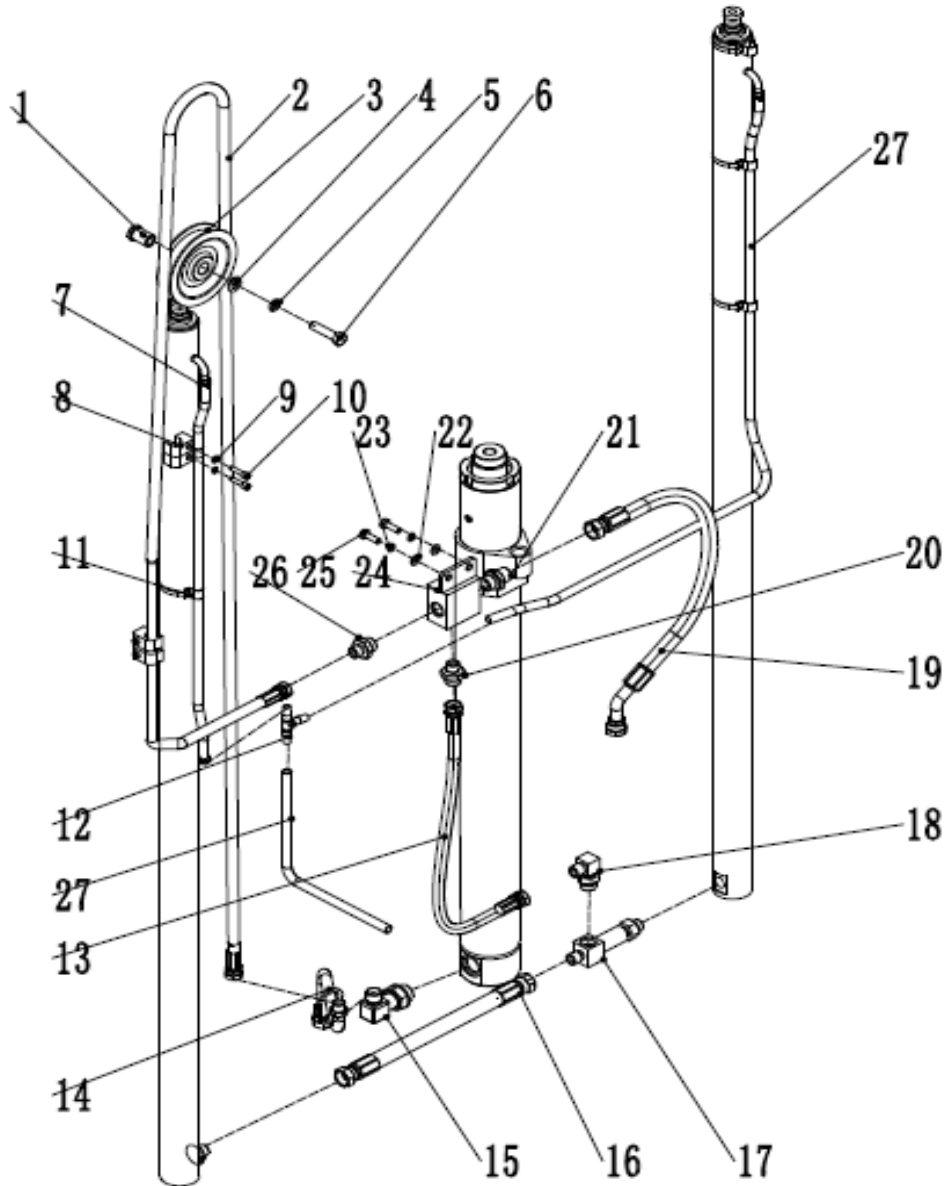


Figure 26

Mast lifting pipeline(three stage full free lift)

NO.	SN	Name	QTY	Remarks
1	255044520081	Bushing	1	
2	254144520041	Hydraulic hose assembly 13-L2180-2CS-60°	1	H=4000
	254144520042	Hydraulic hose assembly 13-L2480-2CS-60°	1	H=4350
	254144520043	Hydraulic hose assembly 13-L2530-2CS-60°	1	H=4500
	254144520044	Hydraulic hose assembly 13-L2730-2CS-60°	1	H=4800
	254144520045	Hydraulic hose assembly 13-L3015-2CS-60°	1	H=5000
	254144520046	Hydraulic hose assembly 13-L3480-2CS-60°	1	H=5500
	254144520047	Hydraulic hose assembly 13-L3950-2CS-60°	1	H=6000
3	255030520021	Pulley ϕ 110x27	1	
4	910400100008	Washer GB97.1-12-200HV	1	
5	910400500008	spring washer GB93-12	1	
6	910100300054	Bolt GB5783-M12x50-8.8	1	
7	255044020043	Hoop	1	
8	921600400001	Strip 4x250	8	
9	255044020042	Hose press plate	8	
10	254144520049	Oil Hose press plate	1	
11	910400500006	spring washer GB93-8	5	
12	910100300022	Bolt GB5783-M8x20-8.8	1	
13	910100300010	Bolt GB5783-M6x16-8.8	1	
14	254144510021	Middle cylinder connecting pipe	1	
15	910800100003	O ring 17x2.65	2	
16	251043520043	Joint 12-M20x1.5-M22x1.5-60°	2	
17	254144020039	Hydraulic hose assembly 13-L350-2SC-60°	1	
18	2541445200040	Joint 10-M22x1.5-M18x1.5-60°	3	
19	254144020038	Three joint	1	
20	255044520080	Joint	1	
21	▲	PE hose Φ 10x Φ 13	2	
22	251044020077	Three joint	1	
23	▲	PE hose Φ 10x Φ 13	2	
24	921600400003	Strip P/N 156-00646	2	

Mast lifting pipeline(three stage full free lift)

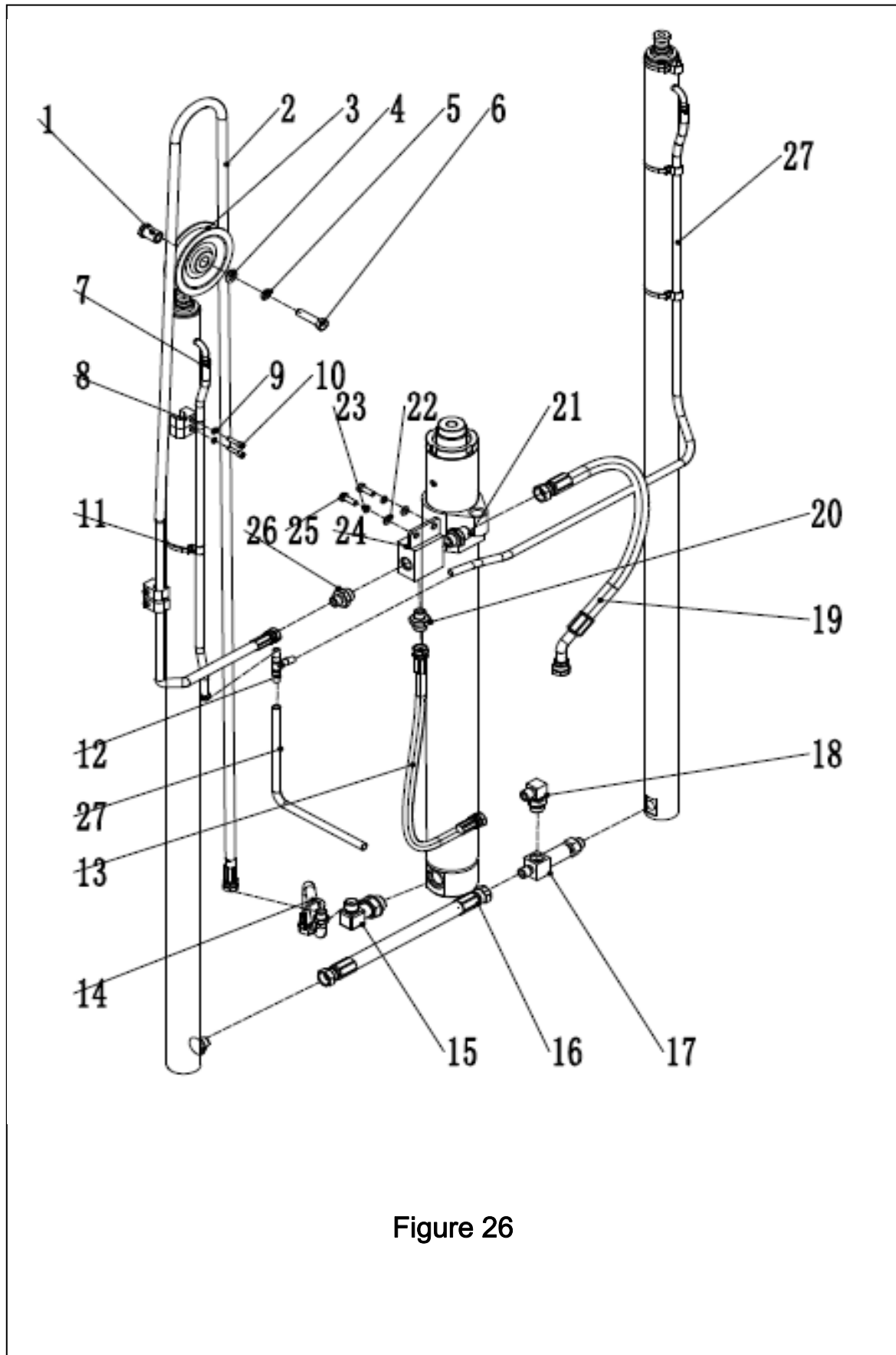


Figure 26

Mast lifting pipeline(three stage full free lift)

NO.	SN	Name	QTY	Remarks
25	910400100006	Washer GB97.1-8-200HV	3	
26	254144510022	Three joint welding	1	
27	275044010047	Speed limit valve XSF-F16L-30	1	
28	254144520048	Hydraulic hose assembly (90°) 13-L1000-2SC-60°	1	
29	255043520022	Joint 8-M27x2-M22x1.5-60°	1	
30	910800100015	O ring 19x2.65	4	
31	910400100005	Washer GB97.1-6-200HV	4	
32	910400500005	Spring Washer GB93-6	4	

Side shifter and pipeline installation (standard mast)

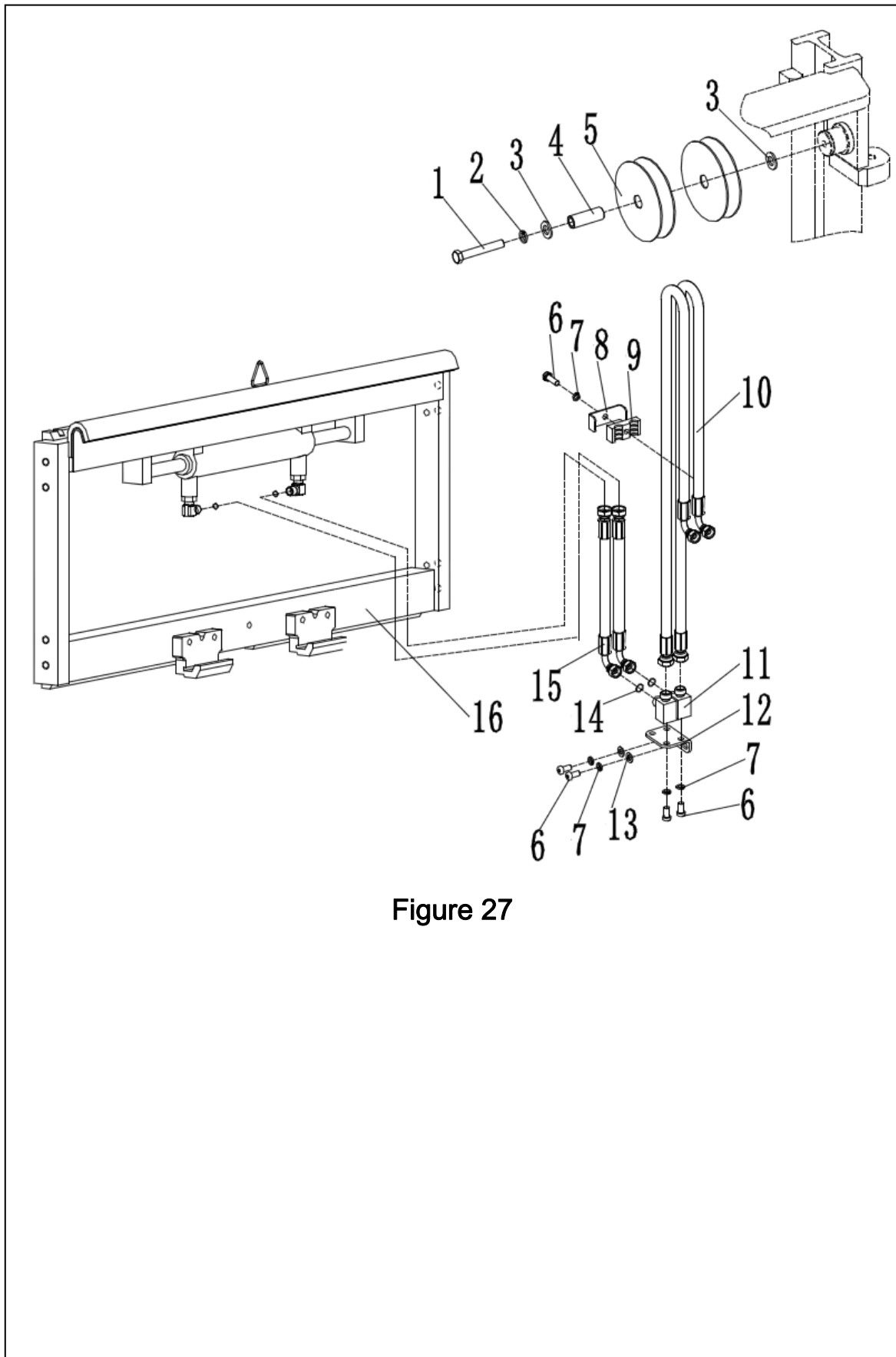


Figure 27

Side shifter and pipeline installation (standard mast)

NO.	SN	Name	QTY	Remarks
1	910100100056	Bolt GB5782-M12x90-8.8	1	
2	910400500008	Spring washer GB93-12	1	
3	910400100008	WasherGB97.1-12-200HV	1	
4	255030520022	Sleeve $\Phi 22 \times \Phi 13 \times 56$	1	
5	255030520021	Pulley $\Phi 110 \times 27$	2	
6	910200200059	ScrewGB70.1-M8x30-8.8	2	
7	910400500006	Spring washer GB93-8	6	
8	255028520034	hose immobilization lump	2	
9	255028520035	Pipe clamp munting plate	2	
10	281227511001	Hydraulic hose assembly 8-L3000-1SC-60°	2	H=2500
	281227511002	Hydraulic hose assembly 8-L3200-1SC-60°	2	H=2700
	254128520040	Hydraulic hose assembly 8-L3500-1SC-60°	2	H=3000
	281227511003	Hydraulic hose assembly 8-L3800-1SC-60°	2	H=3300
	263030520003	Hydraulic hose assembly 8-L4000-1SC-60°	2	H=3500
	281227511004	Hydraulic hose assembly 8-L4200-1SC-60°	2	H=3700
	281227511005	Hydraulic hose assembly 8-L4600-1SC-60°	2	H=4000
	281227511006	Hydraulic hose assembly 8-L4900-1SC-60°	2	H=4300
	281227511007	Hydraulic hose assembly 8-L5100-1SC-60°	2	H=4500
	281227511008	Hydraulic hose assembly 8-L5650-1SC-60°	2	H=5000
11	255028520001	Joint 8-M16x1.5-M18x1.5-60°	2	
12	254127520001	Install plate	1	
13	910400100006	washer GB97.1-8-200HV	2	
14	910800100001	O ring 9.5x1.8	4	
15	253542520001	front short hose	2	
16	253042510001	Side shifter assembly	1	

Side shifter and pipeline installation(two stage full free)

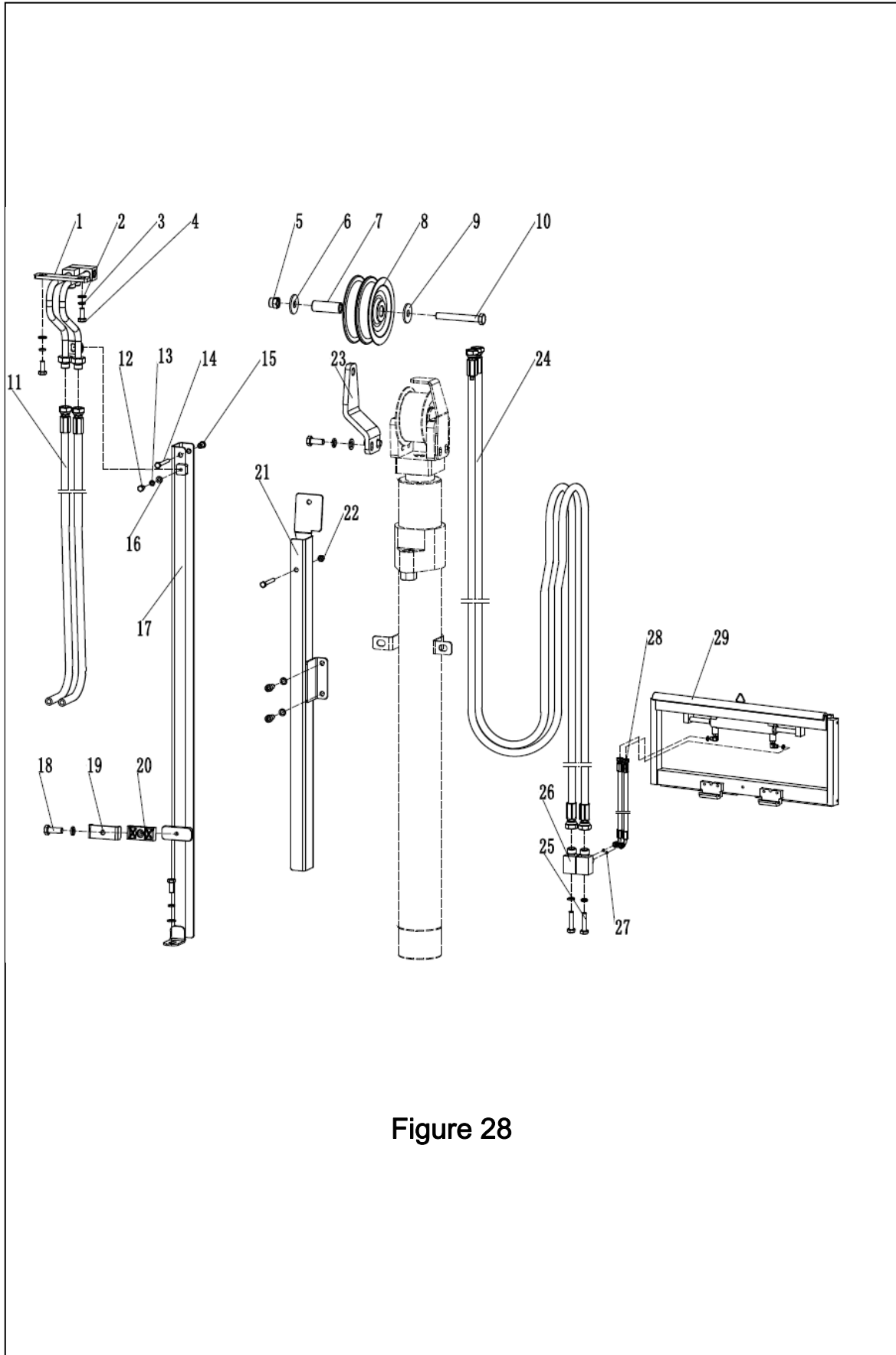


Figure 28

Side shifter and pipeline installation(two stage full free)

NO.	SN	Name	QTY	Remarks
1	254128510001	Transition steel pipe	1	
2	910400100006	Washer GB97.1-8-200HV	2	
3	910400500006	Spring washer GB93-8	2	
4	941100400001	Screw M8x20-8.8	2	
5	910300500006	Nut GB889.1-M12-10	1	
6	910400100008	washer GB97.1-12-200HV	1	
7	255030520022	Bushing	1	
8	255030520021	Pulley ϕ 110x27	1	
9	910400200005	Washer GB96.1-12-200HV	1	
10	910100300025	BoltGB5783-M8x35-8.8	1	
11	254128520041	Hydraulic hose assembly (90°)8-L1650-1SC-60°	2	H=2500
	254128520042	Hydraulic hose assembly (90°)8-L1750-1SC-60°	2	H=2700
	254128520043	Hydraulic hose assembly (90°)8-L1900-1SC-60°	2	H=3000
	254128520044	Hydraulic hose assembly (90°)8-L2050-1SC-60°	2	H=3300
	250528520002	Hydraulic hose assembly (90°)8-L2150-1SC-60°	2	H=3500
	254128520046	Hydraulic hose assembly (90°)8-L2250-1SC-60°	2	H=3700
	252028520019	Hydraulic hose assembly (90°)8-L2450-1SC-60°	2	H=4000
	254128520048	Hydraulic hose assembly (90°)8-L240-1SC-60°	2	H=4300
	252028520020	Hydraulic hose assembly (90°)8-L2700-1SC-60°	2	H=4500
	254128520050	Hydraulic hose assembly (90°)8-L2975-1SC-60°	2	H=5000
12	941100100009	Nut M6x12-8.8	1	
13	910400500005	Spring washer GB93-6	1	
14	910100300016	BoltGB5783-M6x50-8.8	2	
15	910301300002	Nut GB17880.1-M6x16.5	1	
16	910400100005	Washer GB97.1-6-200HV		
17	254128510012	Groove welding L=720	1	H=2500
	254128510013	Groove welding L=820	1	H=2700
	254128510014	Groove welding L=970	1	H=3000
	254128510015	Groove welding L=1120	1	H=3300
	254128510016	Groove welding L=1220	1	H=3500
	254128510017	Groove welding L=1320	1	H=3700

Side shifter and pipeline installation(two stage full free)

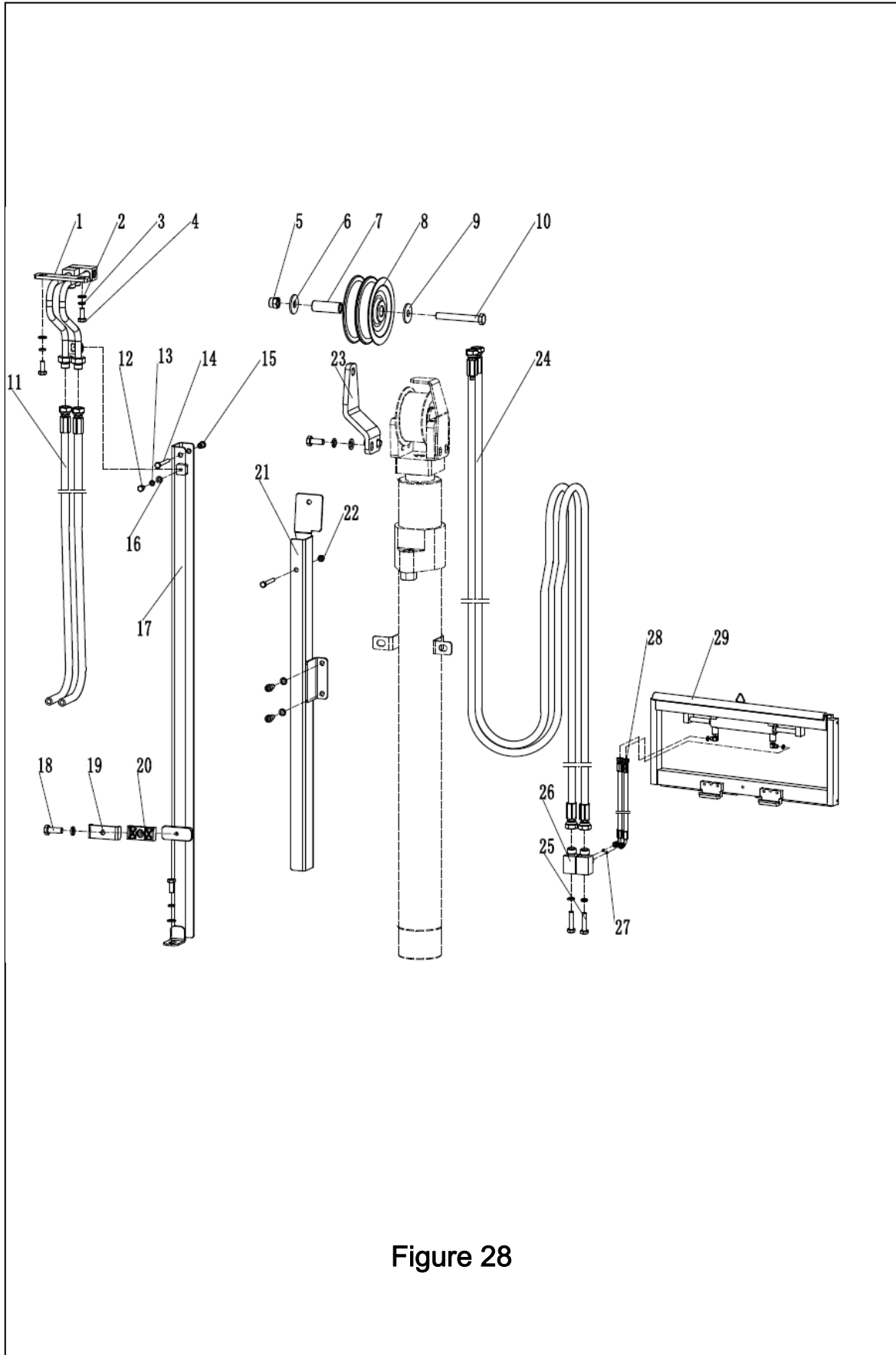


Figure 28

Side shifter and pipeline installation(two stage full free)

NO.	SN	Name	QTY	Remarks
17	254128510018	Groove welding L=1520	1	H=4000
	254128510019	Groove welding L=1670	1	H=4300
	254128510020	Groove welding L=1770	1	H=4500
	254128510021	Groove welding L=2045	1	H=5000
18	910200200059	Screw GB70.1-M8x30-8.8	1	
19	255028520035	Pipe clamp munting plate	2	
20	255028520034	hose immobilization lump	2	
21	254128510002	Groove welding L=400	1	H=2500
	254128510003	Groove welding L=500	1	H=2700
	254128510004	Groove welding L=650	1	H=3000
	254128510005	Groove welding L=800	1	H=3300
	254128510006	Groove welding L=900	1	H=3500
	254128510007	Groove welding L=1000	1	H=3700
	254128510008	Groove welding L=1200	1	H=4000
	254128510009	Groove welding L=1350	1	H=4300
	254128510010	Groove welding L=1450	1	H=4500
	254128510011	Groove welding L=1725	1	H=5000
22	910300500003	Nut GB889.1-M6-10	1	
23	254143520055	Pulley frame	1	
24	254128520031	Hydraulic hose assembly 8-L2350-1CS-60°	2	H=2500/2700
	252028520015	Hydraulic hose assembly 8-L2650-1CS-60°	2	H=3000/3300
	254128520035	Hydraulic hose assembly 8-L2850-1CS-60°	2	H=3500/3700
	254128520037	Hydraulic hose assembly 8-L3150-1CS-60°	2	H=4000/4300
	254128520039	Hydraulic hose assembly 8-L3250-1CS-60°	2	H=4500
	254128520040	Hydraulic hose assembly 8-L3500-1CS-60°	2	H=5000
25	910100300025	Bolt GB5783-M8x35-8.8	2	
26	255028520001	Joint 16-18	2	
27	910800100001	O ring 9.5x1.8	4	
28	253542520001	front short hose	2	
29	253042510001	Side shifter assembly	1	

Side shifter and pipeline installation(three stage full free)

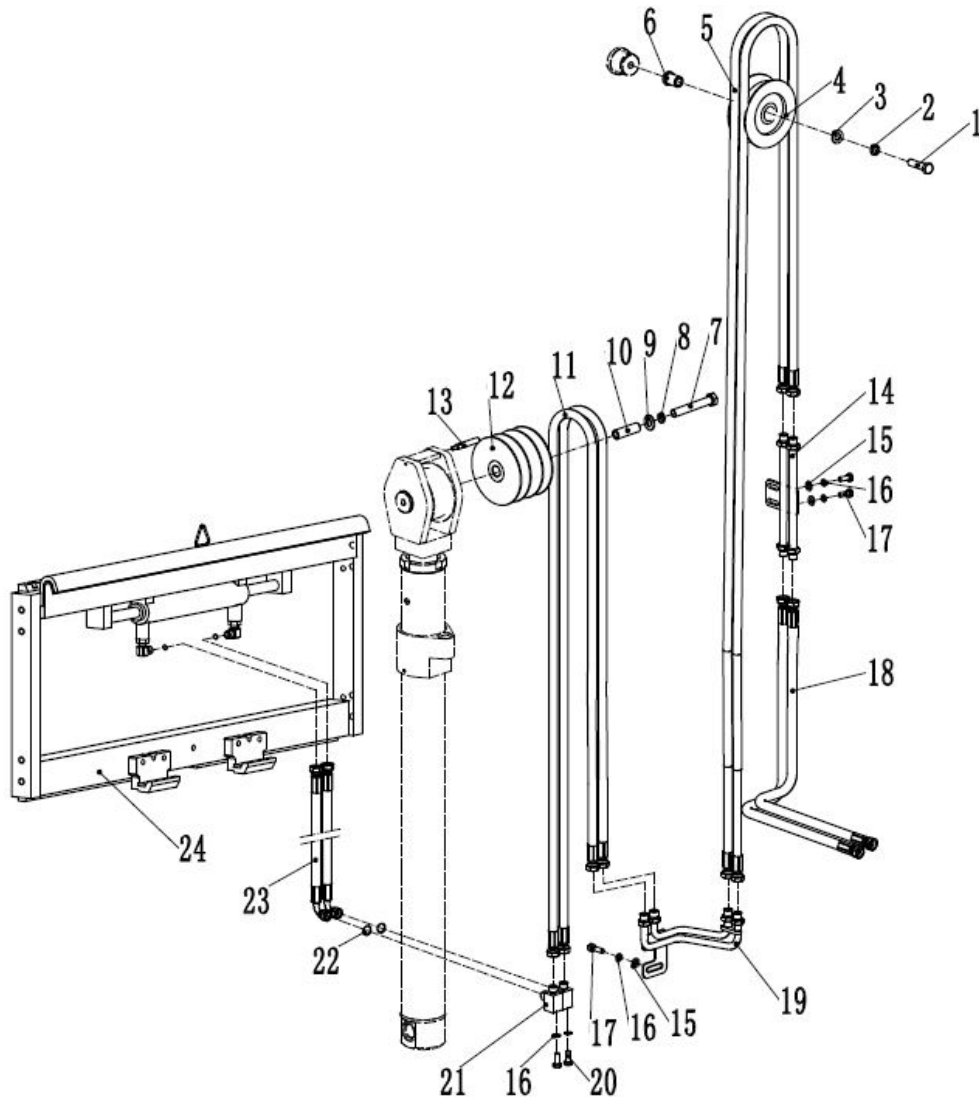


Figure 29

Side shifter and pipeline installation(three stage full free)

NO.	SN	Name	QTY	Remarks
1	910100300054	Bolt GB5783-M12x80-8.8	1	
2	910400500008	Spring washer GB93-12	1	
3	910400100008	washer GB97.1-12-200HV	2	
4	255030520020	Pulley Φ 120x42	1	
5	255030520001	Hydraulic hose assembly 8-L2060-1CS-60°	1	H=4000
	255030520002	Hydraulic hose assembly 8-L2310-1CS-60°	1	H=4350
	255030520003	Hydraulic hose assembly 8-L2410-1CS-60°	1	H=4500
	255030520004	Hydraulic hose assembly 8-L2610-1CS-60°	1	H=4800
	254130520001	Hydraulic hose assembly 8-L2810-1CS-60°	1	H=5000
	254130520002	Hydraulic hose assembly 8-L3110-1CS-60°	1	H=5500
	254130520003	Hydraulic hose assembly 8-L38510-1CS-60°	1	H=6000
6	255030520023	Bushing 1	1	
7	910100100054	Bolt GB5782-M12x80-8.8	1	
8	910400500008	Spring washer GB93-12	1	
9	910400100008	washer GB97.1-12-200HV	1	
10	255030520022	Bushing Φ 22x Φ 13x56	1	
11	25413052004	Hydraulic hose assembly 8-L1745-1CS-60°	2	H=4000
	25413052005	Hydraulic hose assembly 8-L1870-1CS-60°	2	H=4350
	255030520016	Hydraulic hose assembly 8-L1920-1CS-60°	2	H=4500
	25413052006	Hydraulic hose assembly 8-L2020-1CS-60°	2	H=4800
	25413052007	Hydraulic hose assembly 8-L2120-1CS-60°	2	H=5000
	25413052008	Hydraulic hose assembly 8-L2295-1CS-60°	2	H=5500
	25413052009	Hydraulic hose assembly 8-L2470-1CS-60°	2	H=6000
12	255030520021	Pulley Φ 110x27	2	
13	254130520014	Pulley block pole	1	
14	255030520018	Hydraulic steel pipe welding	1	
15	910400100006	washer GB97.1-8-200HV	3	
16	910400100006	Spring washer GB93-8	5	
17	910100300022	Bolt GB5783-M8x20-8.8	3	
18	254130520015	Hydraulic hose assembly 8-L1400-1SC-60°	2	
19	281230510001	Sideway steel pipe	1	
20	910200200059	Screw GB70.1-M8x30-8.8	2	

Side shifter and pipeline installation(three stage full free)

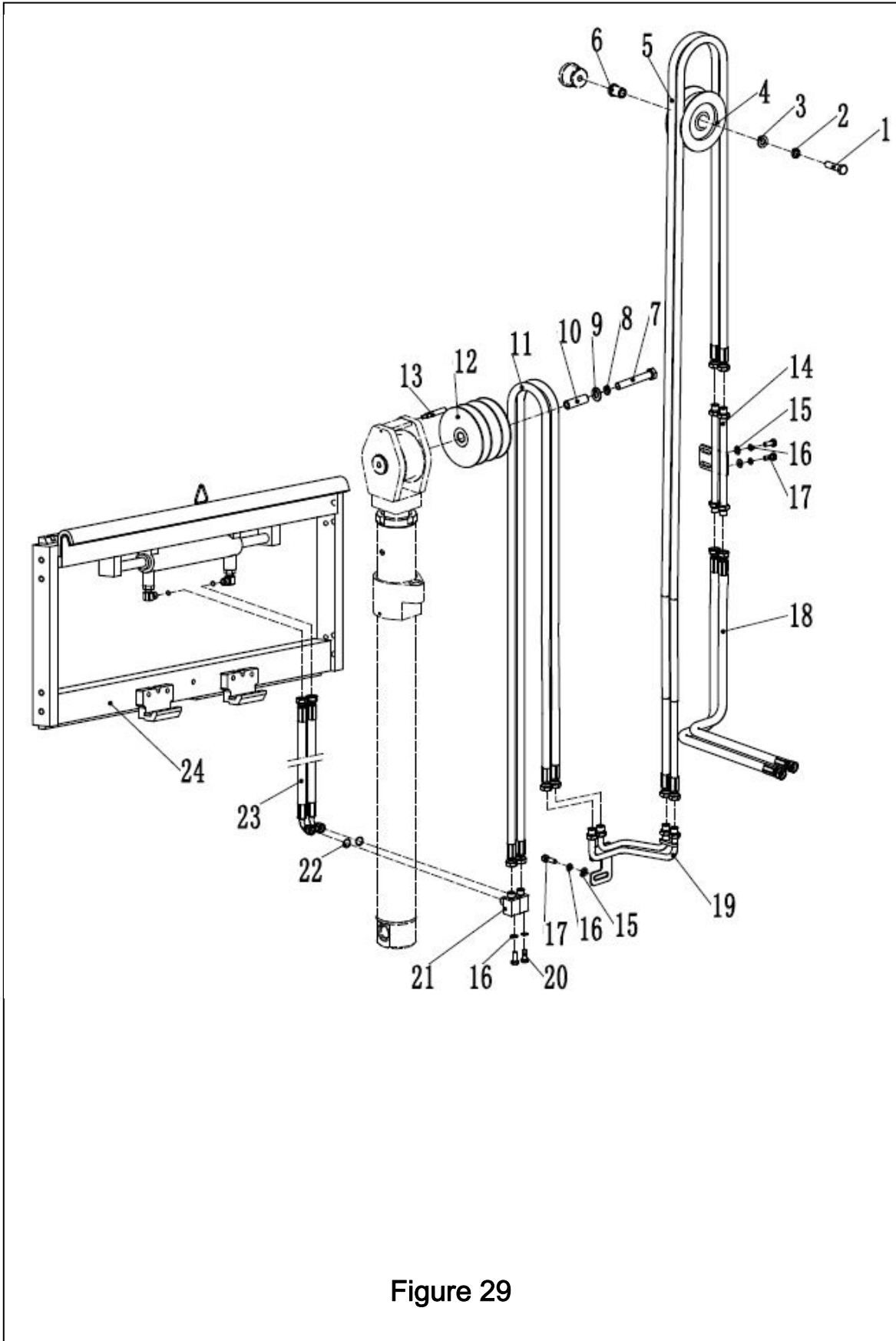


Figure 29

Side shifter and pipeline installation(three stage full free)

NO.	SN	Name	QTY	Remarks
21	255028520001	Joint 16-18	2	
22	910800100001	O ring 9.5x1.8	4	
23	253542520001	Hydraulic hose assembly (90°)8-L500-1SC-90°	2	
24	253042510001	Side shifter assembly	1	

Fork

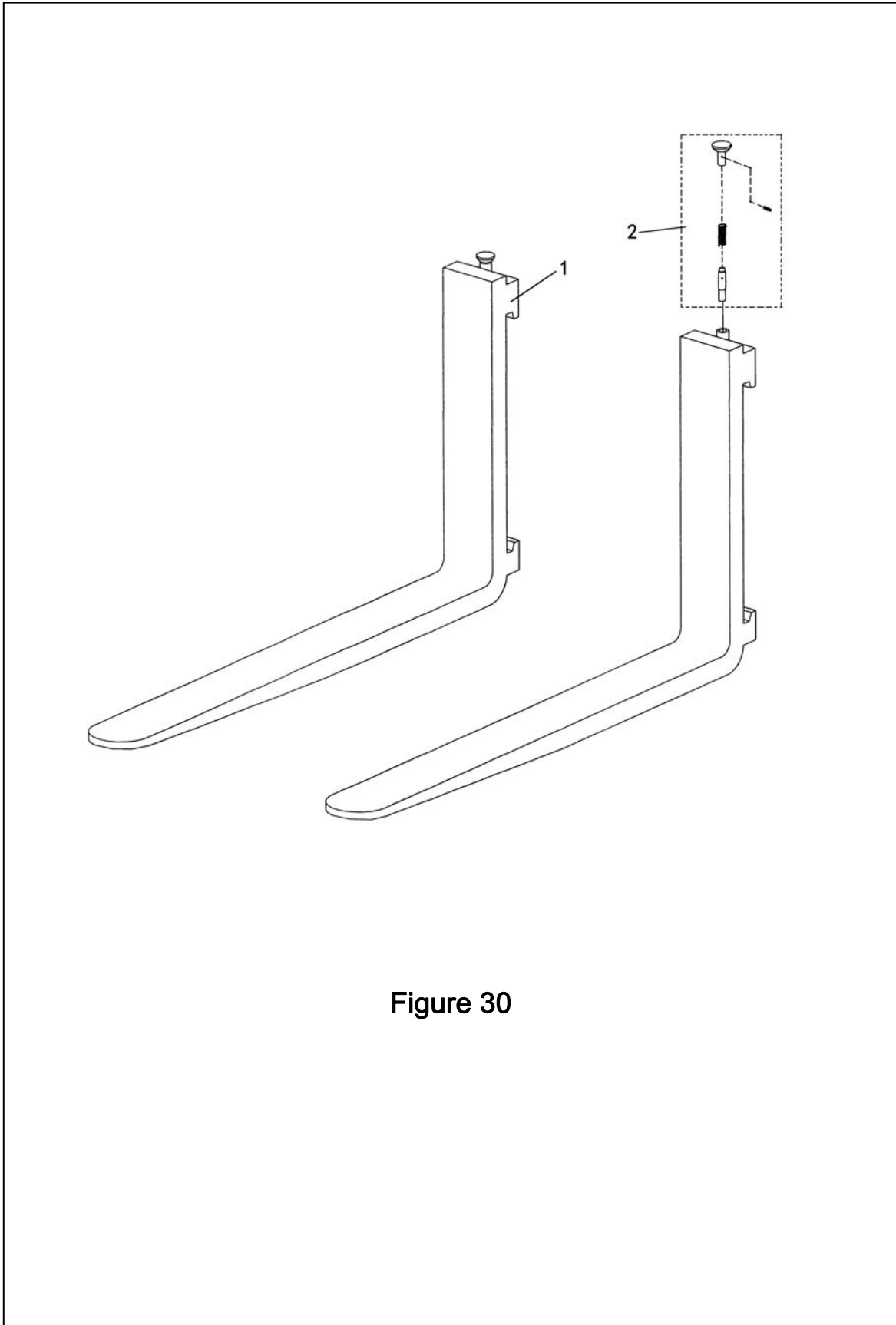


Figure 30

Figure30**Fork**

A	940100100001	Fork 100x35x920	2	Inc1-2
	940100100002	Fork 100x35x950	2	
	940100100003	Fork 100x35x1070	2	
	940100100004	Fork 100x35x1150	2	
	940100100005	Fork 100x35x1220	2	
1	▲	Fork body	2	
2	253098514101	Lift pin assembly	2	

Note: ▲ spare parts will not be provided seperately

Fork carrier(standard mast)

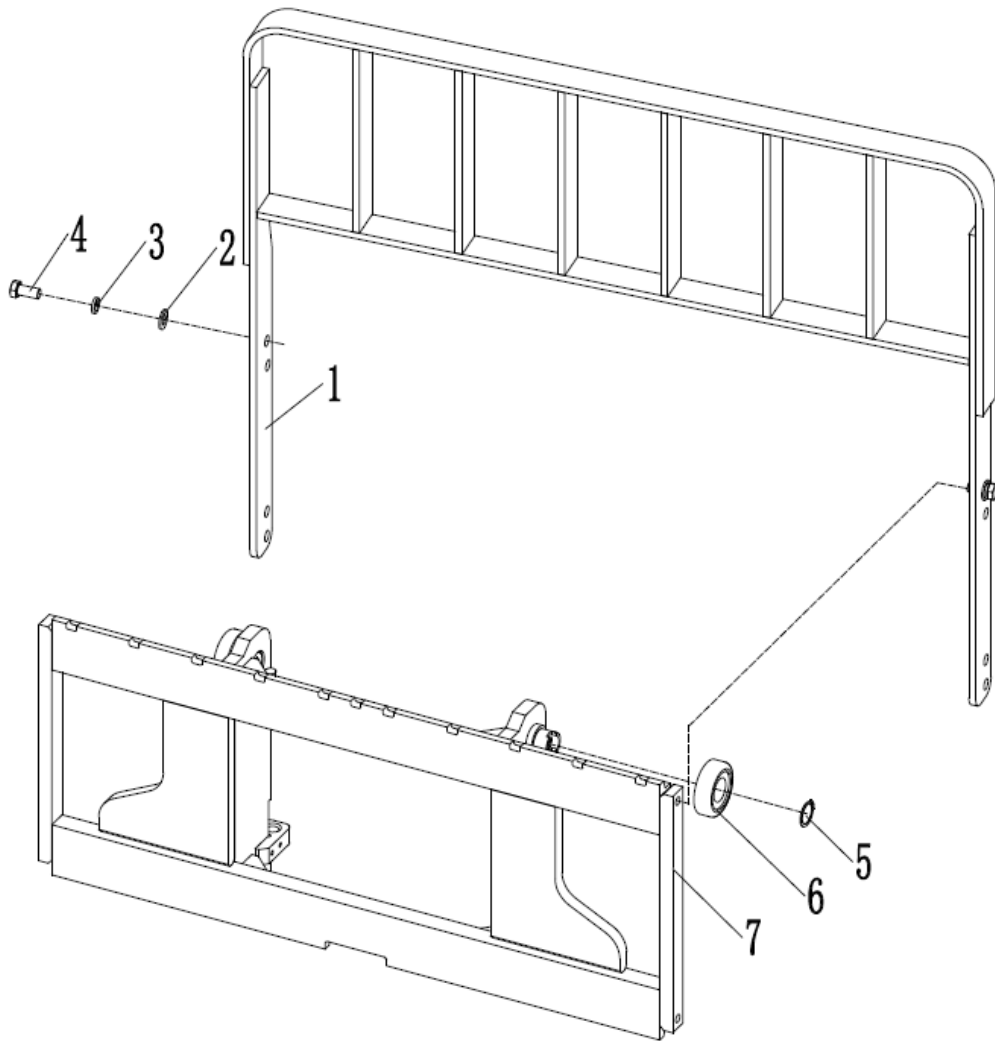


Figure 31

Figure 31 Fork carrier(standard mast)

NO.	SN	Name	QTY	Remarks
1	253040510001	Load backrest welding	1	
2	910100300062	Bolt GB5783-M14x30-8.8	8	
3	910400500009	Spring washer GB93-14	8	
4	910400100009	washer GB97.1-14-200HV	8	
5	910401300018	washer GB894.1-35	4	
6	940200300004	Roller $\Phi 77.7$ -range=45.3-49.3	4	
7	254138010001	Fork carrier welded (standard mast)	1	

Fork carrier(two stage full free)

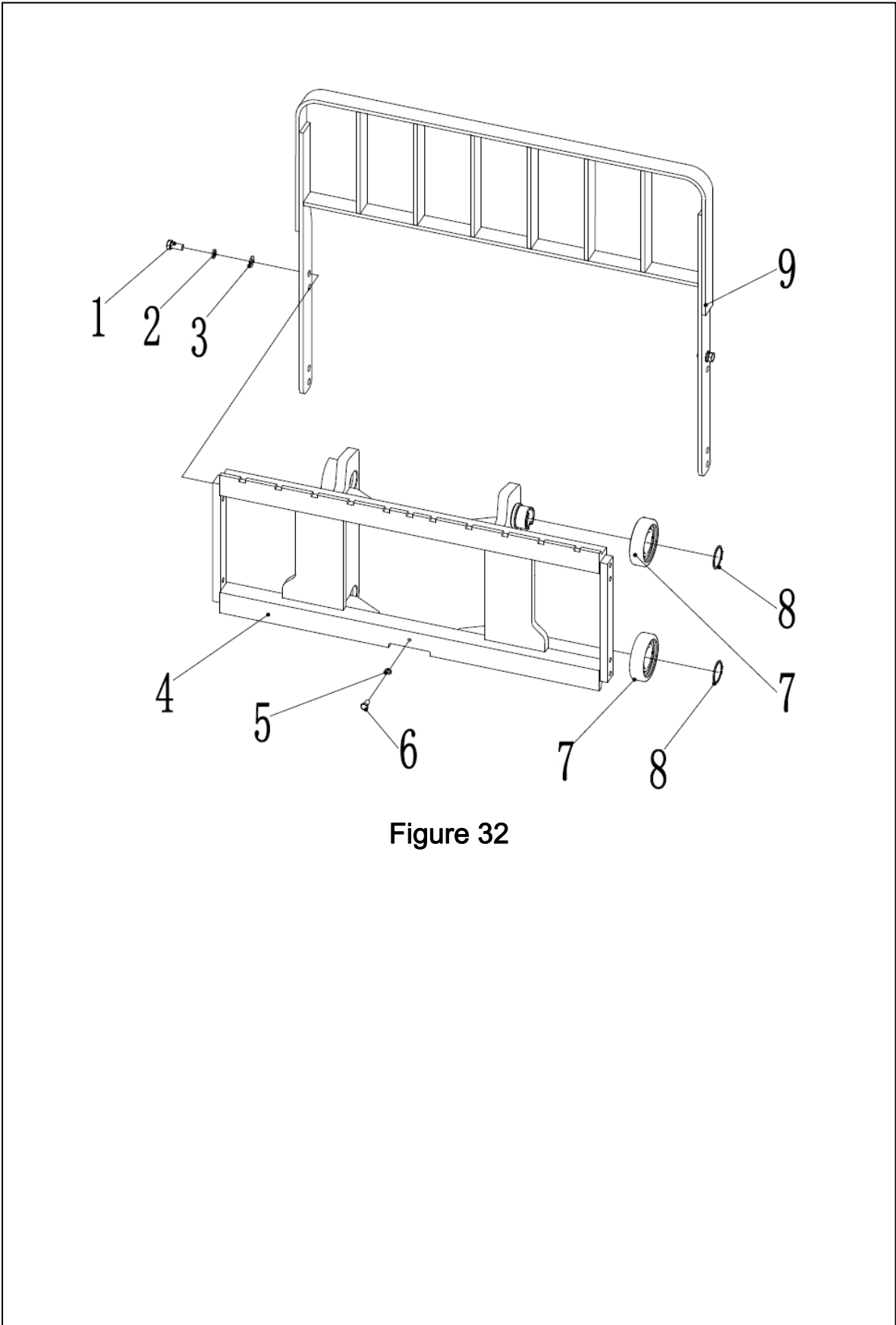


Figure 32

Figure 32 Fork carrier(two stage full free)

NO.	SN	Name	QTY	Remarks
1	910100300062	Bolt GB5783-M14x30-8.8	8	
2	910400500009	Spring Washer GB93-14	8	
3	910400100009	Washer GB97.1-14-200HV	8	
4	254138010011	Fork carrier welding (two stage full free)	1	
5	910200200077	ScrewGB70.1-M10x30-8.8	1	
6	910400100007	Washer GB97.1-10-200HV	1	
7	940200300004	Roller ϕ 77.7-range=45.3-49.3	4	
8	910401300018	Washer GB894.1-35	4	
9	253040510001	Fork carrier welding	1	

Fork carrier(three stage full free)

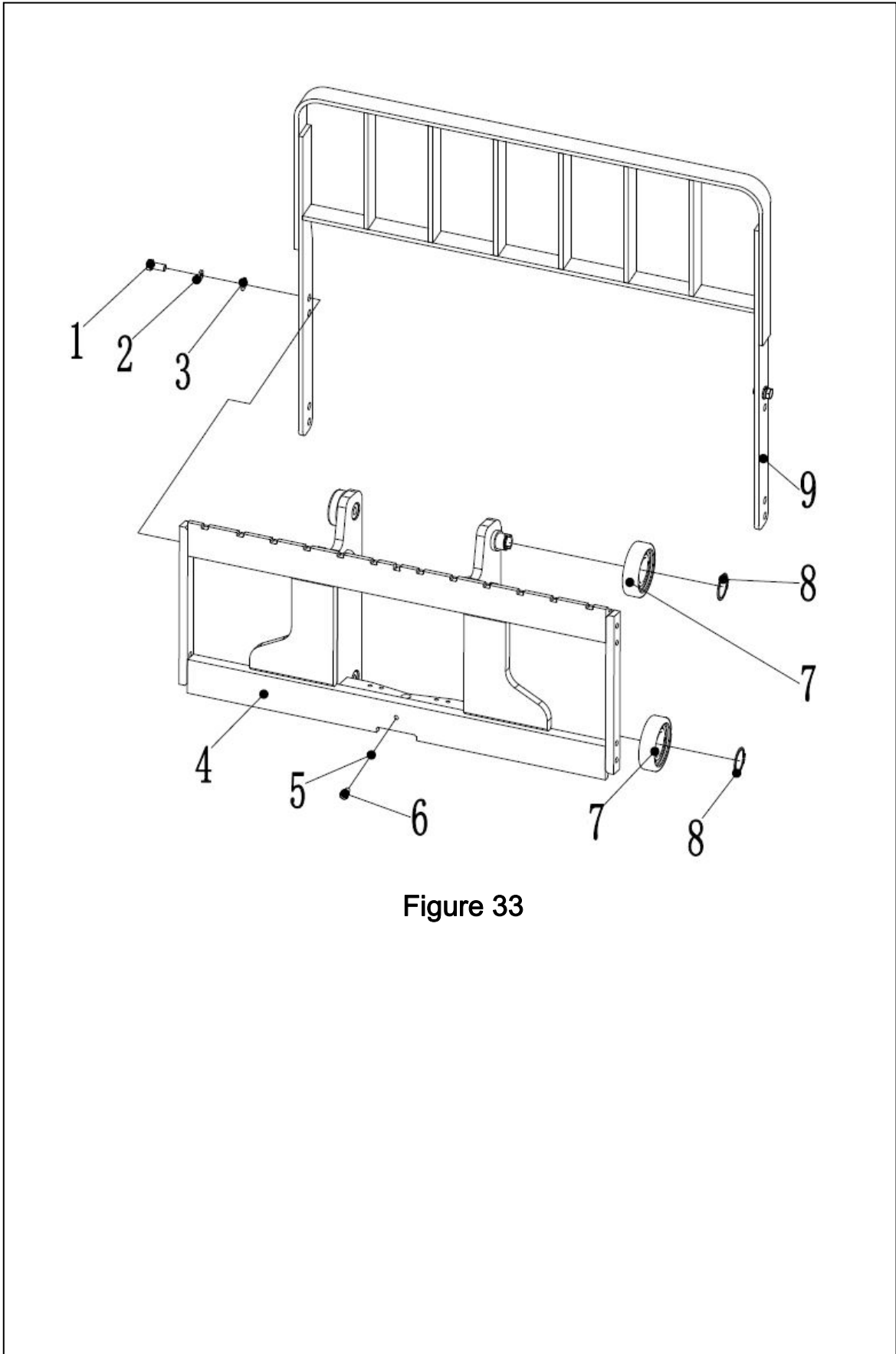


Figure 33

Fork carrier(three stage full free)

NO.	SN	Name	QTY	Remarks
1	910100300062	Bolt GB5783-M14x30-8.8	8	
2	910400500009	Spring Washer GB93-14	8	
3	910400100009	Washer GB97.1-14-200HV	8	
4	254138010021	Fork carrier welding (three stage full free)	1	
5	910400500007	Spring Washer GB93-10	1	
6	910200200077	Screw GB70.1-M10x30-8.8	1	
7	940200300007	Roller Φ 78.3-range=45.3-49.3	4	
8	910401300018	Washer GB894.1-35	4	
9	253040510001	Fork carrier welding	1	

Mast (standard mast)

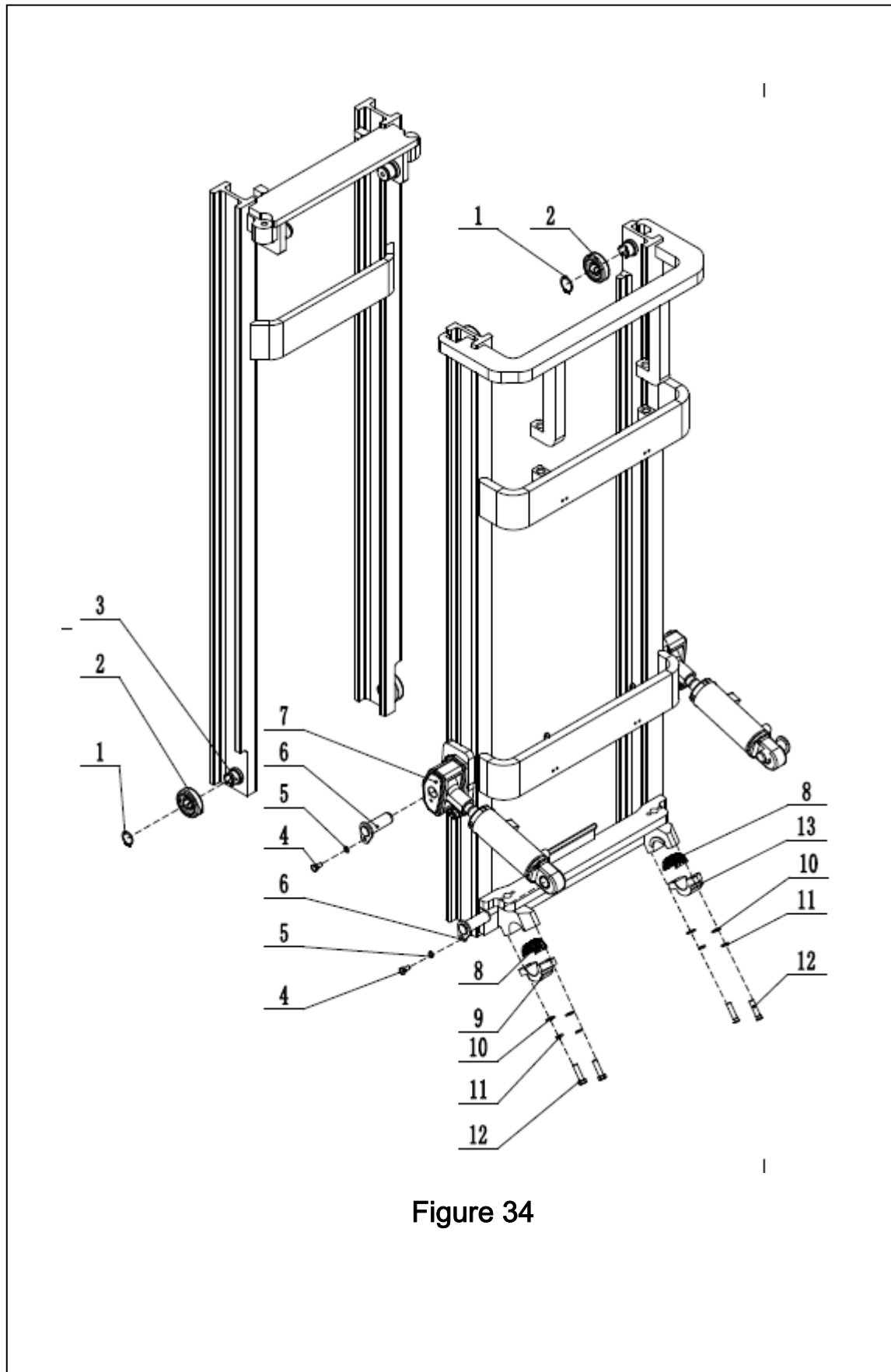


Figure 34

Figure 34 Mast (standard mast)

NO.	SN	Name	QTY	Remarks
1	910401300020	Cir clip GB894.1-40	4	
2	940200300007	Roller Φ 78.3-range=45.3-49.3	4	
3	281244012001	Mast (2500)	1	H=2500
	281244012002	Mast (2700)	1	H=2700
	281244012003	Mast (3000)	1	H=3000
	281244012004	Mast (3300)	1	H=3300
	281244012005	Mast (3500)	1	H=3500
	281244012006	Mast (3700)	1	H=3700
	281244012007	Mast (4000)	1	H=4000
	281244012008	Mast (4300)	1	H=4300
	281244012009	Mast (4500)	1	H=4500
	281244012010	Mast (5000)	1	H=5000
4	910100300035	Bolt GB5783-M10x20-8.8	4	
5	910400500007	Spring washer GB93-10	6	
6	255044010057	Axle Φ 30x82	4	
7	281244011001	Mast (2500)	1	H=2500
	281244011002	Mast (2700)	1	H=2700
	281244011003	Mast (3000)	1	H=3000
	281244011004	Mast (3300)	1	H=3300
	281244011005	Mast (3500)	1	H=3500
	281244011006	Mast (3700)	1	H=3700
	281244011007	Mast (4000)	1	H=4000
	281244011008	Mast (4300)	1	H=4300
	281244011009	Mast (4500)	1	H=4500
	281244011010	Mast (5000)	1	H=5000
8	281244020104	Bearing bush	2	
9	281244020102	Bearing cover(left)	1	
10	910400100008	washer GB97.1-12-200HV	4	
11	910400500008	Spring washer GB93-12	6	
12	910100100047	Bolt GB5782-M12x45-8.8	4	
13	281244020103	Bearing cover(right)	1	

Mast (two stage full free)

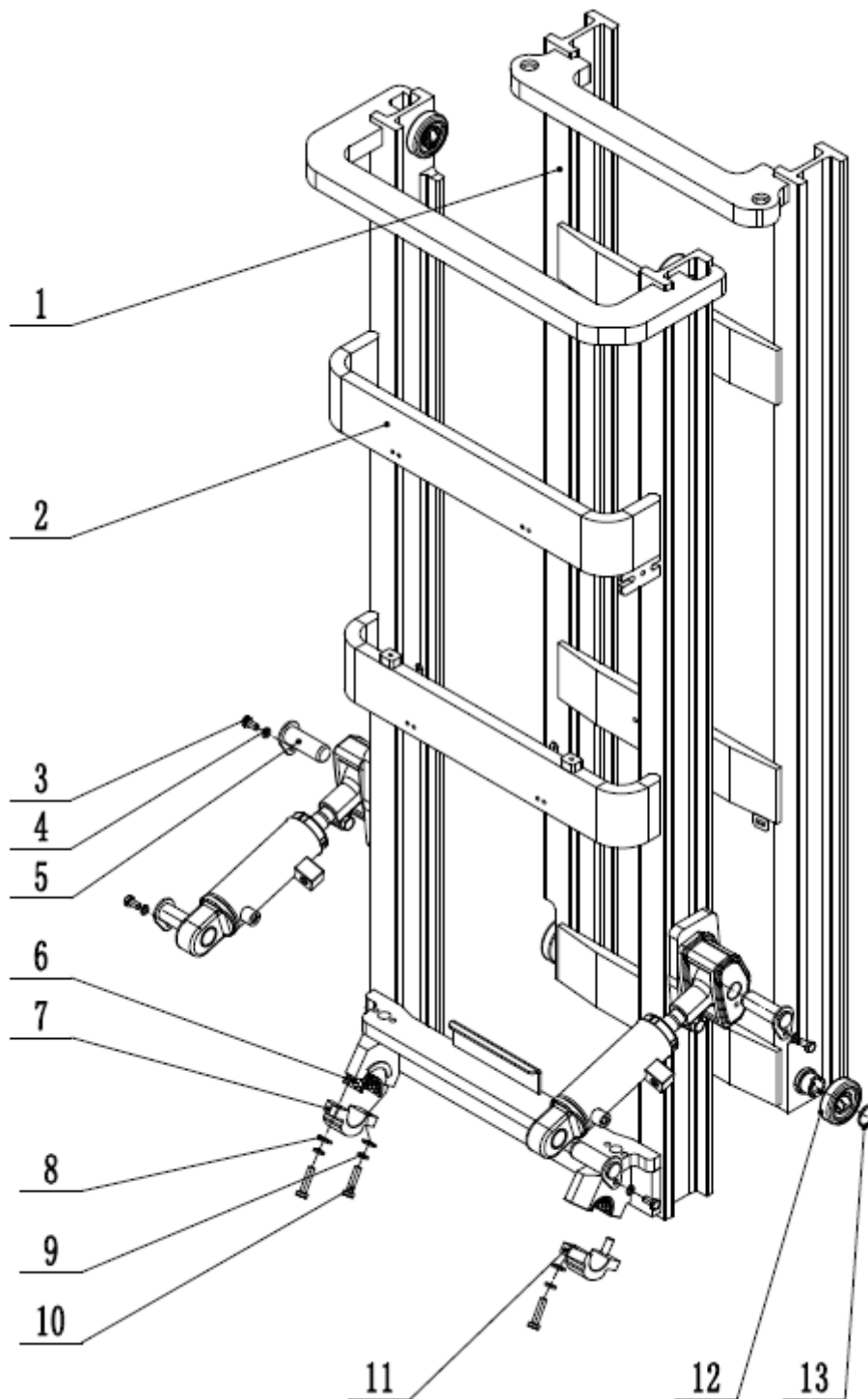


Figure 35

Figure 35 Mast (two stage full free)

NO.	SN	Name	QTY	Remarks
1	281243502201	Mast (2500)	1	H=2500
	281243502202	Mast (2700)	1	H=2700
	281243502203	Mast (3000)	1	H=3000
	281243502204	Mast (3300)	1	H=3300
	281243502205	Mast (3500)	1	H=3500
	281243502206	Mast (3700)	1	H=3700
	281243502207	Mast (4000)	1	H=4000
	281243502208	Mast (4300)	1	H=4300
	281243502209	Mast (4500)	1	H=4500
	281243502210	Mast (5000)	1	H=5000
2	281243502101	Mast (2500)	1	H=2500
	281243502102	Mast (2700)	1	H=2700
	281243502103	Mast (3000)	1	H=3000
	281243502104	Mast (3300)	1	H=3300
	281243502105	Mast (3500)	1	H=3500
	281243502106	Mast (3700)	1	H=3700
	281243502107	Mast (4000)	1	H=4000
	281243502108	Mast (4300)	1	H=4300
	281243502109	Mast (4500)	1	H=4500
	281243502110	Mast (5000)	1	H=5000
3	910100300035	Bolt GB5783-M10x20-8.8	4	
4	910400500007	Spring washer GB93-10	4	
5	255044010057	Axle Φ 30x82	4	
6	281244020104	Bearing bush	2	
7	281244020102	Bearing cover(left)	1	
8	910400100008	washer GB97.1-12-200HV	4	
9	910400500008	Spring washer GB93-12	6	
10	910100100047	Bolt GB5782-M12x45-8.8	4	
11	281244020103	Bearing cover(right)	1	
12	940200300007	Roller Φ 78.3-range=45.3-49.3	4	
13	910401300020	Cir clip GB894.1-40	4	

Mast (three stage full free)

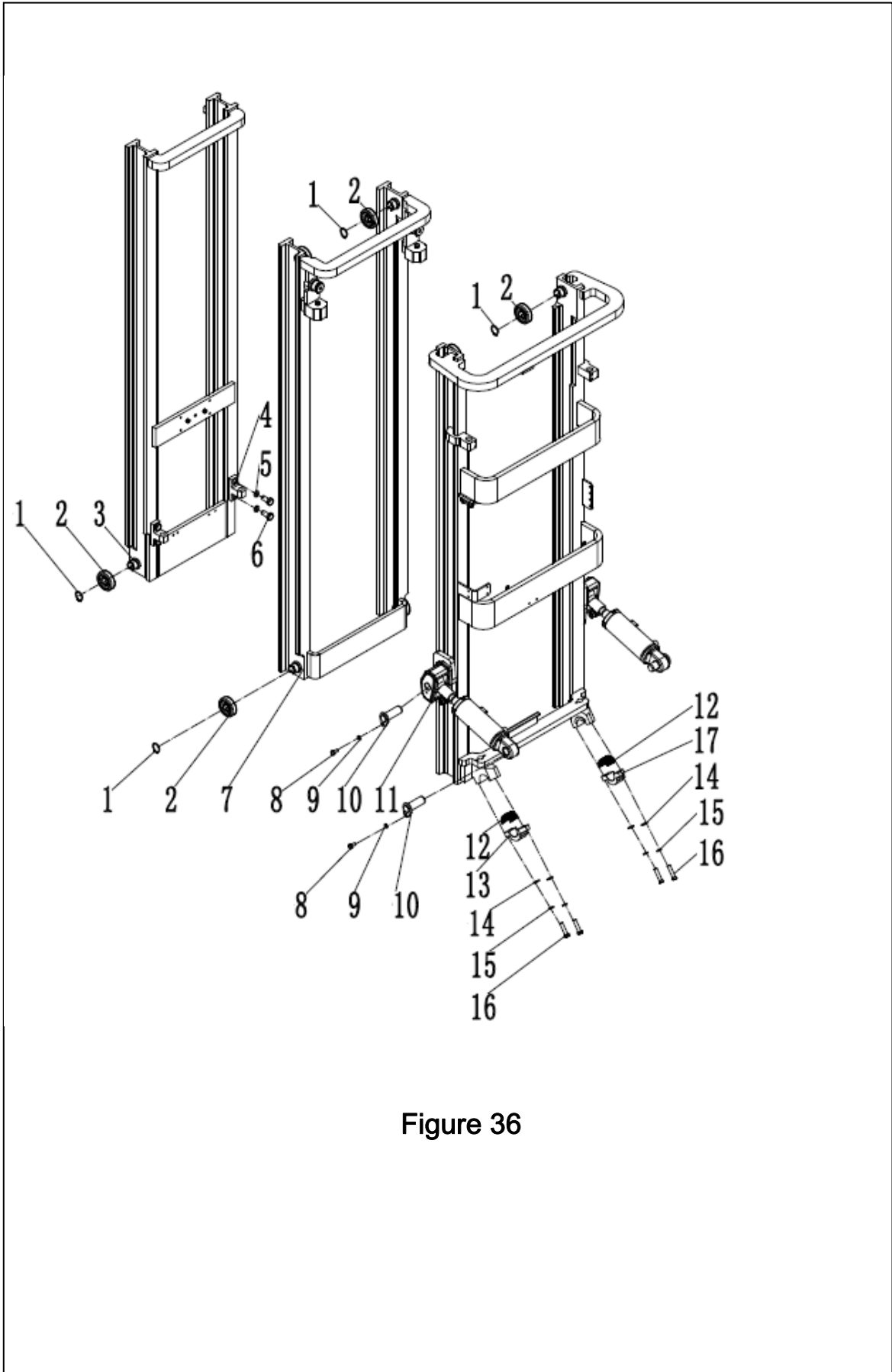


Figure 36

Figure 36 Mast (three stage full free)

NO.	SN	Name	QTY	Remarks
1	910401300018	Cir clip GB894.1-32	8	
2	940200300007	Roller Φ 78.3-range=45.3-49.3	8	
3	281244512001	Mast 4000	1	H=4000
	281244512002	Mast 4350	1	H=4350
	281244512003	Mast 4500	1	H=4500
	281244512004	Mast 4800	1	H=4800
	281244512005	Mast 5000	1	H=5000
	281244512006	Mast 5500	1	H=5500
	281244512007	Mast 6000	1	H=6000
4	254144520030	Chain plate	2	
5	910400500010	spring washer GB93-16	4	
6	910100400028	Bolt GB5783-M16X1.5X35-8.8	4	
7	281244513001	Mast 4000	4	H=4000
	281244513002	Mast 4350	1	H=4350
	281244513003	Mast 4500	1	H=4500
	281244513004	Mast 4800	1	H=4800
	281244513005	Mast 5000	1	H=5000
	281244513006	Mast 5500	1	H=5500
	281244513007	Mast 6000	1	H=6000
8	910100300035	Bolt GB5783-M10x20-8.8	4	
9	910400500007	spring washer GB93-10	4	
10	255044010057	Axle Φ 30x82	4	
11	281244511001	Mast 4000	1	H=4000
	281244511002	Mast 4350	1	H=4350
	281244511003	Mast 4500	1	H=4500
	281244511004	Mast 4800	1	H=4800
	281244511005	Mast 5000	1	H=5000
	281244511006	Mast 5500	1	H=5500
	281244511007	Mast 6000	1	H=6000

Mast (three stage full free)

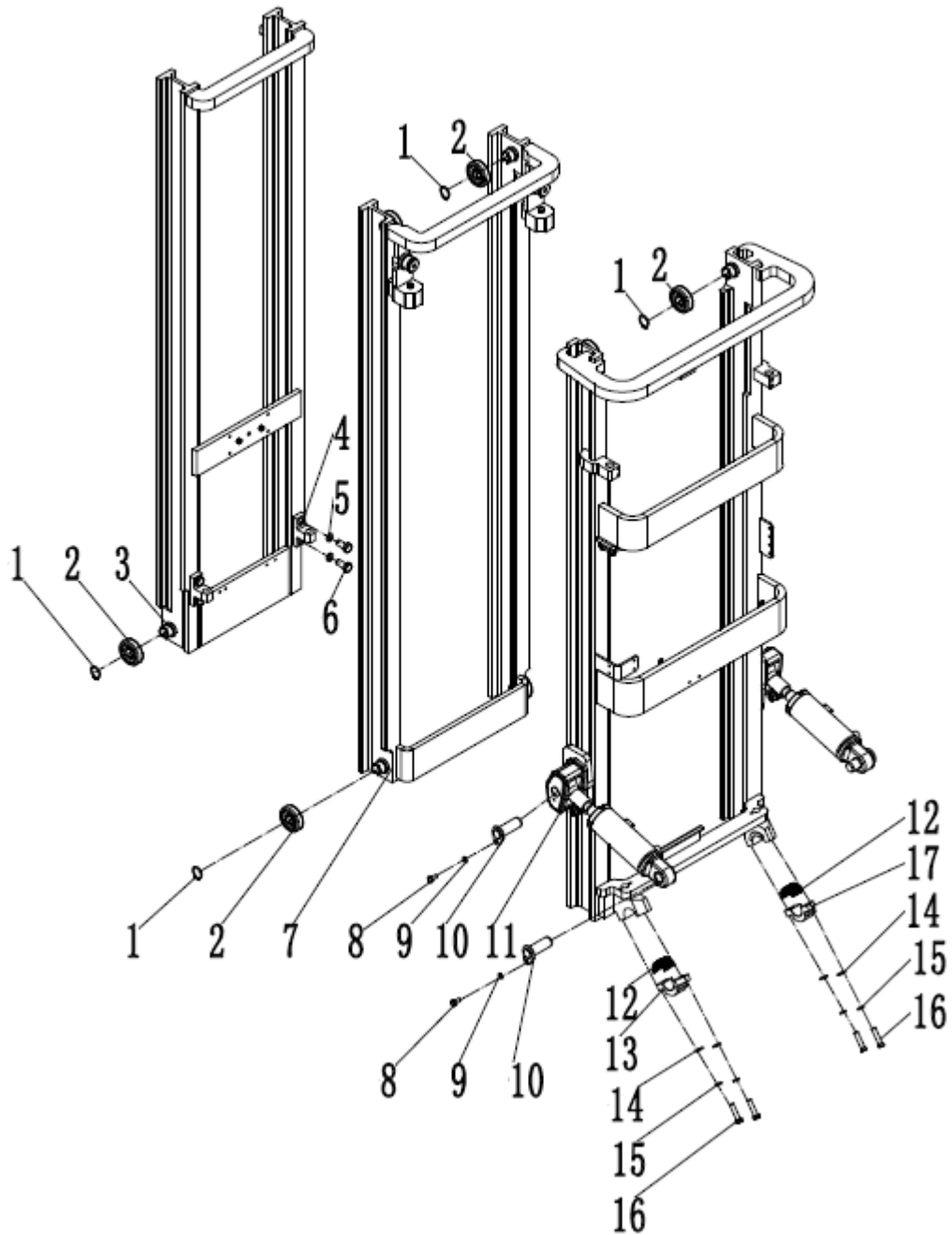


Figure 36

Figure 36 Mast (three stage full free)

NO.	SN	Name	QTY	Remarks
12	281244020104	Bearing bush	2	
13	281244020102	Bearing cover(left)	1	
14	910400100008	washer GB97.1-12-200HV	4	
15	9104005e00008	spring washer GB93-12	4	
16	910100100047	bolt GB5782-M12x45-8.8	4	
17	281244020103	Bearing cover(right)	1	

Lifting cylinder(standard mast)

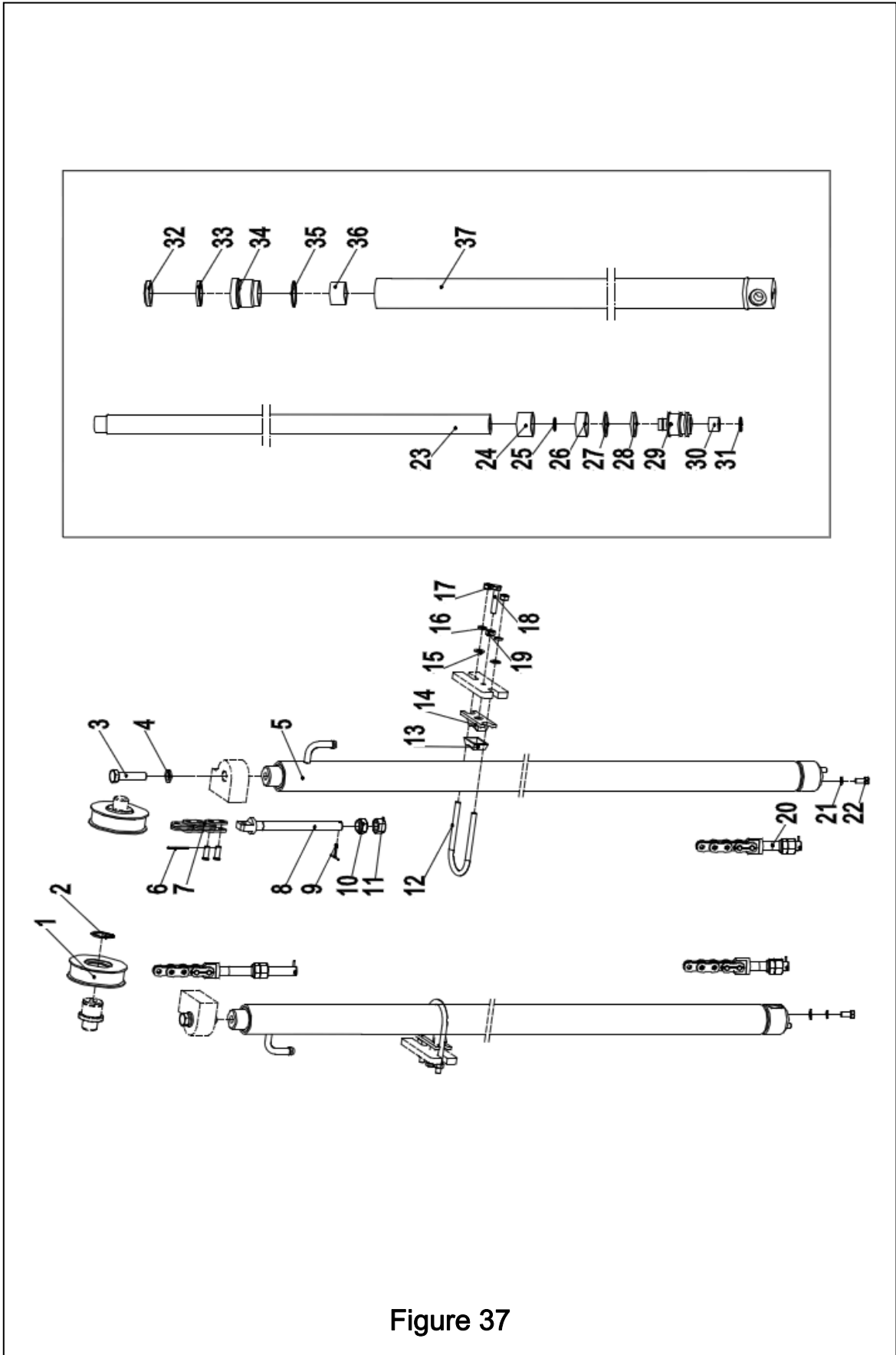


Figure 37

Figure 37 Lifting cylinder(standard mast)

NO.	SN	Name	QTY	Remarks
1	940200500003	Chain wheel bearing780708K-φ110xφ40x27	2	
2	910401300020	Cir clip GB894.1-40	2	
3	910100300051	Bolt GB5786-M16x1.5x40-8.8	2	
4	910400500008	Spring washer GB93-12	2	
5	254144010021	Cylinder Φ56xΦ45x995(H=2000)	2	H=2500
	254144010022	Cylinder Φ56xΦ45x1245(H=2500)	2	H=2700
	254144010023	Cylinder Φ56xΦ45x1495(H=3000)	2	H=3000
	254144010024	Cylinder Φ56xΦ45x1645(H=3300)	2	H=3300
	254144010025	Cylinder Φ56xΦ45x1745(H=3500)	2	H=3500
	254144010026	Cylinder Φ56xΦ45x1795(H=3600)	2	H=3700
	254144010027	Cylinder Φ56xΦ45x1845(H=3700)	2	H=4000
	254144010028	Cylinder Φ56xΦ45x2045(H=4000)	2	H=4300
	254144010029	Cylinder Φ56xΦ45x2195(H=4300)	2	H=4500
	254144010030	Cylinder Φ56xΦ45x2295(H=4500)	2	H=5000
6	▲	Split pin 2.5x40	2	Belong to A
7	▲	LH1623 chain	2	Belong to A
8	▲	Joint	2	Belong to A
9	▲	Split pin 3.2x30	2	Belong to A
10	▲	Nut M18x1.5	2	Belong to A
11	▲	Nut M18x1.5	2	Belong to A
12	254144020060	Fixing ring	2	
13	254144020061	Rubber bushing	2	
14	254144020062	Fixing seat	2	
15	910400100006	Washer GB97.1-8-200HV	4	
16	910400500006	Spring washer GB93-8	4	
17	910300100006	Nut GB6170-M8-10	4	
18	910300100007	Nut GB6170-M10-10	2	
19	910100300038	Bolt GB5783-M10x35-8.8	2	
20	▲	Joint	2	Belong to A

Note: ▲ will not be provided seperately

Lifting cylinder(standard mast)

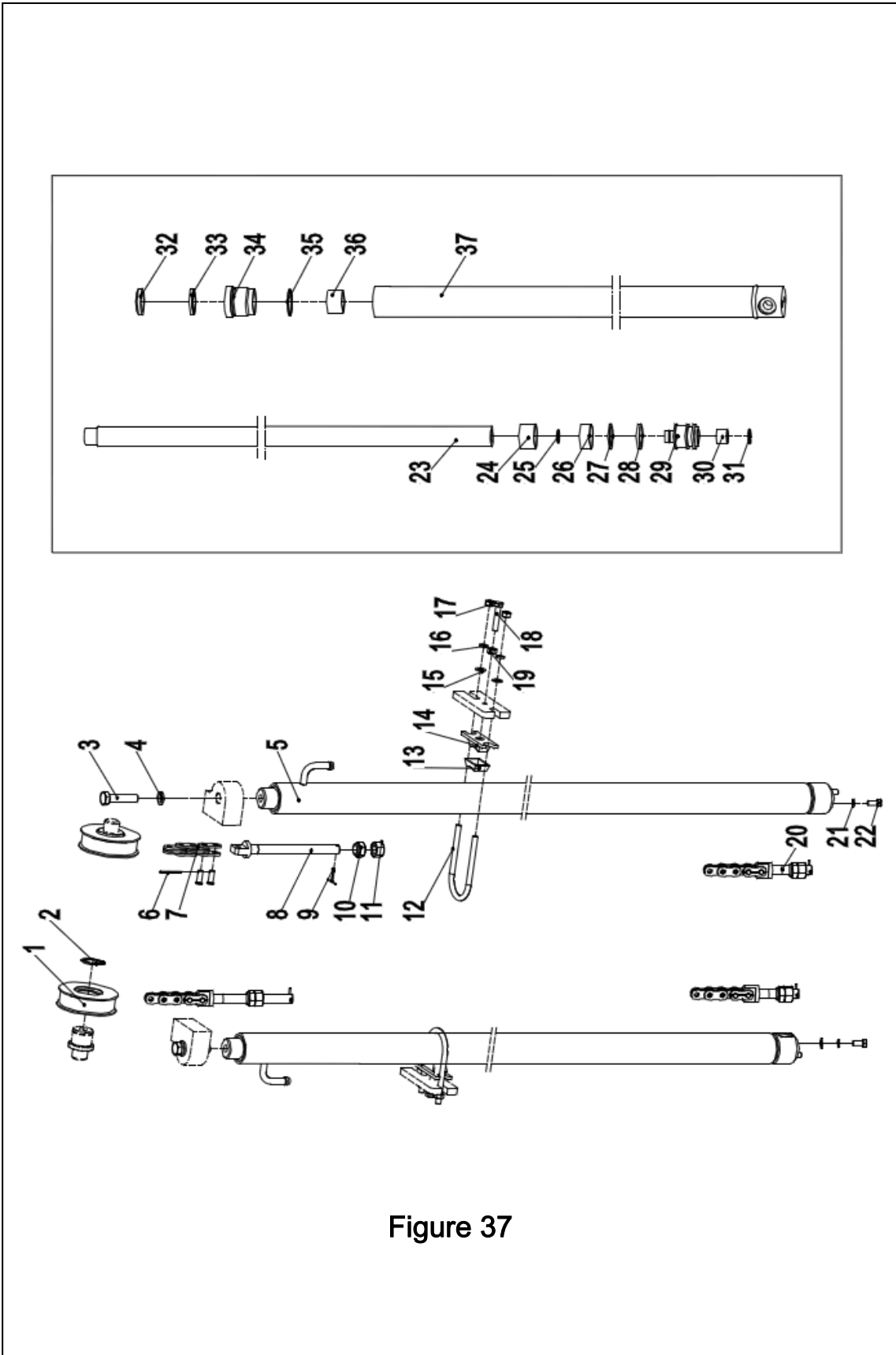


Figure 37

Lifting cylinder(standard mast)

NO.	SN	Name	QTY	Remarks
21	910400500007	Spring washer GB93-10	6	
22	910100400002	Bolt GB5786-M10x1.25x20-8.8	2	
23	▲	Piston rod	1	
24	▲	Adjusting bushing ϕ 35.5x ϕ 44xL1	1	
25	▲	Cir clip	1	
26	▲	Bearing D45x8(t=2.5)	1	
27	▲	Catch 35x45x3	1	
28	▲	Seal ring 45x35x6	1	
29	▲	Piston rod	1	
30	▲	Copper bushing	1	
31	▲	Cir clip	1	
32	▲	Buffering ring 35x47x7	1	
33	▲	Dust ring35x45x6	1	
34	▲	Guide sleeve	1	
35	▲	O ring 44.7x2.4	1	
36	▲	Bearing 3530	1	
37	▲	Cylinder	1	
A	254198510001	Dowel pin	2	Inc 27.29.34.35.37
B	254144010031	Lifting chain LH1223-89	2	H=2500
	251044510082	Lifting chain LH1223-95	2	H=2700
	251044510083	Lifting chain LH1223-103	2	H=3000
	251044510084	Lifting chain LH1223-111	2	H=3300
	251044010047	Lifting chain LH1223-115	2	H=3500
	254144010032	Lifting chain LH1223-121	2	H=3700
	254144010033	Lifting chain LH1223-139	2	H=4000
	284044010039	Lifting chain LH1223-147	2	H=4300
	254144010034	Lifting chain LH1223-153	2	H=4500
	254144010035	Lifting chain LH1223-169	2	H=5000

Note: ▲will not be provided seperately

Short lifting cylinder(two stage full free)

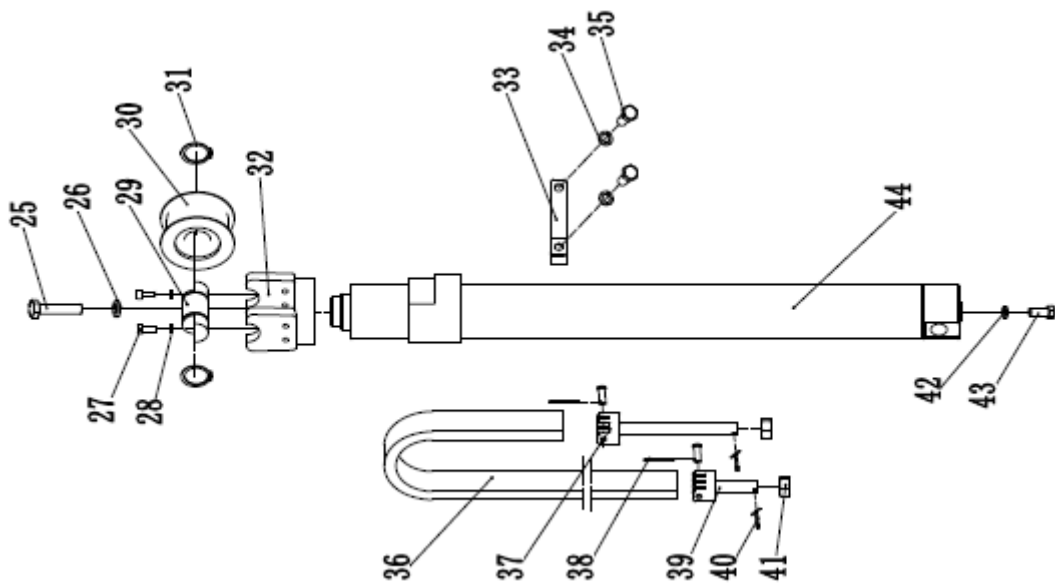
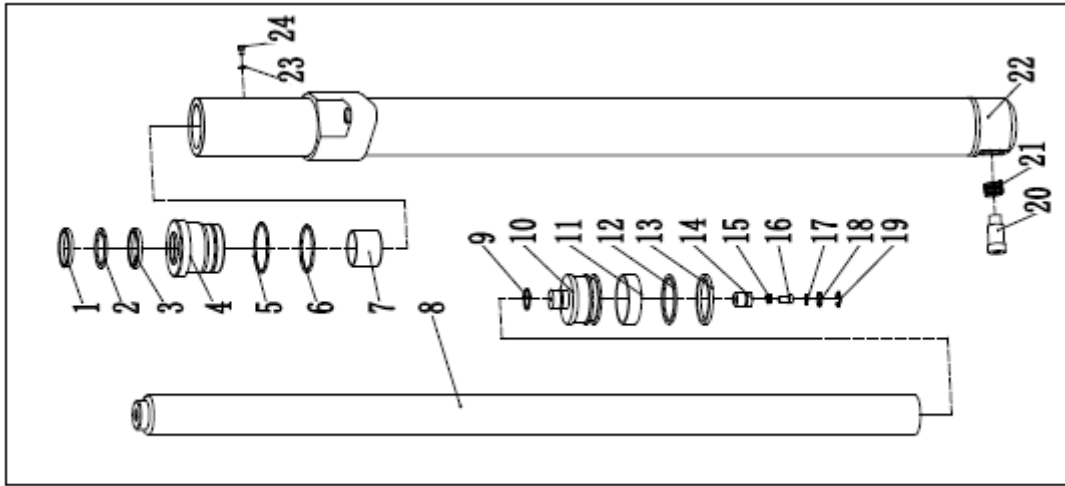


Figure 38

Figure 38 Short lifting cylinder(two stage full free)

NO.	SN	Name	QTY	Remarks
A	254143510060	Lifting chain LH1266-65	2	H=2500
	254143510061	Lifting chain LH1266-71	2	H=2700
	254143510062	Lifting chain LH1266-79	2	H=3000
	254143510063	Lifting chain LH1266-87	2	H=3300
	254143510064	Lifting chain LH1266-93	2	H=3500
	254143510065	Lifting chain LH1266-97	2	H=3700
	254143510066	Lifting chain LH1266-105	2	H=4000
	254143510067	Lifting chain LH1266-113	2	H=4300
	254143510068	Lifting chain LH1266-119	2	H=4500
	254143510069	Lifting chain LH1266-133	2	H=5000
1	▲	Dust ring 50x58x7/6.5	1	
2	▲	Catch 50x60x3	1	
3	▲	Seal ring 50x60x6	1	
4	▲	Guide sleeve	1	
5	▲	O ring D75x3.1	1	
6	▲	O ring D70x3.1	1	
7	▲	Bearing 5035	1	
8	▲	Piston rod	1	
9	▲	Circlip	1	
10	▲	Piston assembly	1	
11	▲	Back up ring 70x20x3	1	
12	▲	Circlip 70x60x3	1	
13	▲	Seal ring 70x60x6	1	
14	▲	Valve bushing	1	
15	▲	Spring	1	
16	▲	Valve plug	1	
17	▲	O ring D20x2.4	1	
18	▲	Cir clip ϕ 12	1	
19	▲	Cir clip ϕ 22	1	
20	▲	Slide valve	1	
21	▲	Spring	1	
22	▲	Cylinder	1	
23	▲	Spacer	1	
24	▲	Screw M5x5	1	
25	▲	Bolt GB5789-M16x40-8.8	1	

Short lifting cylinder(two stage full free)

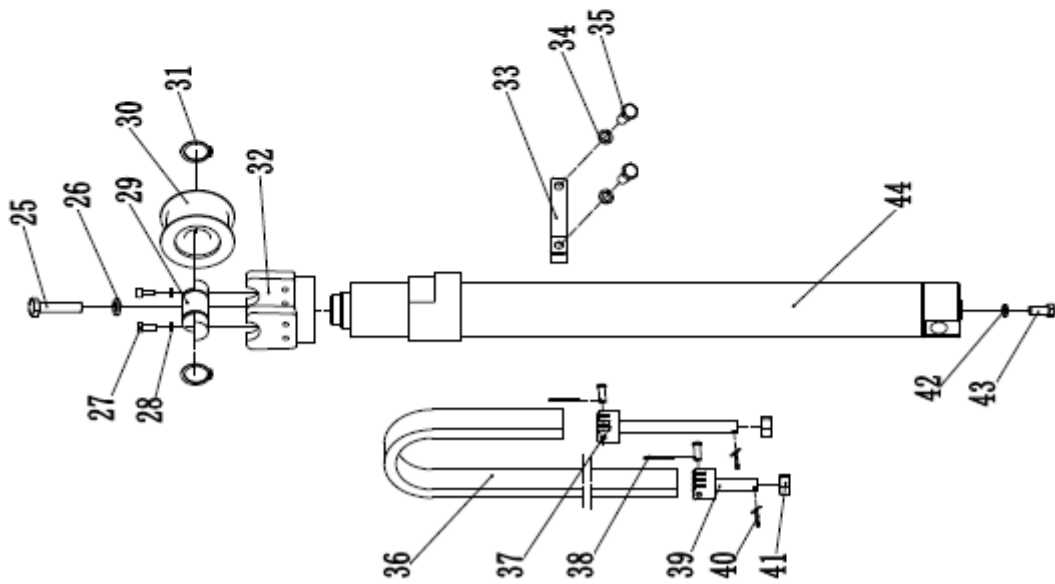
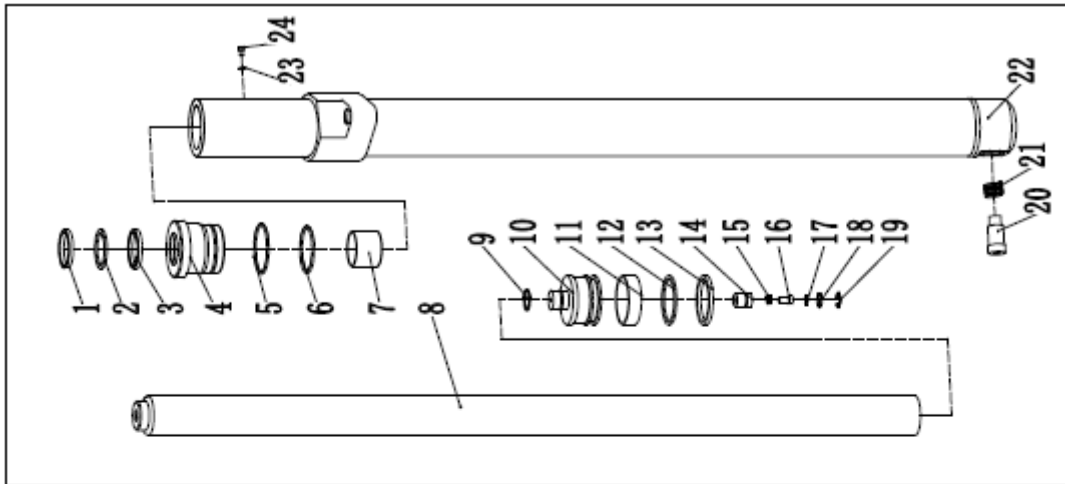


Figure 38

Figure 38 Short lifting cylinder(two stage full free)

NO.	SN	Name	QTY	Remarks
26	910400500010	Spring washer GB93-16	1	
27	941100400001	Screw M8x20-8.8	2	
28	910400500006	Spring washer GB93-8	4	
29	254143520056	Chain plate	1	
30	940200500009	Chain wheel bearing 785208-00- ϕ 95x ϕ 40x ϕ 47	1	
31	910401300020	Cir clip GB894.1-40	2	
32	254143510050	Chain plate	1	
33	254143520072	hoop	1	
34	910400100006	washer GB97.1-8-200HV	2	
35	910100300022	Bolt GB5783-M8x20-8.8	2	
36	▲	LH1266 Chain	1	Belong to A
37	▲	Joint	1	Belong to A
38	▲	Split pin GB91-3.2x40	1	Belong to A
39	▲	Joint	1	Belong to A
40	▲	Split pin 2.5X16	2	Belong to A
41	▲	Nut M18X1.5	2	Belong to A
42	910400500008	Spring washer GB93-12	1	
43	910100400009	Bolt GB5786-M12x1.25x25-8.8	1	
44	254143510100	Cylinder (M) Φ 70x Φ 55x630	1	Inc 1-24
	254143510101	Cylinder (M) Φ 70x Φ 55x680	1	
	254143510102	Cylinder (M) Φ 70x Φ 55x755	1	
	254143510103	Cylinder (M) Φ 70x Φ 55x830	1	
	254143510104	Cylinder (M) Φ 70x Φ 55x880	1	
	254143510105	Cylinder (M) Φ 70x Φ 55x930	1	
	254143510106	Cylinder (M) Φ 70x Φ 55x1005	1	
	254143510107	Cylinder (M) Φ 70x Φ 55x1080	1	
	254143510108	Cylinder (M) Φ 70x Φ 55x1130	1	
	254143510109	Cylinder (M) Φ 70x Φ 55x1255	1	
B	254198510004	Seal kits (two stage full free middle cylinder)	1	Inc 1.3.5.6.13.18

Short lifting cylinder(two stage full free)

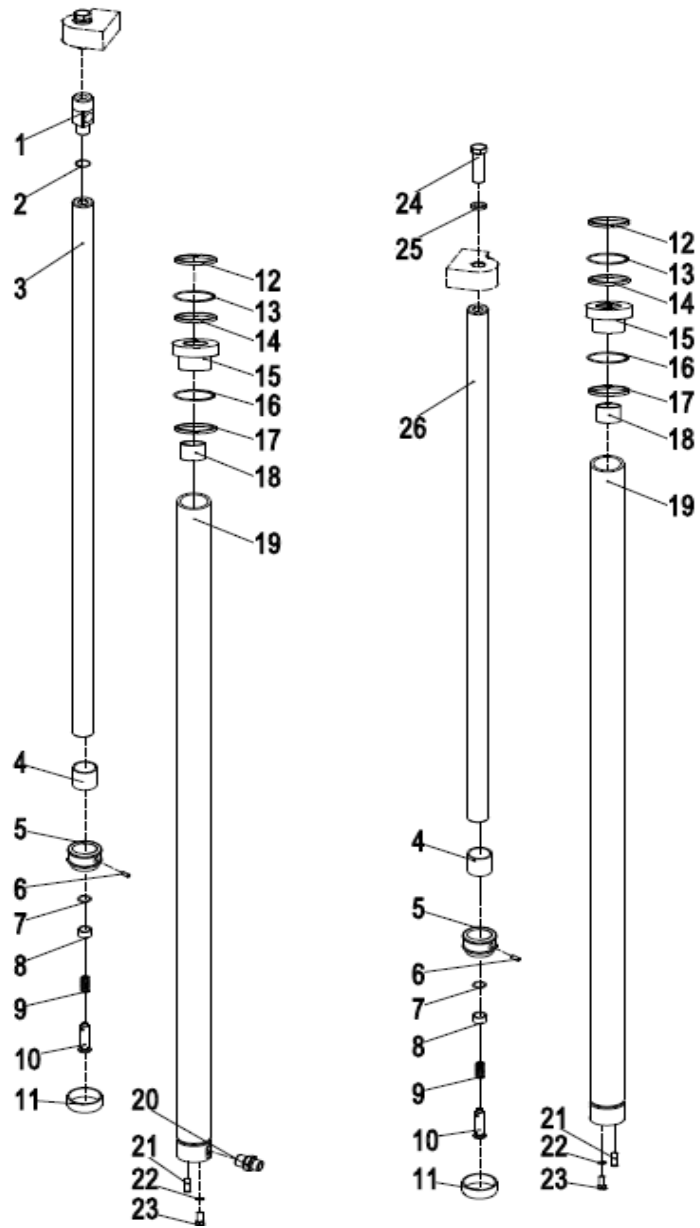


Figure 39

Figure 39 Short lifting cylinder(two stage full free)

NO.	SN	Name	QTY	Remarks
A	254143510120	Cylinder (R) Φ 45x Φ 32x1225	1	Inc 1-21
	254143510121	Cylinder (R) Φ 45x Φ 32x1325		
	254143510122	Cylinder (R) Φ 45x Φ 32x1475		
	254143510123	Cylinder (R) Φ 45x Φ 32x1625		
	254143510124	Cylinder (R) Φ 45x Φ 32x1725		
	254143510125	Cylinder (R) Φ 45x Φ 32x1825		
	254143510126	Cylinder (R) Φ 45x Φ 32x1975		
	254143510127	Cylinder (R) Φ 45x Φ 32x2125		
	254143510128	Cylinder (R) Φ 45x Φ 32x2225		
	254143510129	Cylinder (R) Φ 45x Φ 32x2475		
B	254143510110	Cylinder (L) Φ 45x Φ 32x1225	1	Inc 4-21.24
	254143510111	Cylinder (L) Φ 45x Φ 32x1325		
	254143510112	Cylinder (L) Φ 45x Φ 32x1475		
	254143510113	Cylinder (L) Φ 45x Φ 32x1625		
	254143510114	Cylinder (L) Φ 45x Φ 32x1725		
	254143510115	Cylinder (L) Φ 45x Φ 32x1825		
	254143510116	Cylinder (L) Φ 45x Φ 32x1975		
	254143510117	Cylinder (L) Φ 45x Φ 32x2125		
	254143510118	Cylinder (L) Φ 45x Φ 32x2225		
	254143510119	Cylinder (L) Φ 45x Φ 32x2475		
1	▲	Connecting rod	1	
2	▲	O ring 26x2.4	1	
3	▲	Piston rod assembly	1	
4	▲	Adjusting bushing	2	
5	▲	Piston	2	
6	▲	ScrewM4x6	2	
7	▲	Cir clip ϕ 18	2	
8	▲	Copper bushing	2	
9	▲	Spring	2	
10	▲	Buffer plunger	2	
11	▲	Supporting ring 45x15x2.5	2	

Short lifting cylinder(two stage full free)

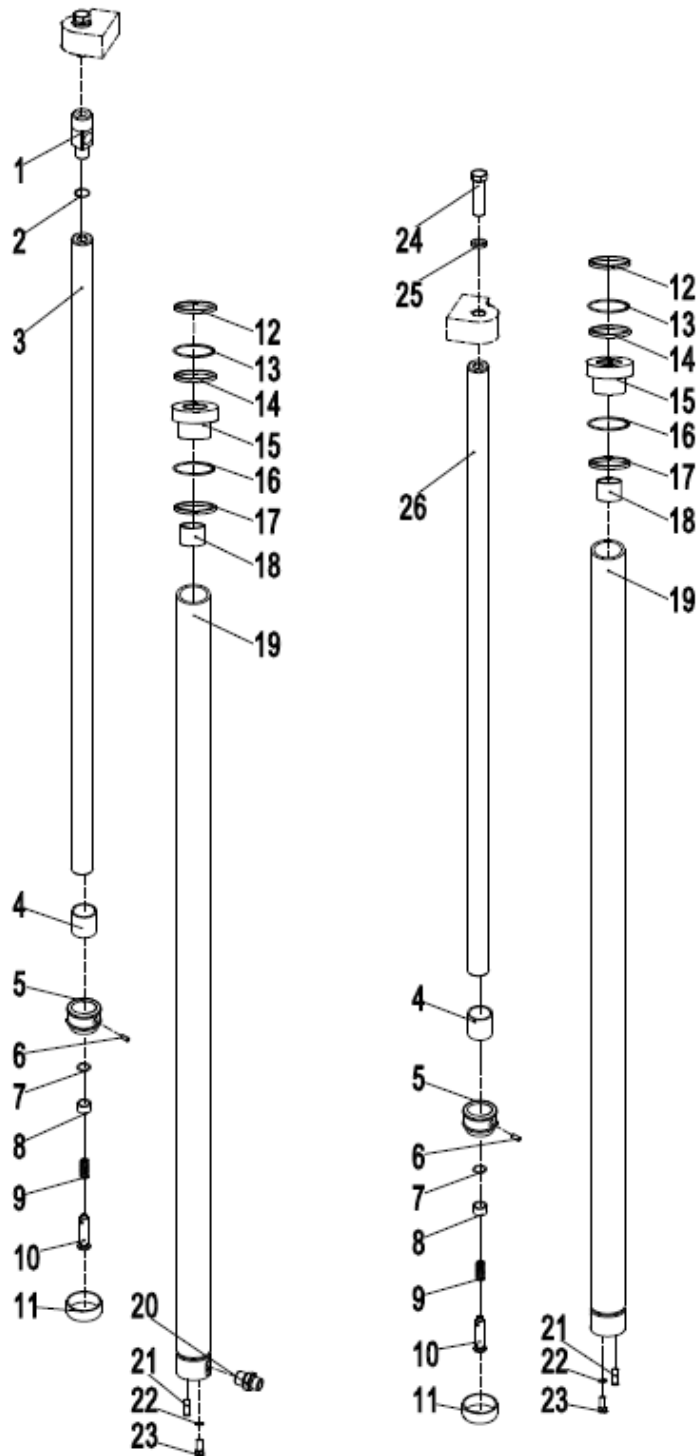


Figure 39

Figure 39 Short lifting cylinder(two stage full free)

NO.	SN	Name	QTY	Remarks
12	▲	LBH Dust ring 32x40x5/6.5	2	
13	▲	Catch 32x42x3	2	
14	▲	Seal ring 40x50x6	2	
15	▲	Guide bushing	2	
16	▲	Catch 45x50x1.5	2	
17	▲	O ring 50x3.1	2	
18	▲	Bearing 3230	2	
19	▲	Cylinder	2	
20	▲	Valve PF3/8-M18x1.5	1	
21	▲	Dowel pin 10x26	2	
22	910400500008	Spring Washer GB93-12	2	
23	910100400009	Bolt GB5786-M12x1.25x25-8.8	2	
24	910100400029	Bolt GB5786-M16x1.5x40-8.8	1	
25	910400500010	Washer GB93-16	1	
26	▲	Plunger rod assembly	1	
C	254198510002	Seal kits (two stage full free lifting cylinder)	2	Inc 2.12.13.16

Note: Spare parts will not be provided seperately

Short lifting cylinder (three stage full free)

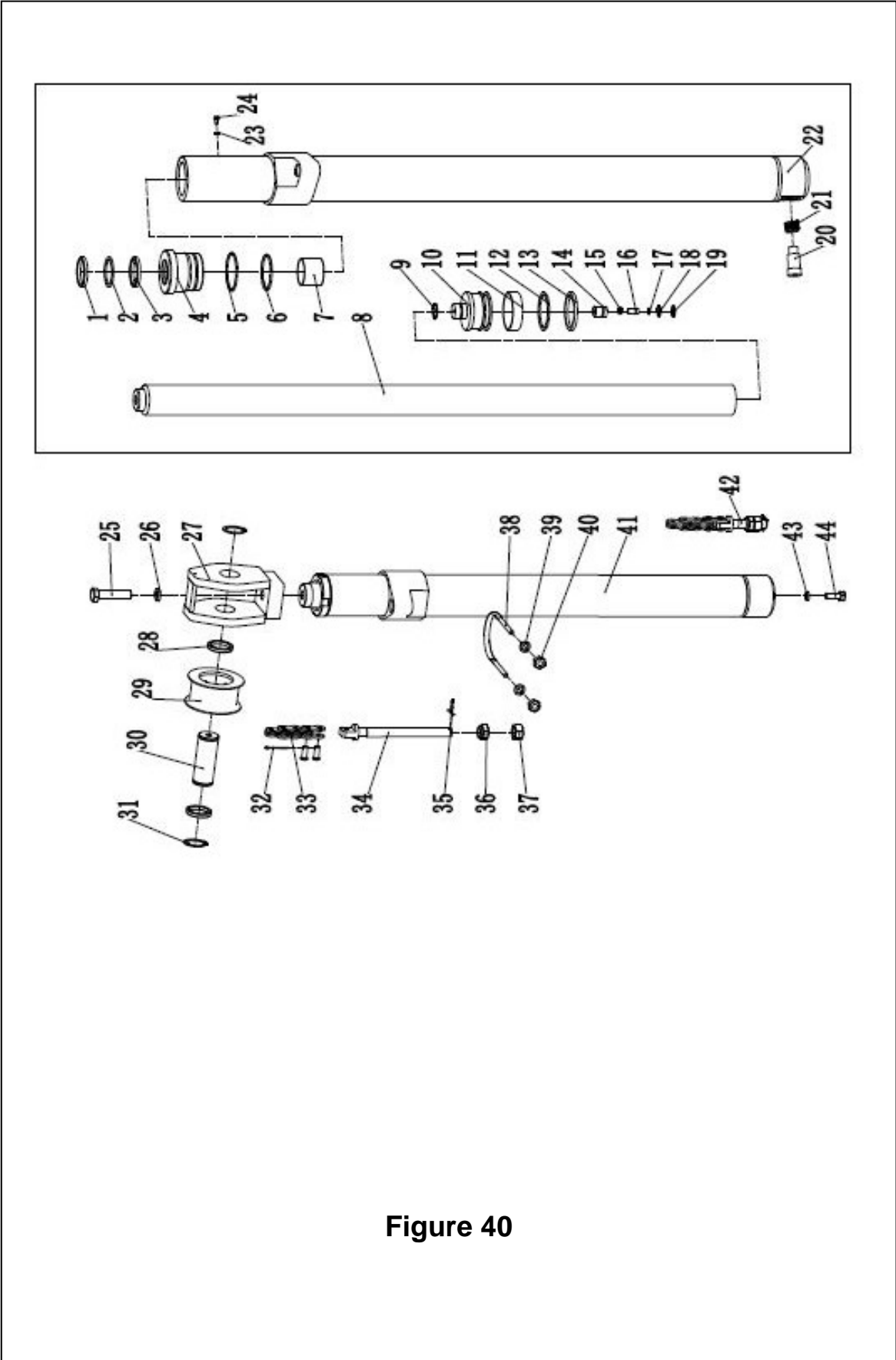


Figure 40

Figure 40 Short lifting cylinder (three stage full free)

NO.	SN	Name	QTY	Remarks
A	254144510014	Lifting chain LH1266-71	2	H=4000
	254144510015	Lifting chain LH1266-73	2	H=4350
	254144510016	Lifting chain LH1266-75	2	H=4500
	254144510017	Lifting chain LH1266-77	2	H=4800
	254143510062	Lifting chain LH1266-79	2	H=5000
	254144510018	Lifting chain LH1266-83	2	H=5500
	254144510019	Lifting chain LH1266-89	2	H=6000
1	▲	Dust ring 50x58x6.5	1	
2	▲	Catch 50×60×3	1	
3	▲	Seal ring 50×60×6	1	
4	▲	Glide sleeve	1	
5	▲	O ring D75X3.1	1	
6	▲	O ring D70x3.1	1	
7	▲	Bearing 5035	1	
8	▲	Piston rod	1	
9	▲	Cir clip	1	
10	▲	Piston assembly	1	
11	▲	Support ring 70x20x3	1	
12	▲	Catch 70x60x3	1	
13	▲	Seal ring 70x60x6	1	
14	▲	Valve cover	1	
15	▲	Spring	1	
16	▲	Valve plug	1	
17	▲	Catch	1	
18	▲	O ring D20x2.4	1	
19	▲	Cir clip 22	1	
20	▲	Slide valve	1	
21	▲	Spring 2.3x15x48.5	1	
22	▲	Cylinder	1	
23	▲	washer	1	
24	▲	Screw t M5x5	1	
25	910200200123	Screw GB70.1-M16x50-8.8	1	
26	910400500010	Spring washer GB93-16	1	

Short lifting cylinder (three stage full free)

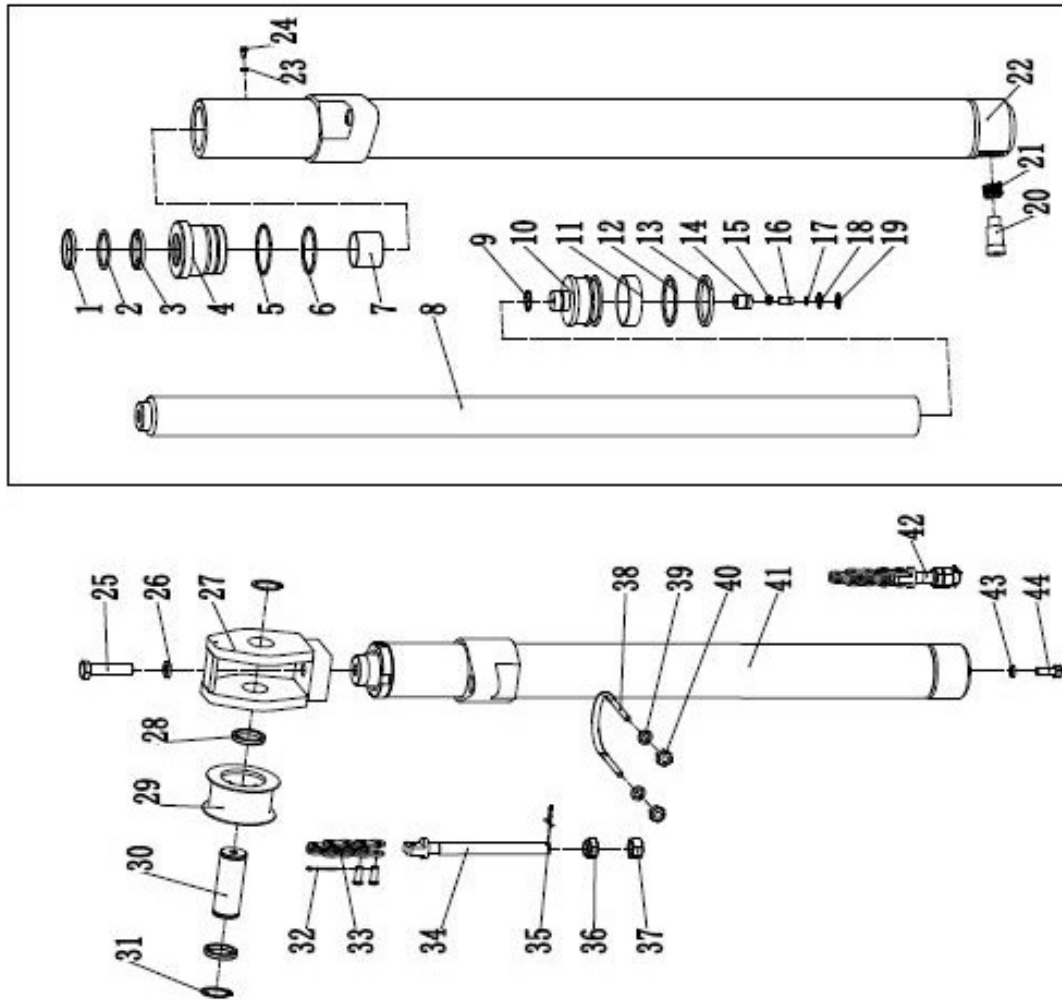


Figure 40

Figure 40 Short lifting cylinder (three stage full free)

NO.	SN	Name	QTY	Remarks
27	254144510020	Chain plate	1	
28	254144520029	Block chain plate	1	
29	940200500009	Chain wheel bearing 785208-00- ϕ 95x ϕ 40x47	1	
30	254144520031	Chain Axle	1	
31	910401300020	Cir clip GB894.1-40	2	
32	▲	split pin 2.5x40	2	Belong to A
33	▲	LH1266 chain	2	Belong to A
34	254143520070	Joint	2	Belong to A
35	▲	split pin 3.2x30	2	Belong to A
36	▲	Nut M18x1.5	2	Belong to A
37	▲	Nut M18x1.5	2	Belong to A
38	254144520032	Cylinder fixing hoop	1	
39	910400500006	SpringWasherGB93-8	2	
40	910300100006	Nut GB6170-M8-10	2	
41	254144510030	Cylinder H=4000	1	Inc 1-24
	254144510031	Cylinder H=4300	1	
	254144510032	Cylinder H=4500	1	
	254144510033	Cylinder H=4800	1	
	254144510034	Cylinder H=5000	1	
	254144510035	Cylinder H=5500	1	
	254144510036	Cylinder H=6000	1	
42	▲	Joint	2	Belong to A
43	910400500008	SpringWasherGB93-12	1	
44	910100400009	Bolt GB5786-M12x1.25x25-8.8	1	
B	254198510005	Seal kits (three stage full free lifting cylinder)	1	Inc 1.3.5.6.13.18

Lifting cylinder(three stage full free)

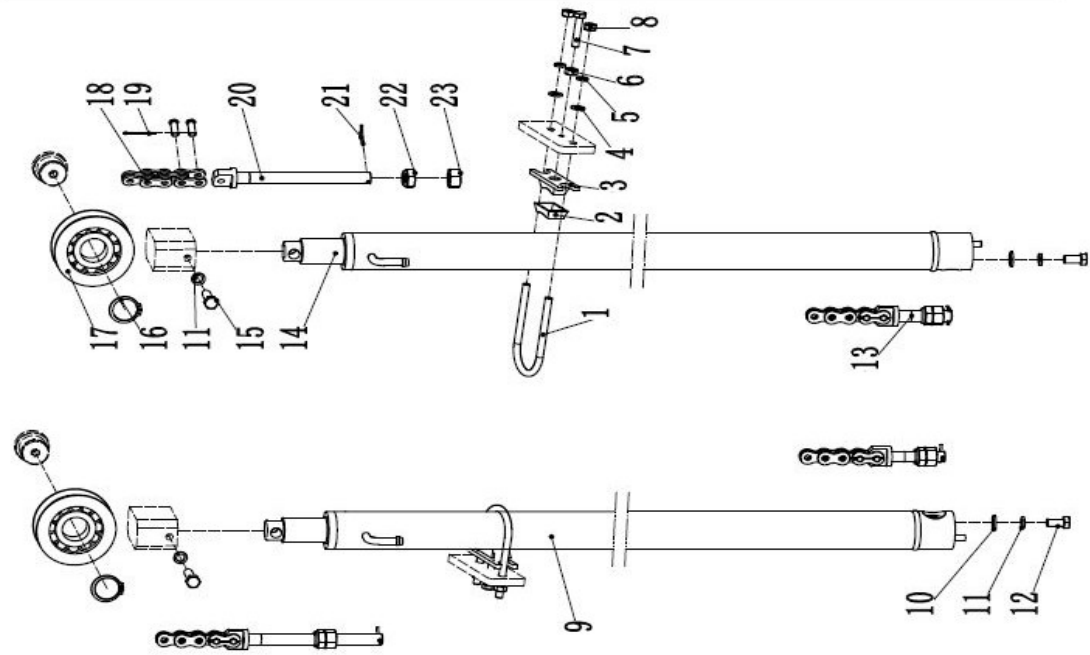
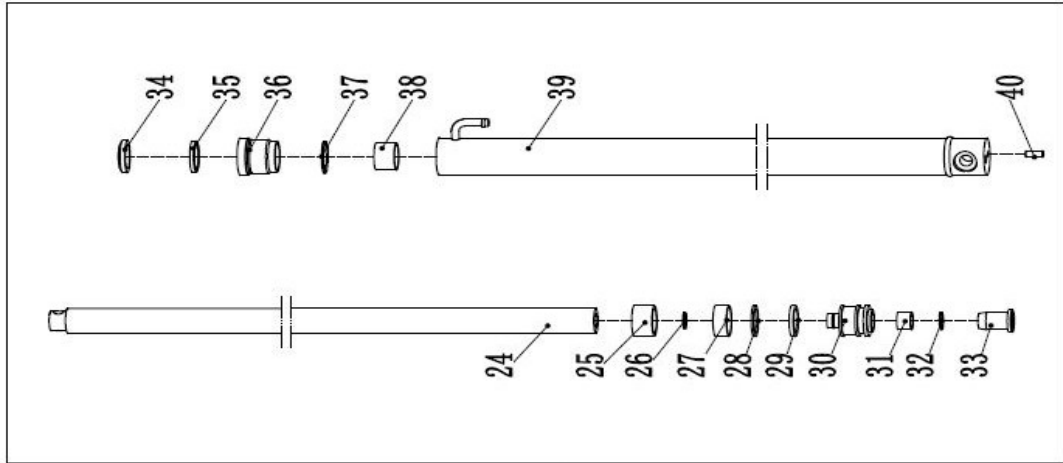


Figure 41

Figure 41 Lifting cylinder(three stage full free)

NO.	SN	Name	QTY	Remarks
1	254144020060	Fixing hoop	2	
2	254144020061	Support block	2	
3	254144020062	Rubber pad	2	
4	910400100006	Washer GB97.1-8-200HV	4	
5	910400500006	Spring Washer GB93-8	4	
6	910300100006	Nut GB6170-M8-10	4	
7	910300100007	Nut GB6170-M10-10	2	
8	910100300038	Bolt GB5783-M10x35-8.8	2	
9	254144510044	Cylinder (L)H=4000	1	Inc 24-40
	254144510045	Cylinder (L)H=4350	1	
	254144510046	Cylinder (L)H=4500	1	
	254144510047	Cylinder (L)H=4800	1	
	254144510048	Cylinder (L)H=5000	1	
	254144510049	Cylinder (L)H=5500	1	
	254144510050	Cylinder (L)H=6000	1	
10	910400100008	Washer GB97.1-12-200HV	2	
11	910400500008	Spring Washer GB93-12	4	
12	910100400009	Bolt GB5786-M12x1.25x25-8.8	2	
13	▲	Bolt M16x1.5-90	2	
14	254144510051	Cylinder (R)H=4000	1	Belong to A inc 24-40
	254144510052	Cylinder (R)H=4350	1	
	254144510053	Cylinder (R)H=4500	1	
	254144510054	Cylinder (R)H=4800	1	
	254144510055	Cylinder (R)H=5000	1	
	254144510056	Cylinder (R)H=5500	1	
	254144510057	Cylinder (R)H=6000	1	
15	910100300053	Bolt GB5783-M12x45-8.8	2	
16	910401300020	Cir clip GB894.1-40	2	
17	940200500003	Chain wheel bearing 780708K1- ϕ 72x ϕ 30x21	2	

Lifting cylinder(three stage full free)

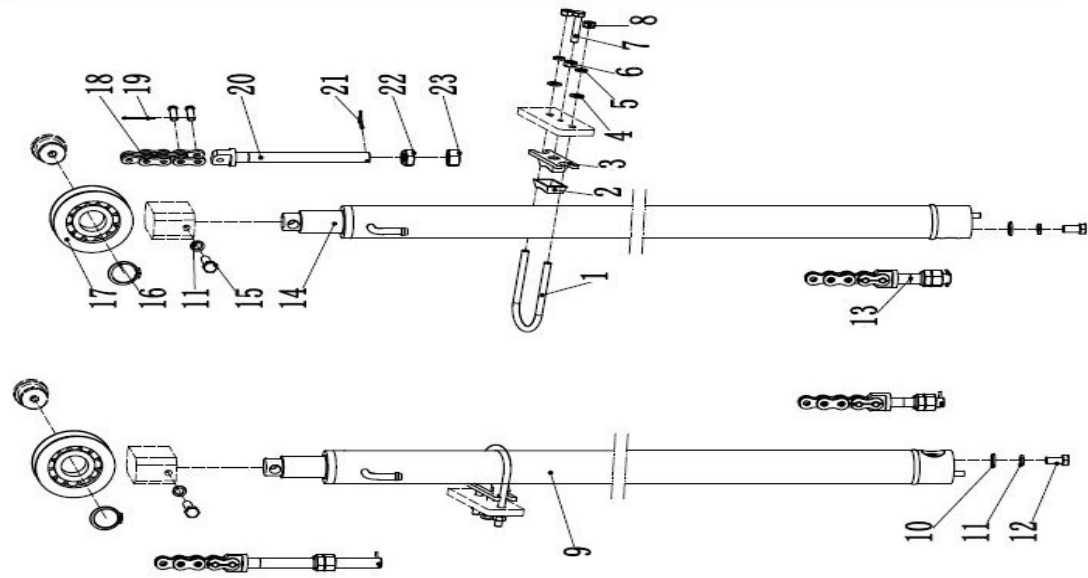
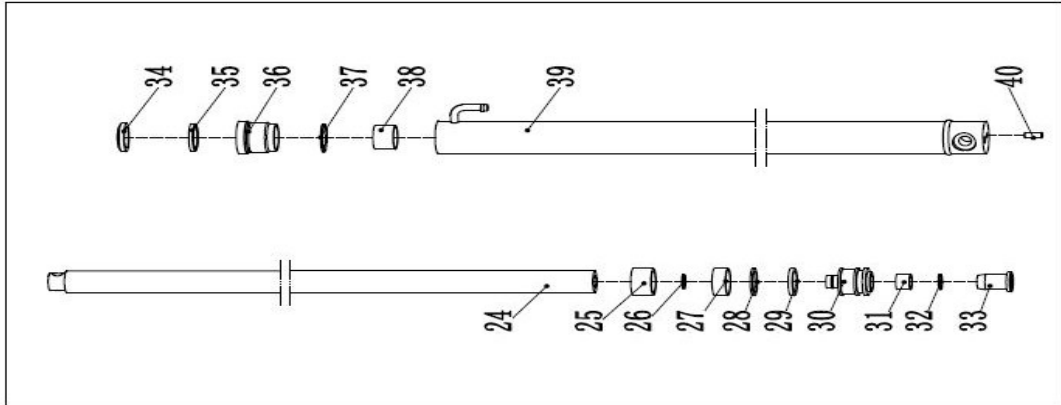


Figure 41

Figure 41 Lifting cylinder(three stage full free)

NO.	SN	Name	QTY	Remarks
18	▲	LH1223 chain	2	Belong to A
19	▲	Split pin 2x32	2	Belong to A
20	▲	Bolt M16x1.5-90	2	Belong to A
21	▲	Split pin 3.2x30	2	Belong to A
22	▲	Nut M16x1.5	2	Belong to A
23	▲	Nut M16x1.5	2	Belong to A
24	▲	Piston rod	1	
25	▲	Adjusting bushing 35.5x44xL1	1	
26	▲	Cir clip	1	
27	▲	Bearing D45X8(t=2.5)	1	
28	▲	Catch 35x45x6	1	
29	▲	Seal ring 45x35x6	1	
30	▲	Piston	1	
31	▲	Copper bushing	1	
32	▲	Cir clip		
33	▲	Buffer ring	1	
34	▲	Dust ring 35x47x7	1	
35	▲	Seal ring 35x45x6	1	
36	▲	Guide bushing	1	
37	▲	O seal ring 44.7X2.4	1	
38	▲	Bearing 3530	1	
39	▲	Cylinder	1	
40	▲	Dowel pin D10x26	1	
A	254198510003	Seal kits(three stage full free lifting cylinder)	2	Inc 27.29.34.35.37
B	216544510074	Lifting chainLH1223-89	2	H=4000
	251043510082	Lifting chainLH1223-101	2	H=4350
	251044010072	Lifting chainLH1223-107	2	H=4500
	251044510092	Lifting chainLH1223-117	2	H=4800
	254144510008	Lifting chainLH1223-129	2	H=5000
	254144510009	Lifting chainLH1223-143	2	H=5500
	254144510010	Lifting chainLH1223-165	2	H=6000

Tilted cylinder

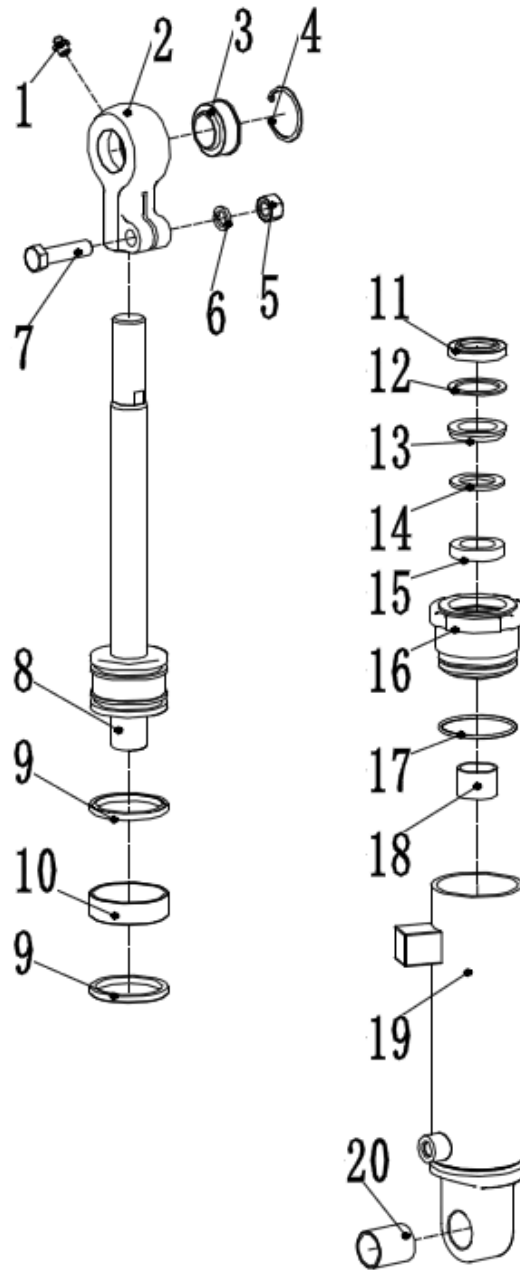


Figure 42

Figure 42

Tilted cylinder

NO.	SN	Name	QTY	Remarks
A	281220511001	cylinder (TL) Φ 63x Φ 30x86(5/7)	2	Inc 1-20
	281220511002	cylinder (TL) Φ 70x Φ 32x57(3/5)	2	Inc 1-20
1	▲	Grease mouth Z1/8	1	
2	▲	Earring	1	
3	▲	Bearing GE 30	1	
4	▲	Cir clip 47	1	
5	▲	NutM14	1	
6	▲	Washer 14	1	
7	▲	Bolt M14x55	1	
8	▲	Piston	1	3/5
	▲	Piston	1	5/7
9	▲	seal ring 60x70x6	1	3/5
	▲	seal ring 53x63x6	1	5/7
10	▲	Support ring D65x70x20	1	3/5
	▲	Support ring D58x63x20	1	5/7
11	▲	Dust ring 32x52x8	1	3/5
	▲	Dust ring 30x47x7x10	1	5/7
12	▲	Cir clip 52	1	3/5
	▲	Cir clip 47	1	5/7
13	▲	Cir clip	1	
14	▲	Catch 32x48x3	1	
15	▲	U seal ring48x30x10	1	
16	▲	Guide sleeve	1	3/5
	▲	Guide sleeve	1	5/7
17	▲	O seal ring 70x3.1	1	
18	▲	Bearing 32x36x25	1	3/5
	▲	Bearing 30x34x25	1	5/7
19	▲	Cylinder barrel assembly	1	3/5
	▲	Cylinder barrel assembly	1	5/7

Tilted cylinder

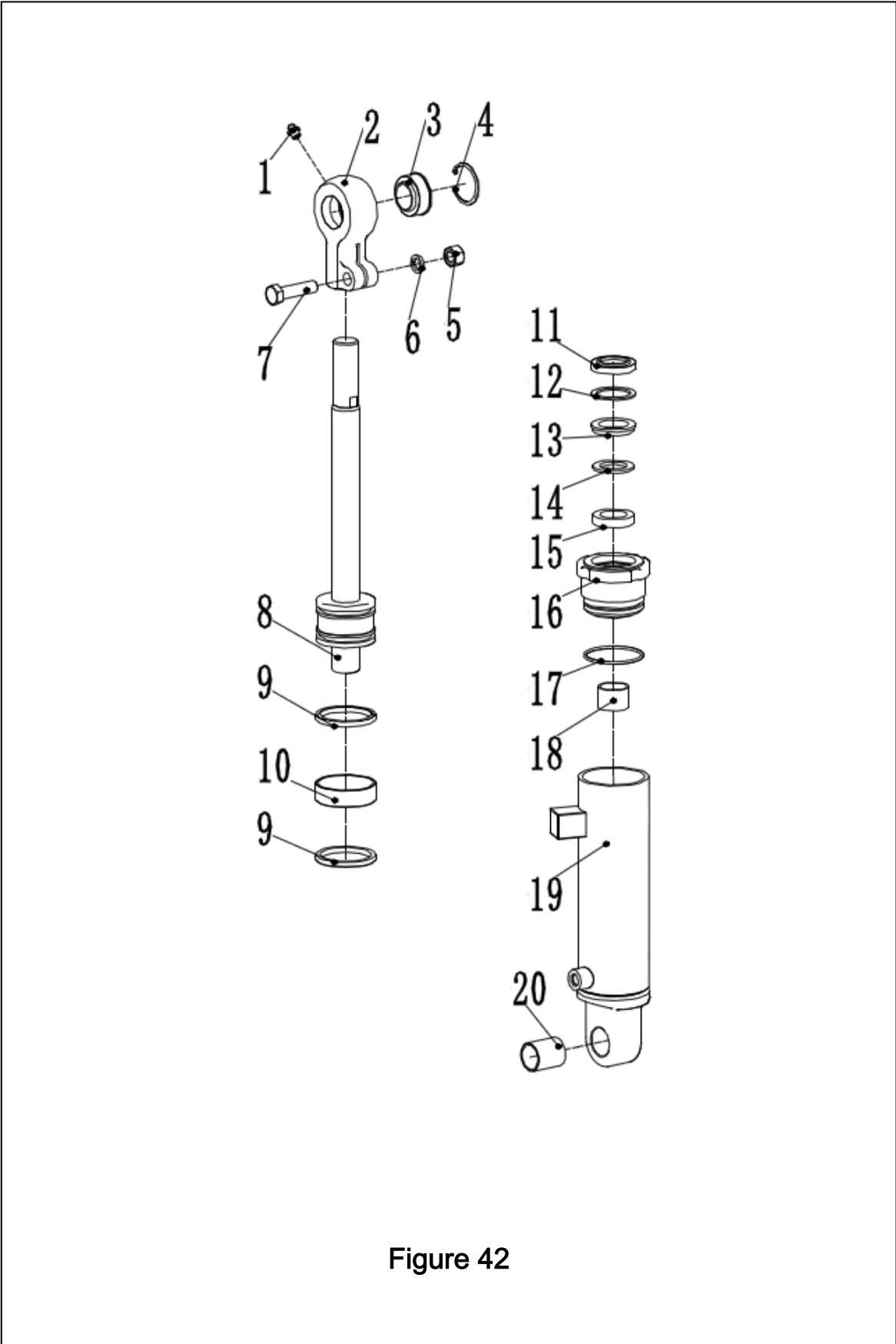


Figure 42

Figure 42**Tilted cylinder**

NO.	SN	Name	QTY	Remarks
20	▲	Bearing 30x34x38	1	
B	254198510006	Seal kits (tilted cylinder)	1	Inc 9-11.15.17
	255098510006	Seal kits (tilted cylinder)	14	Inc 9-11.15.17

Note: ▲ Spare parts will not be provided separately

Electric system

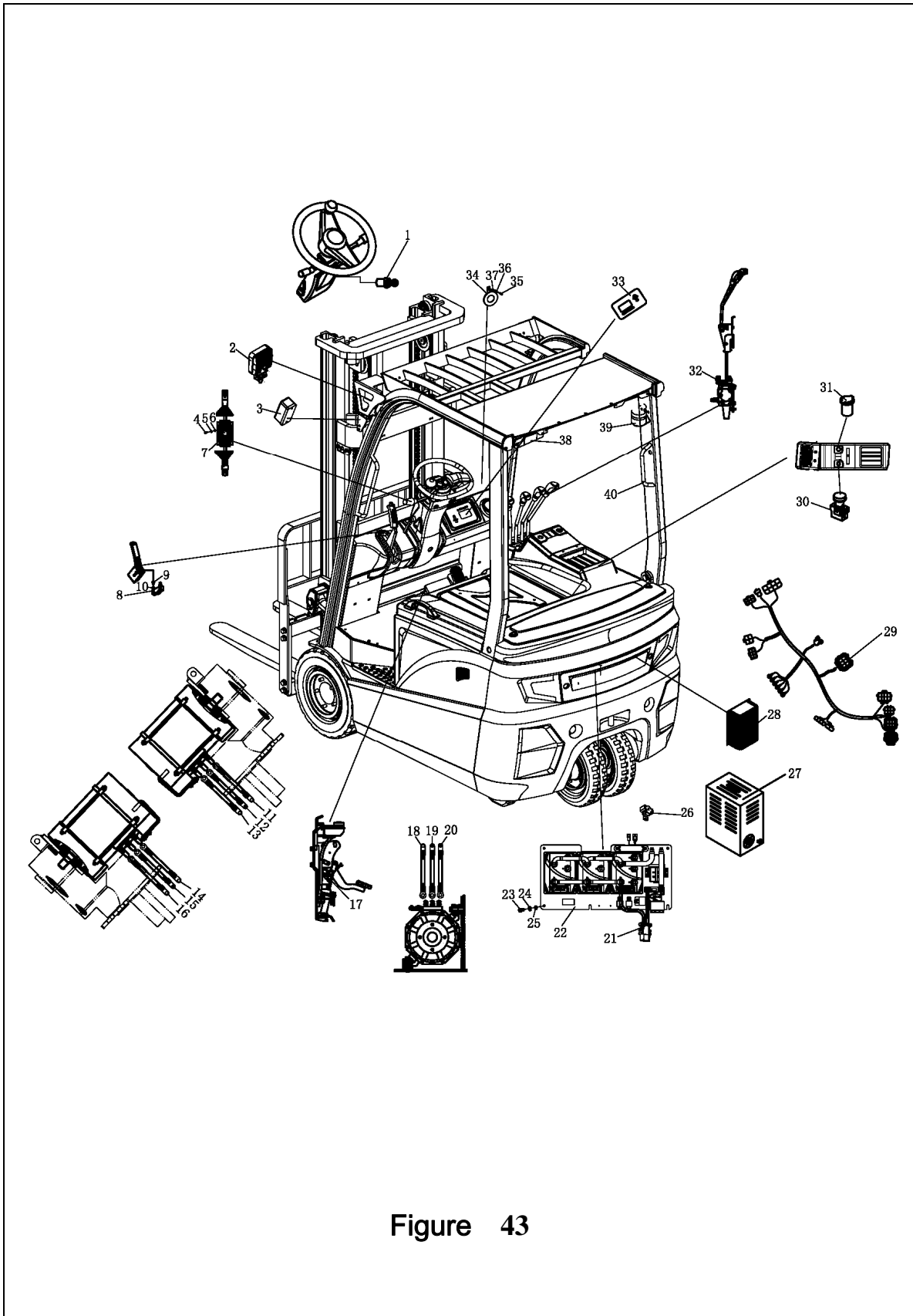


Figure 43

Figure 43 Electric system

NO.	SN	Name	QTY	Remarks
1	920200200002	Key switch KEYA	1	
2	922000100001	Light PDL-LXZM-1	2	
3	922000100002	Light PDL-LXXD-1	2	
4	910400500004	Spring Washer GB93-5	8	
5	910400100004	Washer GB97.1-5-200HV	8	
6	910200500038	Screw GB818-M5x12-4.8	4	
7	920200800013	Combination switch JK361B-1003	1	
8	920200300004	Micro switch RZ-15GQ22-B3	1	
9	910200200017	Screw GB70.1-M4x25-8.8	2	
10	910400100003	Washer GB97.1-4-200HV	2	
11	284033010002	Cable -U1-35-6-8-2400	1	
12	284033010003	Cable -V1-35-6-8-2400	1	
13	284033010004	Cable -W1-35-6-8-2400	1	
14	284033010005	Cable -U2-35-6-8-2600	1	
15	284033010006	Cable -V2-35-6-8-2600	1	
16	284033010007	Cable -W2-35-6-8-2600	1	
17	920201000002	Foot pedal JK231	1	
18	284033010014	Cable -U3-35-6-8-2250	1	
19	284033010015	Cable -V3-35-6-8-2250	1	
20	284033010016	Cable -W3-35-6-8-2250	1	
21	281233010002	Cable	1	
22	281233010003	Controller (1232SEx2+1232E)	1	
23	910200200058	Screw GB70.1-M8x25-8.8	4	
24	910400100005	Washer GB97.1-6-200HV	4	
25	910400500005	Spring Washer GB93-6	4	
26	921800200007	Potentiometer Vert-X	1	
27	921000200079	Charger SN48V80A	1	
	921000200080	Charger SN48V80A	1	
	921000200081	Charger SN48V80A	1	
	921000200082	Charger SN48V80A	1	

Electric system

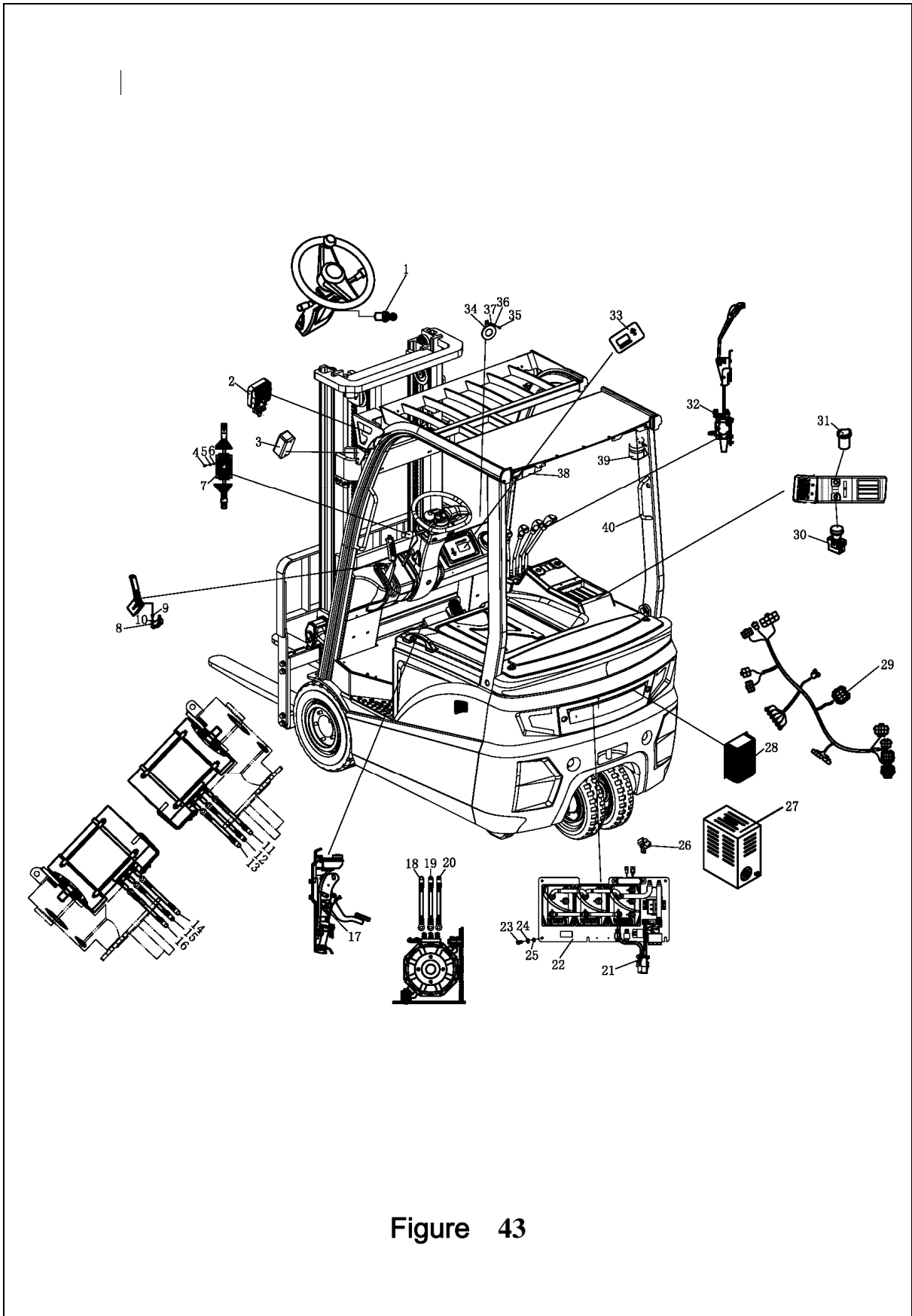


Figure 43

Figure 43**Electric system**

NO.	SN	Name	QTY	Remarks
27	921000200083	Charger SN48V80A	1	
	921000200084	Charger SN48V80A	1	
	921000200157	Charger SN48V65A	1	
	921000200158	Charger SN48V65A	1	
	921000200159	Charger SN48V65A	1	
	921000200160	Charger SN48V65A	1	
	921000200161	Charger SN48V65A	1	
	921000200162	Charger SN48V65A	1	
28	921900100001	Transducer DC48V 24V	1	
29	281233010001	Truck body harness (1232Ex2+1232E)	1	
30	920200100002	Emergency switch CE4T-10R-01	1	
31	921900100004	Transducer DC24V 5V	1	
32	920200300004	Micro switch RZ-15GQ22-B3	1	
33	921100100011	Indicator 3501-12-80V	1	
34	920500100001	Horn 125-DC24V	1	
35	910400100005	Washer GB97.1-6-200HV	1	
36	910400500005	Spring Washer GB93-6	1	
37	910200500051	Screw GB818-M6x12-4.8	1	
38	922000100003	Light PDL-LXHW-2	2	
39	922000100004	Light PDL-LXJD-01Y	1	
40	255033510001	Rear lever switch	1	

Electronic control element (CURTIS)

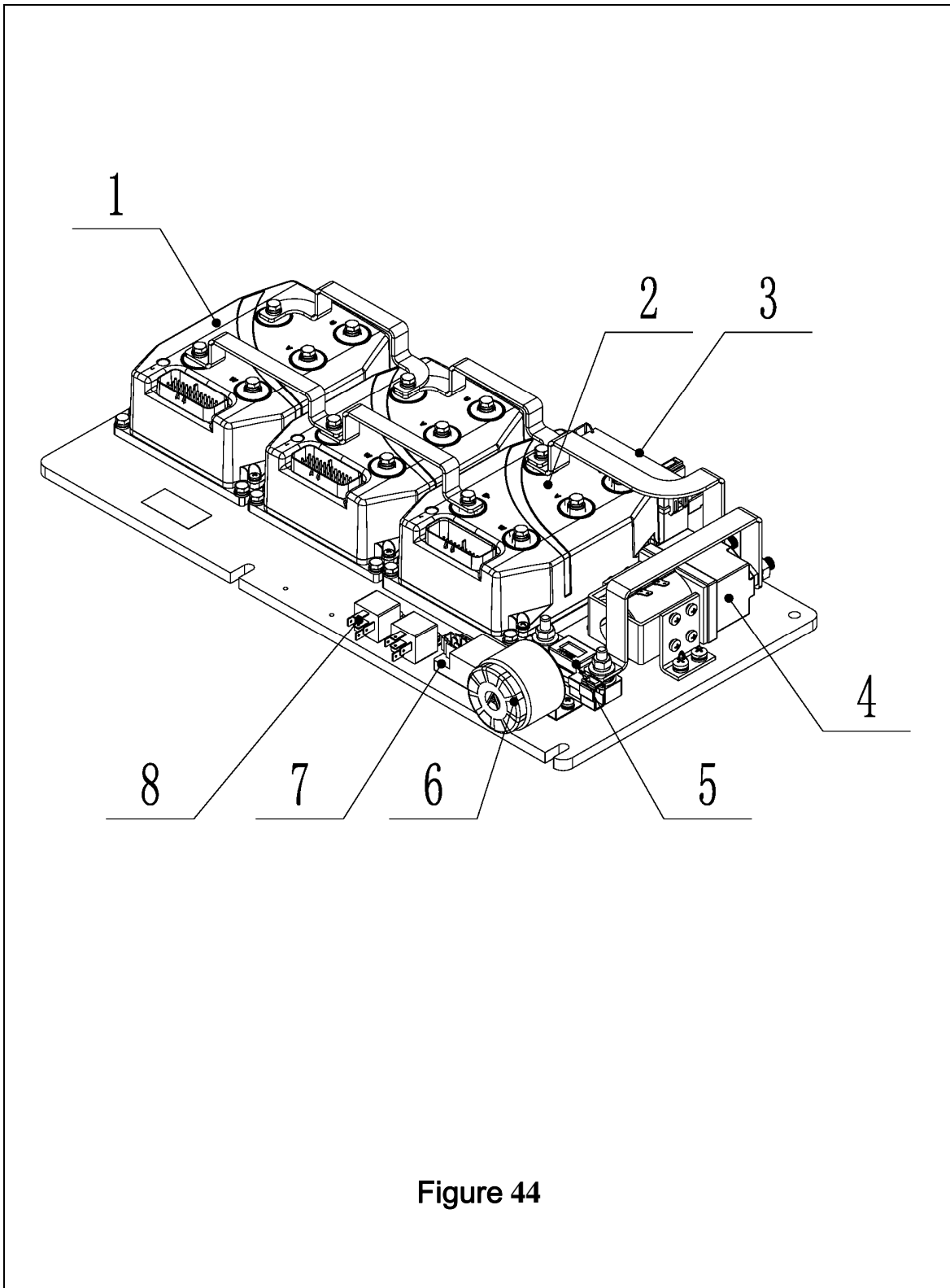


Figure 44 Electronic control element (CURTIS)

NO.	SN	Name	QTY	Remarks
1	921400100055	Controller 1232E-5221	2	
2	921400100043	Controller 1232SE-5321	1	
3	920100400008	Fuse box BX2081X	1	
4	920700100005	Contactora DC48C-SW200-262	1	
5	920100100014	Fuse 500A	1	
6	920500100002	Buzzer DJB-24B	1	
7	922000100005	Light SG252-24V	1	
8	920800100002	Relay DC24V-HFV4	1	

Power connector assembly

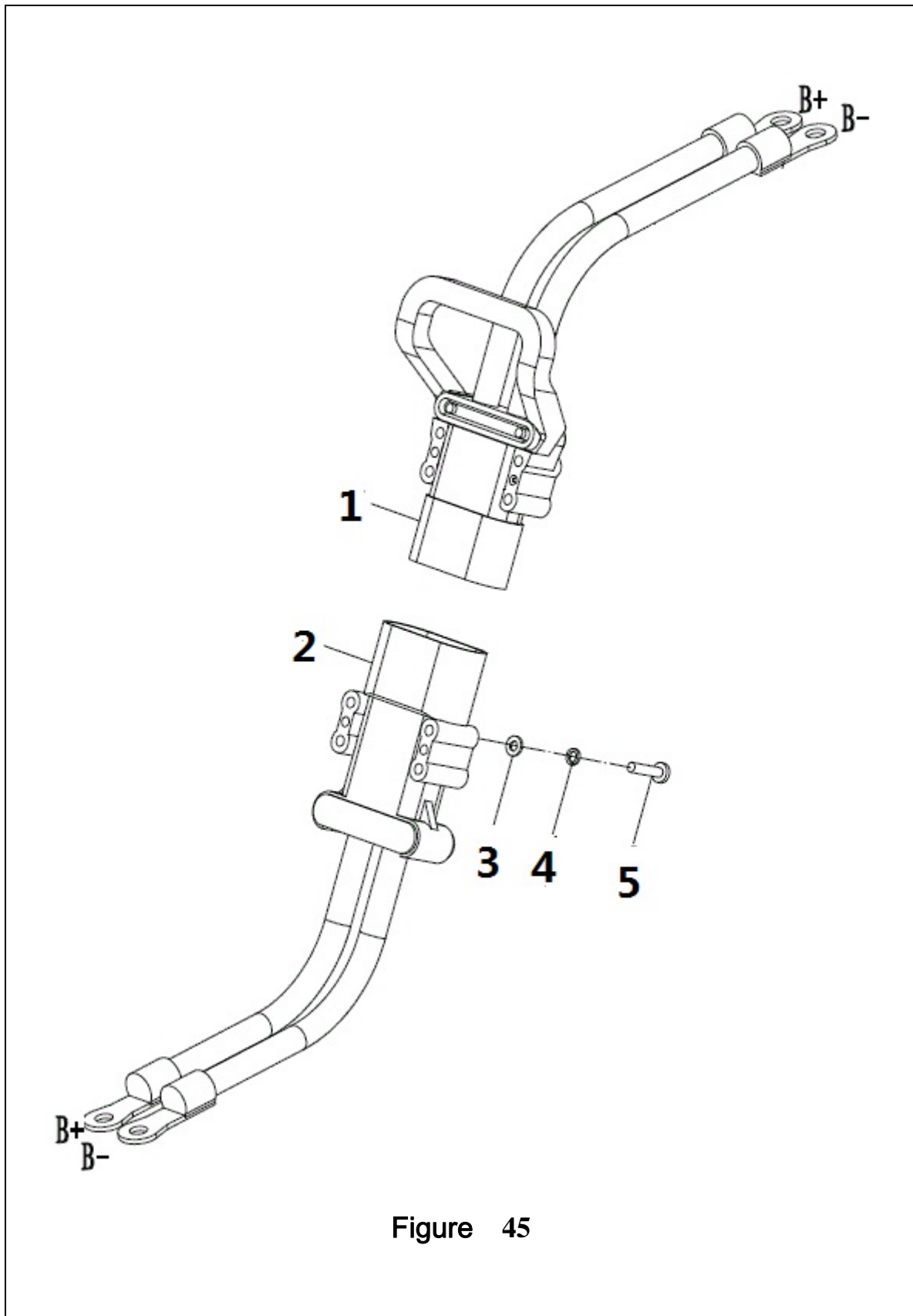
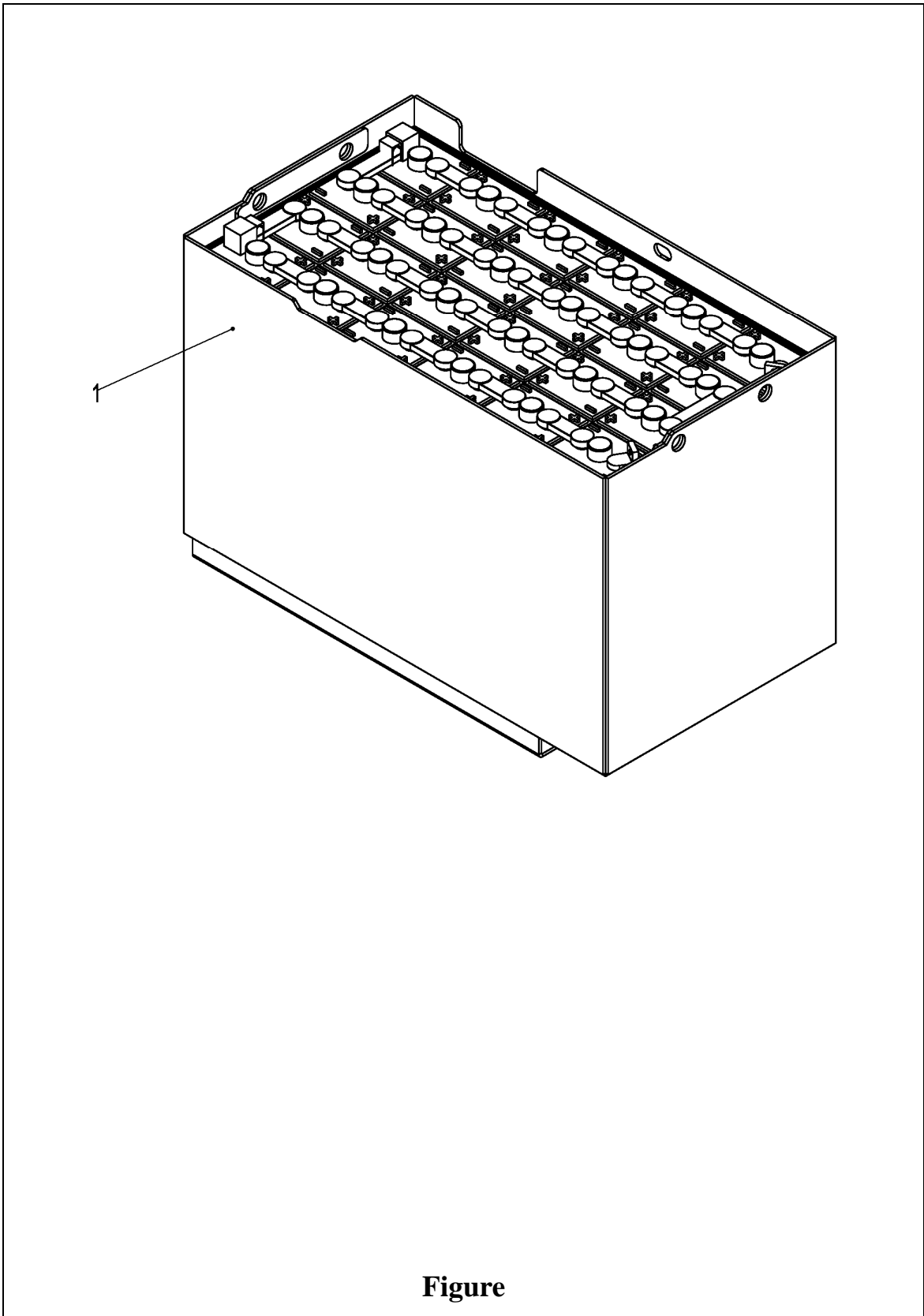


Figure 45

Figure 45 **Power connector assembly**

NO.	SN	Name	QTY	Remarks
1	281298510001	Battery connecting cable	1	
2	281233010002	Battery cable	1	
3	910400100005	Washer GB97.1-6-200HV	4	
4	910400500005	Washer GB93-6	4	
5	910200200046	Screw GB70.1-M6x60-8.8	4	

Battery



Figure

Figure**Battery**

NO.	SN	Name	QTY	Remarks
1	281237010002	Battery 48V-7DB490(weld, kuaile)	1	FE3D16/18
	281237010004	Battery 48V-7DB490(weld, huoju)	1	FE3D16/18
	281237010006	Battery 48V-7VBS490(bolt, kuaile)	1	FE3D16/18
	281237010008	Battery 48V-7DB490(bolt, huoju)	1	FE3D16/18
	281237010003	Battery 48V-7VBS560(weld, kuaile)	1	FE3D16/18
	281237010005	Battery 48V-7DB560(weld, huoju)	1	FE3D16/18
	281237010007	Battery 48V-7VBS560(bolt, kuaile)	1	FE3D16/18
	281237010009	Battery 48V-7DB560(bolt, huoju)	1	FE3D16/18
	281237010010	Battery 48V-7VBS455(weld, kuaile)	1	FE3D16/18
	281237010011	Battery 48V-7VBS455(bolt, kuaile)	1	FE3D16/18
	281237010012	Battery 48V-7VBS455(weld, huoju)	1	FE3D16/18
	281237010013	Battery 48V-7VBS455(bolt, huoju)	1	FE3D16/18
	1	281337010003	Battery 48V-7VBS560(weld, kuaile)	1
281337010005		Battery 48V-7DB560(weld, huoju)	1	FE3D20
281337010007		Battery 48V-7VBS560(weld, kuaile)	1	FE3D20
281337010009		Battery 48V-7DB560(bolt, huoju)	1	FE3D20
281337010003		Battery 48V-7VBS630(weld, kuaile)	1	FE3D20
281337010005		Battery 48V-7DB630(weld, huoju)	1	FE3D20
281337010007		Battery 48V-7VBS630(bolt, kuaile)	1	FE3D20
281337010009		Battery 48V-7DB630(bolt, huoju)	1	FE3D20

Labels

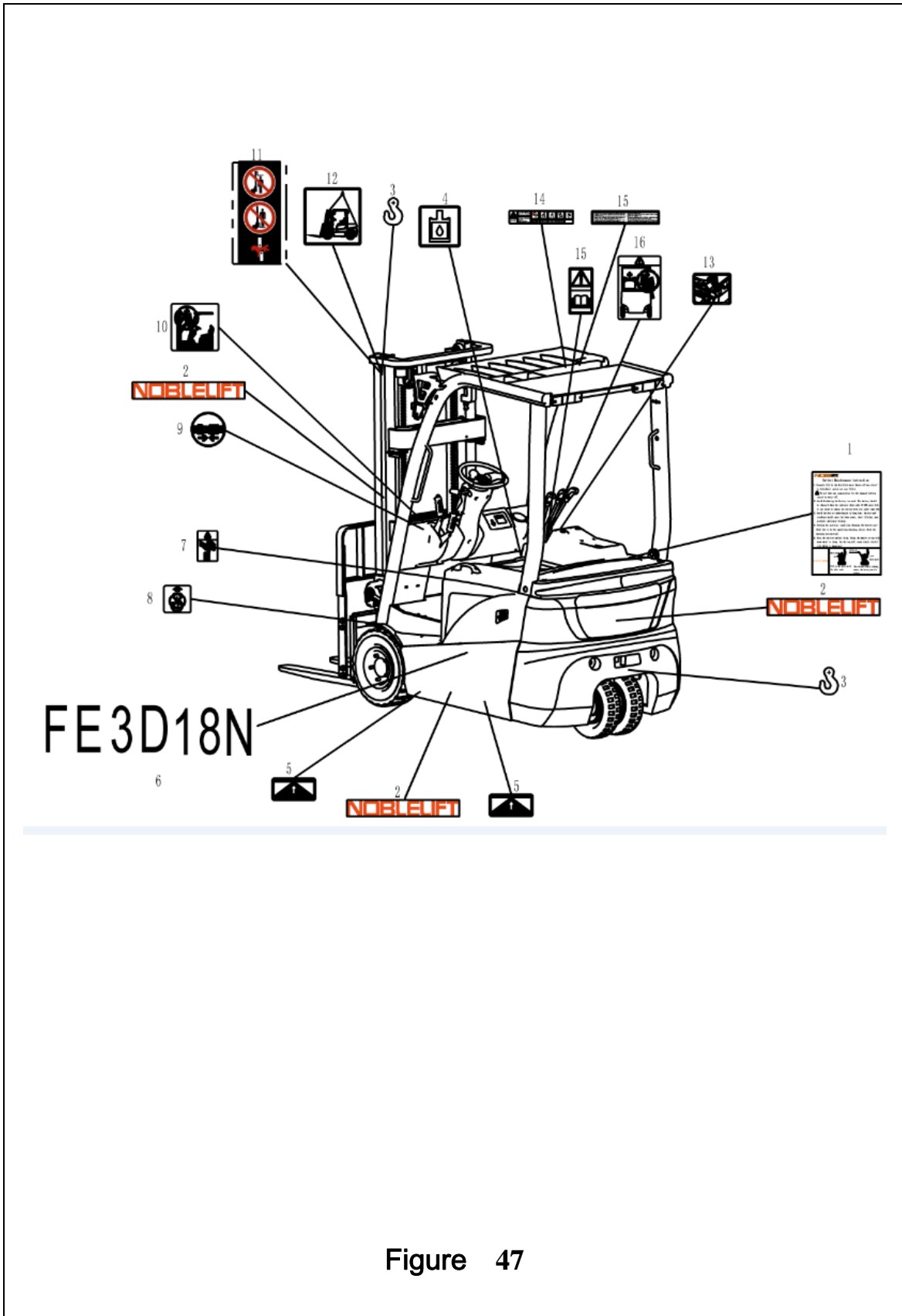


Figure 47

Figure 47**Labels**

NO.	SN	Name	QTY	Remarks
A	281247001002	English labeling assembly	1	Inc 1-16
	281147001002	English labeling assembly	1	FE3D16N
	281347001002	English labeling assembly	1	FE3D20N
1	251047020019	Battery maintenance	1	
2	255047020022	NOBLELIFT(495x70)	5	
3	255047020011	Crane hook label	3	
4	255047020004	Hydraulic oil sticker	1	
5	255047020023	Fork mark	2	
6	281247020001	Product model sticker	2	
7	255047020014	Squeeze hand stick	2	
8	255047020008	No crane label	2	
9	255047020012	Safety belt sticker	1	
10	255047020009	No climbing	1	
11	532647020000	Safety label	2	
12	255047020019	Vehicle hoisting	2	
13	255047020006	Battery cover open sticker	1	
14	255047020020	Rollover safety marking1	1	
15	255047020010	Warning label	1	
16	255047020013	No seat entry	1	
17	255047020021	Rollover safety marking2	1	

Data nameplate

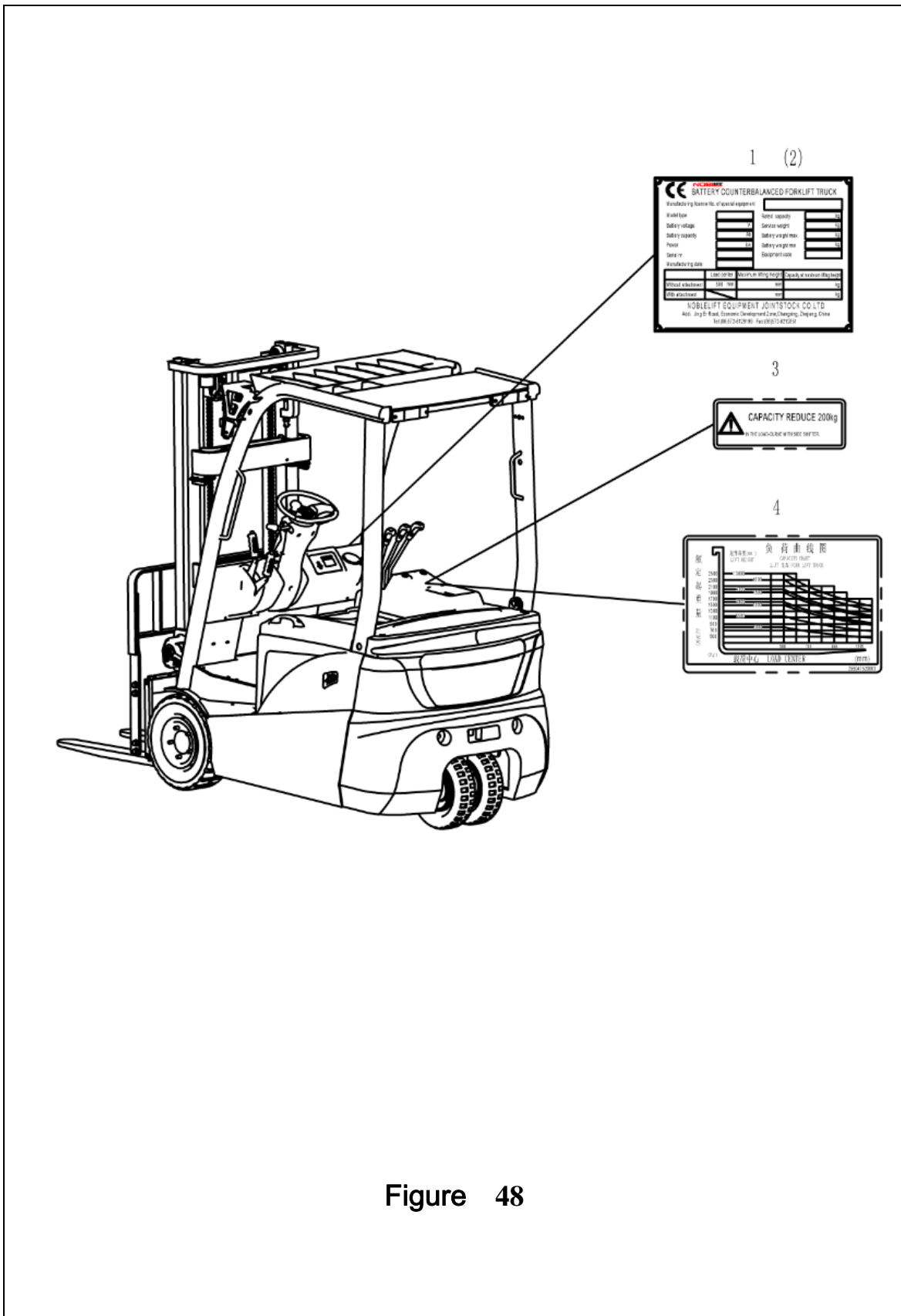


Figure 48

Figure 48**Data nameplate**

NO.	SN	Name	QTY	Remarks
1	281247520002	Nameplate	1	
2	910500600002	Rivet GB827-3x10	4	
3	255047520005	Lose weight sticker with sideway	1	
4	281247520003	Load capacity diagram	1	

NOBLELIFT

NOBLELIFT INTELLIGENT EQUIPMENT CO.,LTD.

Service hotline: 4008-836115

Wechat: nuolijixie

Postcode: 313100 Email address: info@noblelift.com

Website: www.noblelift.com

Version: Sep,2018

