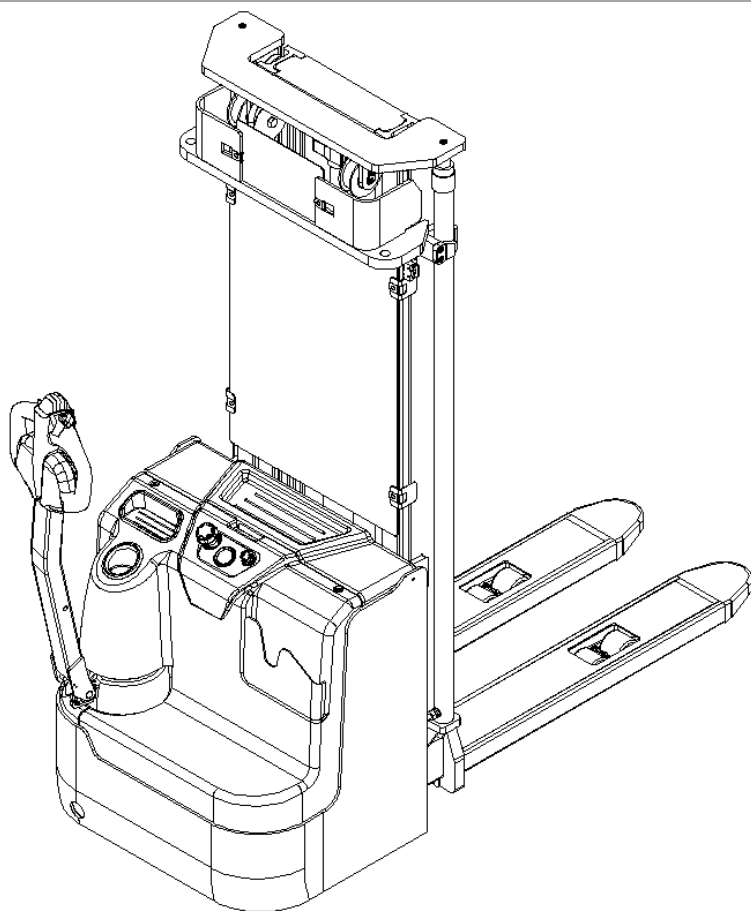


SPAREPARTS LIST

Electric Stacker PS 12L



Version 12/2018

From truck identification number:

PS 12L-BPT-004-EN

Catalogue

Fig.1 Label (For EU).....	1
Fig.2 Label (For US).....	2
Fig.3 Outline	3
Fig.4 Pallet.....	4
Fig.5 Truck assembly	5
Fig.6 Power supply	7
Fig.7 Instrument assembly	8
Fig.8 Battery cover assembly	10
Fig.9 Steering wheel assembly.....	11
Fig.10 Three-stage mast system (full free lift).....	12
Fig.11 Two-stage mast system (full free lift)	13
Fig.12 Two-stage mast system (standard lift).....	14
Fig.13 Three-stage mast chain system (full free lift)	15
Fig.14 Two-stage mast chain system (full free lift)	17
Fig.15 Two-stage mast chain system (standard lift)	19
Fig.16 Mast and other parts	20
Fig.17 Three-stage mast hydraulic system (full free lift).....	21
Fig.18 Two-stage mast hydraulic system (full free lift)	23
Fig.19 Two-stage mast hydraulic system (standard lift).....	25
Fig.20 Three-stage mast outer cylinder assembly (full free lift).....	27
Fig.21 Three-stage mast middle cylinder assembly (full free lift)	29
Fig.22 Two-stage mast outer cylinder assembly (full free lift).....	31
Fig.23 Two-stage mast middle cylinder assembly (full free lift)	33
Fig.24 Two-stage mast outer cylinder assembly (standard lift)	35
Fig.25 Drive system assembly.....	37
Fig.26 1.3kw Drive wheel	38
Fig.27 Load wheel assembly	40
Fig.28 Handle assembly	41
Fig.29 Handle components	42
Fig.30 Hydraulic power unit (24V3.2KW4.0cc)	44
Fig.31 Hydraulic power unit (24V1.5KW2.0cc)	45
Fig.32 Main circuit harness	46
Fig.33 Electrical general part	47
Fig.34 Controller assembly	48
Fig.35 Load backrest.....	50
Easy worn parts list	51

Fig.1 Label (For EU)

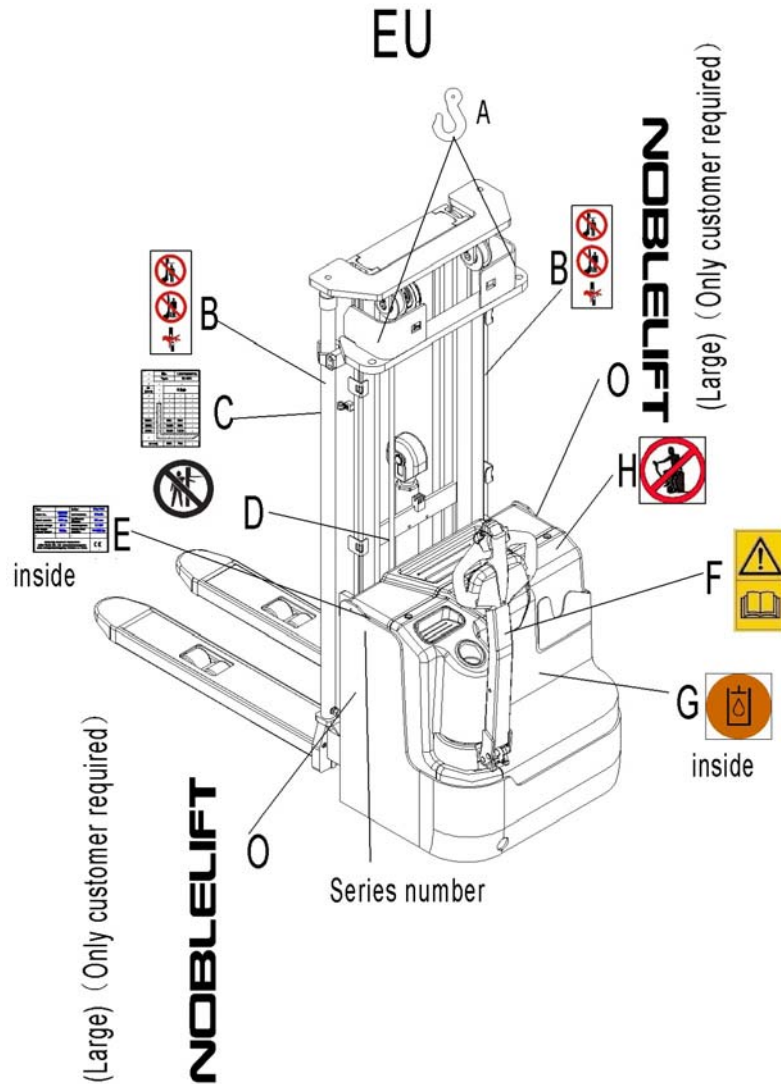


Fig.1 Label (For EU)

No.	Art No.	New Art No.	Description	Qty.	Note
A	9000005967	941200300001	Crane hook label	2	
B	9000003923	941200100004	Warning decal: Do not step under or on the forks	2	
C	9000016333	534447502000	Residual lift capacity sticker	1	
D	9000008561	941200100006	Never reach through	1	
E	9000016334	534447502001	CE label	1	
F	9000003570	941200300002	Sticker to read and follow these instructions	1	
G	9000008555	941200300003	Filling sticker	1	
H	9000003573	941200100003	'No passengers' decal	1	
O	9000008556	941200500001	Emblem mark	2	

Fig.3 Outline

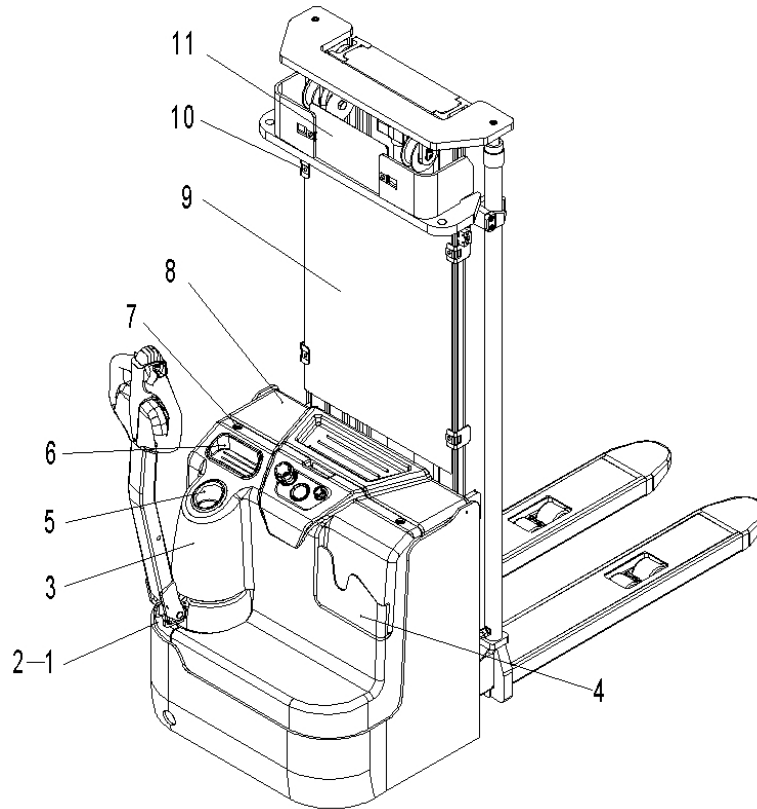


Fig.3 Outline

No.	Art No.	New Art No.	Description	Qty.	Note
1	9000015364	534721520019	Cover	1	
2	0000023093	910200800011	Lock screw	2	M6x10
3	9000015363	534721520018	Electrical box cover	1	
4	9000010660	534721520022	File box	1	
5	9000015365	534721520020	Cup base	1	
6	9000015366	534721520021	Storage box	1	
7	9000007790	941100100002	Screw	2	M10x55
8	9000015727	534421010001	Battery cover	1	
9	9000015192	534744020006	Protective plate	1	3600
	9000015332	534744520038	Protective plate	1	3200
	9000015195	534744020011	Protective plate	1	2900
10	9000007782	940400300001	Spring buckle	6 or 8	
11	9000015331	534744520037	Upper protective plate	1	

Fig.4 Pallet

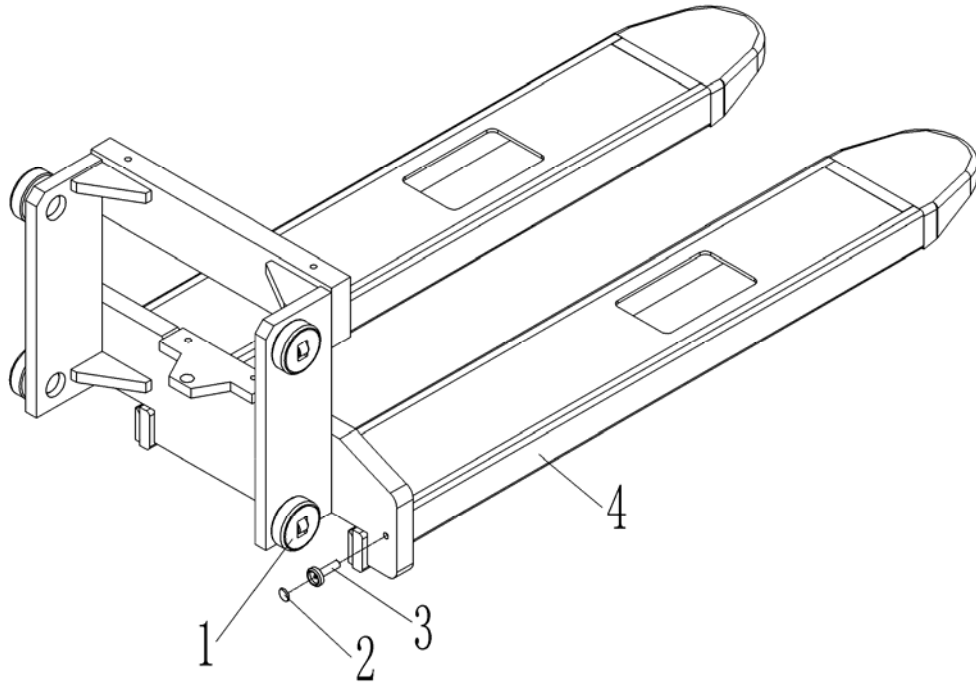


Fig.4 Pallet

No.	Art No.	New Art No.	Description	Qty.	Note
1	2210511001	940200300002	Roller	4	
2	2000435002	940600100001	Magnet steel	1	
3	2260502001	940600200001	Magnet steel base	1	
4	9000015720	534438010000	Pallet (570x1150)	1	Two-stage mast (standard)
	9000015734	534438010001	Pallet (685x1150)	1	Two-stage mast (standard)
	9000015766	534438010002	Pallet (570x1150)	1	Two-stage mast (full free lift)
	9000015774	534438010003	Pallet (685x1150)	1	Two-stage mast (full free lift)
		534438010004	Pallet (570x1150)	1	Three-stage mast (full free lift)
		534438010005	Pallet (685x1150)	1	Three-stage mast (full free lift)

Fig.5 Truck assembly

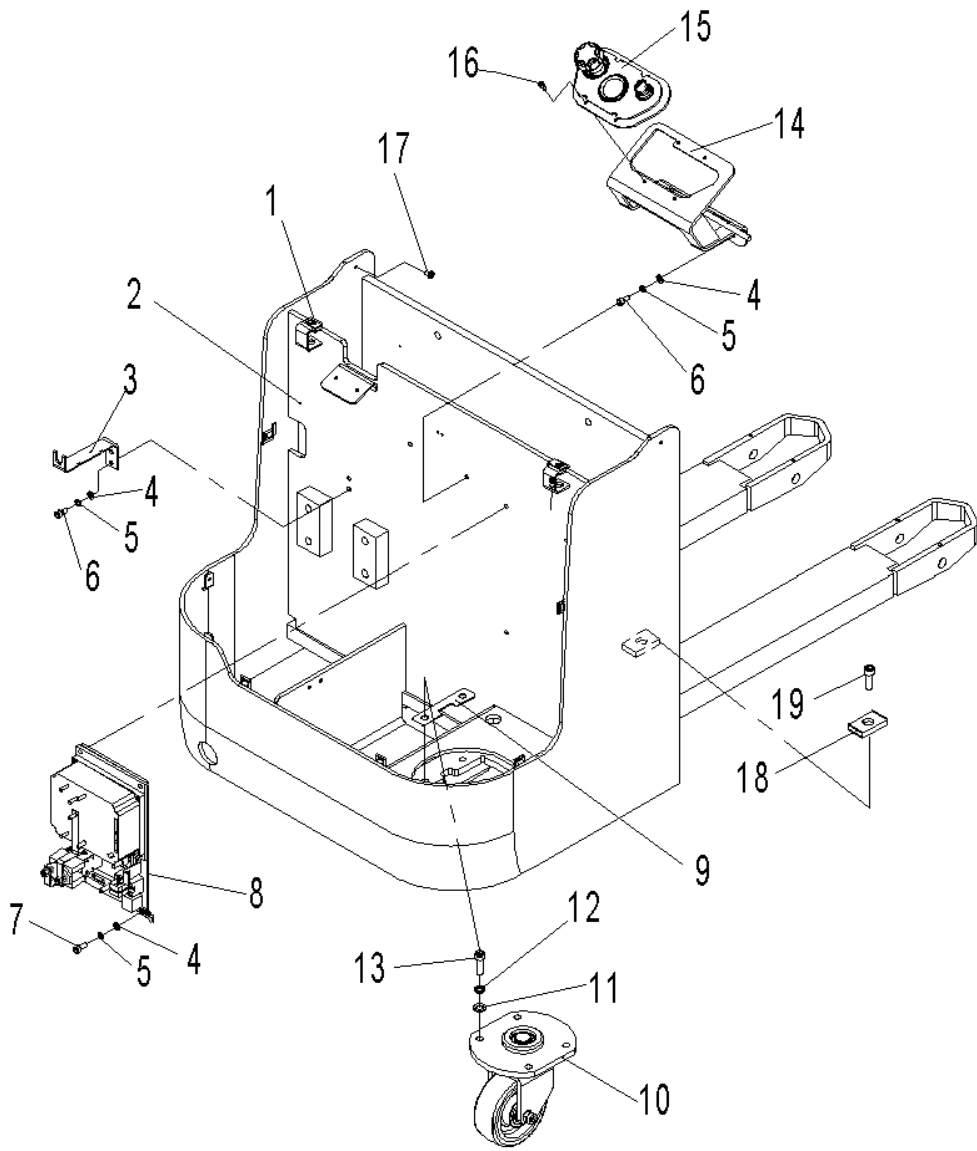


Fig.5 Truck Assembly

No.	Art No.	New Art No.	Description	Qty.	Note
1	9000007783	940400400003	Nut	2	M10
2	9000015726	534421510000	Truck body	1	570x1150
	9000015744	534421510001	Truck body	1	685x1150
3	9000015356	534721520025	Cable holder	1	
4	0000025011	910400100006	Washer	8	8
5	0000025001	910400500006	Washer	8	8
6	0000023067	910200200055	Screw	4	M8x16
7	0000023061	910200200058	Screw	4	M8x25
8	9000015362	534721520027	Controller fixing plate	1	
9	9000015361	534721520026	Steering wheel pad	6	
10	9000015432	534716510002	Steering wheel assembly	1	
11	0000025032	910400100008	Washer	4	12
12	0000025024	910400500008	Washer	4	12
13	0000023082	910200200099	Screw	4	M12x35
14	9000015430	534710010000	Fixing plate	1	
15	9000015431	534710001001	Instrument assembly	1	
16	0000023020	910200200036	Screw	4	M6x20
17	9000015369	534721520023	Locating sleeve	2	
18	9000015373	534721520024	Cushion	2	
19	0000023045	910200300017	Screw	2	M6x12

Fig.6 Power supply

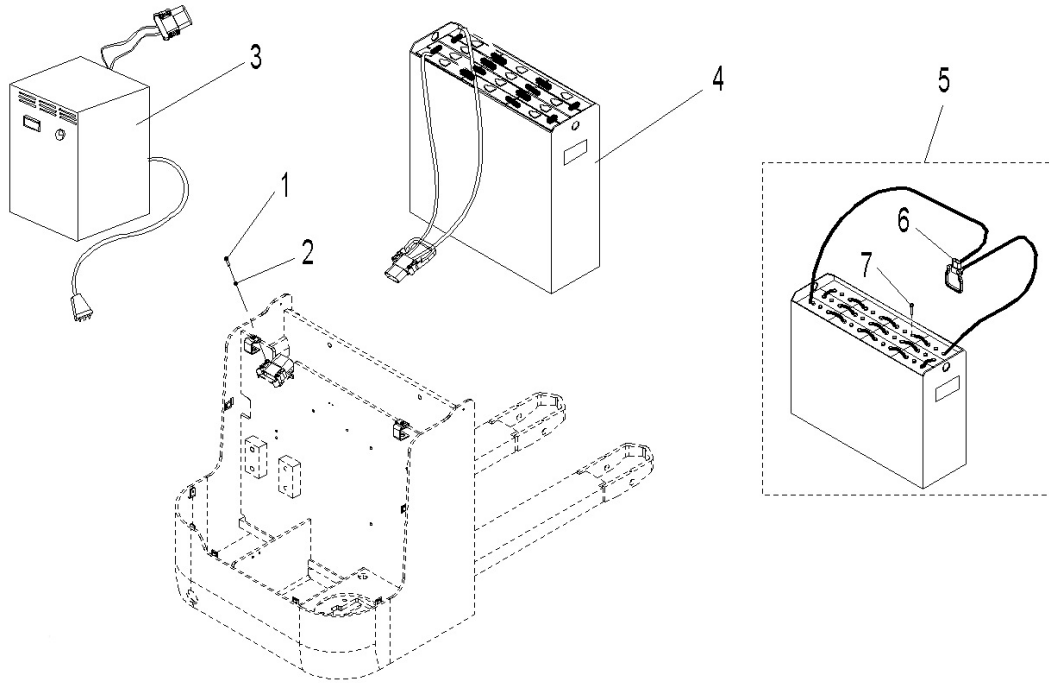


Fig.6 Power Supply

No.	Art No.	New Art No.	Description	Qty.	Note
1	000023106	910200200039	Screw	2	M6x30
2	000023055	910400100005	Washer	2	6
3	9000010002	921000200013	Charger, SN24V25A	1	Asian in Chinese
	9000010003	921000200014	Charger, SN24V25A		Asian in English
	9000010004	921000200015	Charger, SN24V25A		European
	9000010005	921000200016	Charger, SN24V25A		Australian
	9000010006	921000200017	Charger, SN24V25A		British
	9000010007	921000200018	Charger, SN24V25A		American
4	9000015731	534437010000	Power assembly, 24V180Ah	1	Welded
5	9000015745	534437010001	Power assembly, 24V180Ah	1	Bolted
6	2000434002	920400100007	Connector assembly	1	Only for bolt type battery
7	9000009832	505698520000	Screw M10x22	24	

Fig.7 Instrument assembly

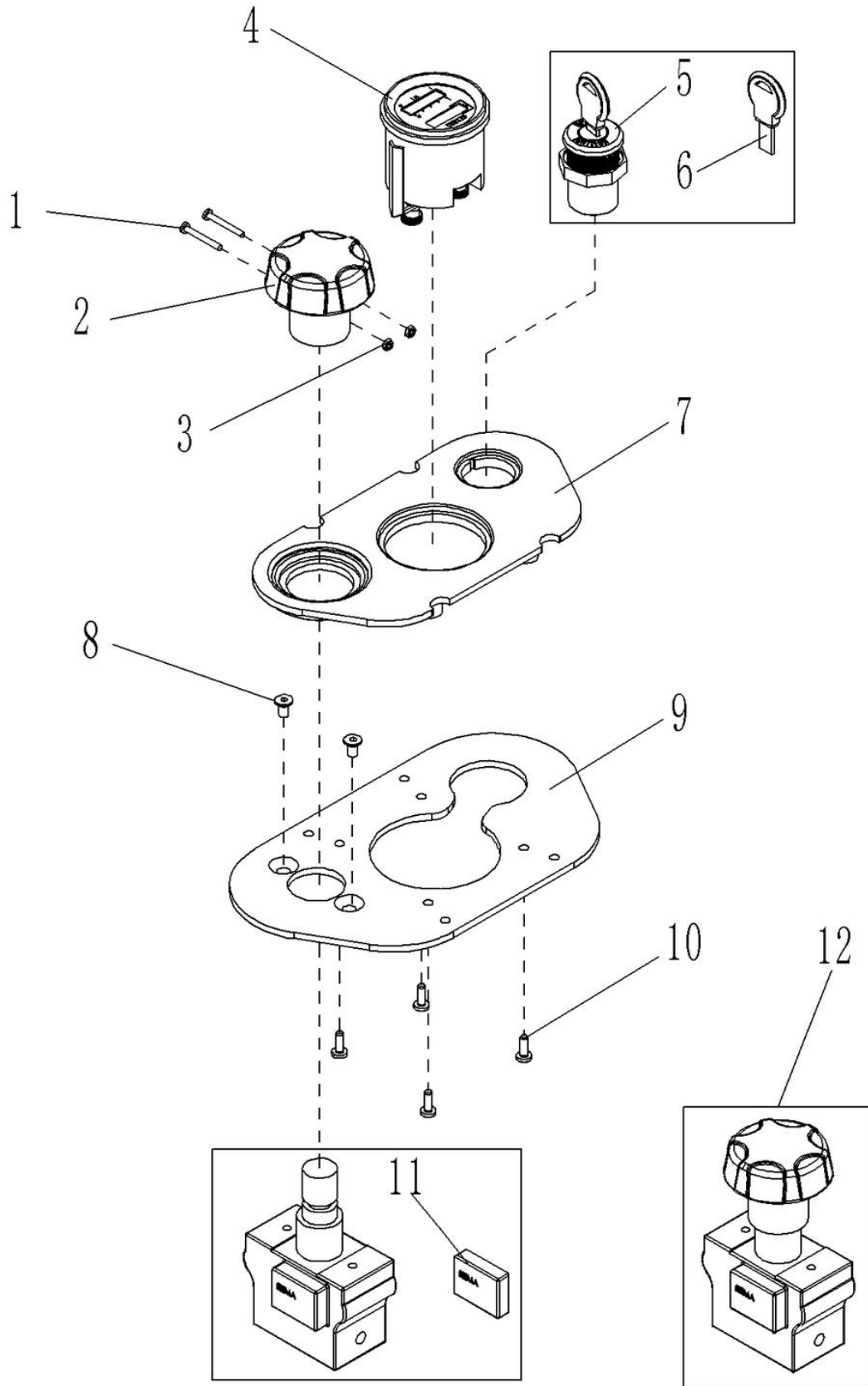


Fig.7 Instrument Assembly

No.	Art No.	New Art No.	Description	Qty.	Note
1	0000023685	910200500016	Screw	2	M3x25
2	9000008516	505698520029	DC power switch-mushroom cap	1	ZDK32-350
3	0000024002	910300100002	Nut	2	M3
4	9000000760	921100100012	Indicator	1	MDI CAN
5	9000008326	505634010000	Key switch	1	LKS-101A
6	9000008519	505698520031	Key switch-key	1	LKS-101A
7	9000015354	534710020004	Integrated leaf panel	1	
8	0000023215	910200400010	Screw	2	M5x10
9	9000015355	534710020005	Instrument fixing plate	1	
10	0090000272	910201300001	Lock screw	4	M4x12
11	9000008517	505698520030	Micro switch	1	ZDK32-350
12	9000008515	920200100001	DC power switch	1	ZDK32-350

Fig.8 Battery cover assembly

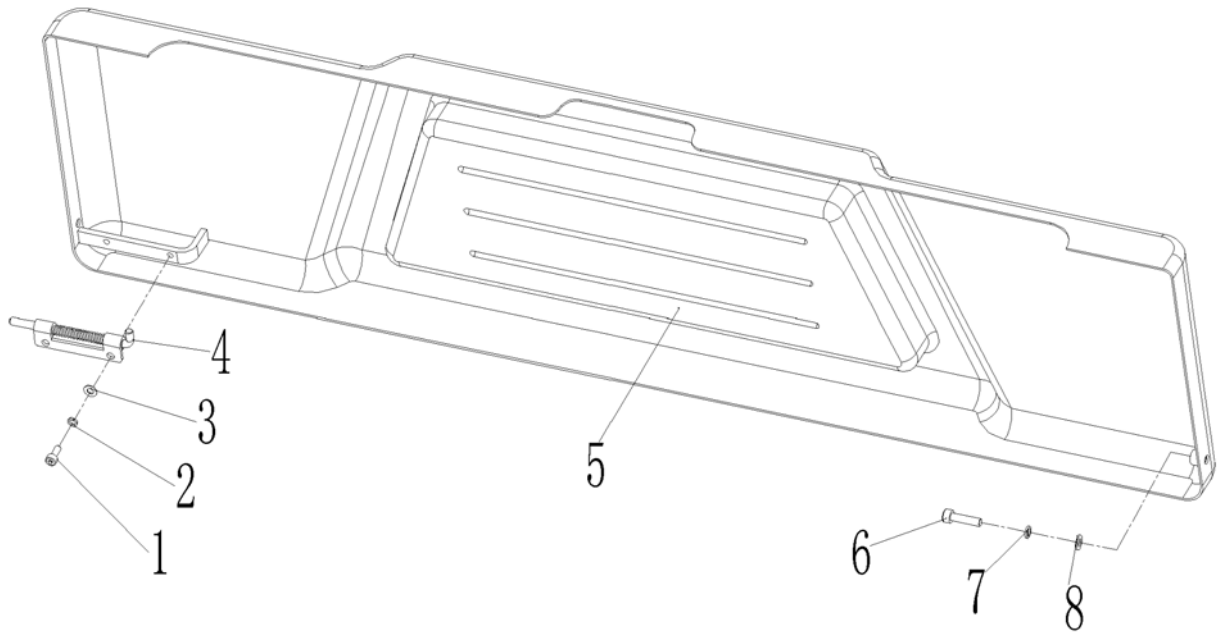


Fig.8 Battery Cover Assembly

No.	Art No.	New Art No.	Description	Qty.	Note
1	0000023073	910200200013	Screw	2	M4x10
2	0000025018	910400500003	Washer	2	4
3	0000025019	910400100003	Washer	2	4
4	9000008795	940800900001	Latch	1	
5	9000015728	534421010000	Battery cover	1	
6	0000023306	910200200024	Screw	1	M5x20
7	0000025015	910400500004	Washer	1	5
8	0000025014	910400100004	Washer	1	5

Fig.9 Steering wheel assembly

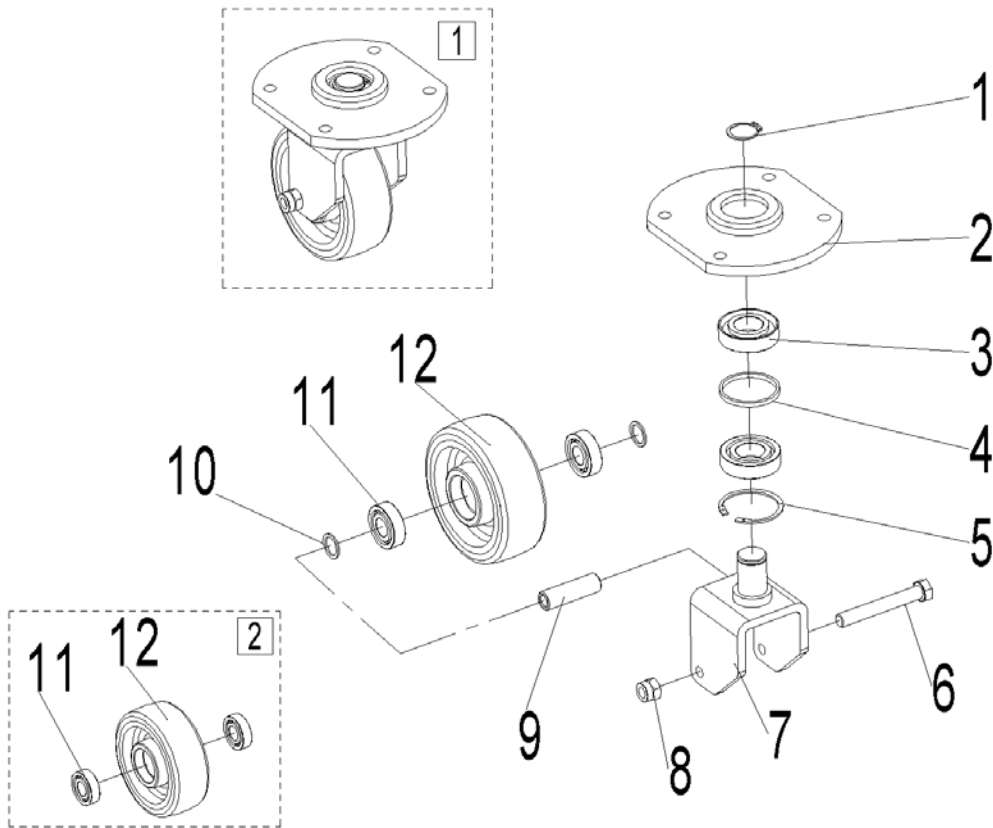


Fig.9 Steering Wheel Assembly

No.	Art No.	New Art No.	Description	Qty.	Note
1	0000026008	910401300016	Circlip	1	30
2	9000015433	534716510000	Bearing seat	1	
3	0000027013	910700400004	Bearing	2	7206C
4	9000014329	532616520001	Bushing	1	
5	0000026010	910401400018	Circlip	1	62
6	0000023111	910100100069	Bolt	1	M14x100
7	9000015434	534716510001	Rear wheel carrier	1	
8	0000024015	910300500007	Lock nut	1	M14
9	9000014331	532616520003	Bushing	1	
10	1000525001	940600500014	Washer	2	
11	0000027001	910700200019	Bearing	2	6204
12	2210416001	940300300020	Rear wheel	1	
①	9000015432	534716510002	Steering wheel assembly	1	
②	9000008896	533298510003	Wheels	1	

Fig.10 Three-stage mast system (full free lift)

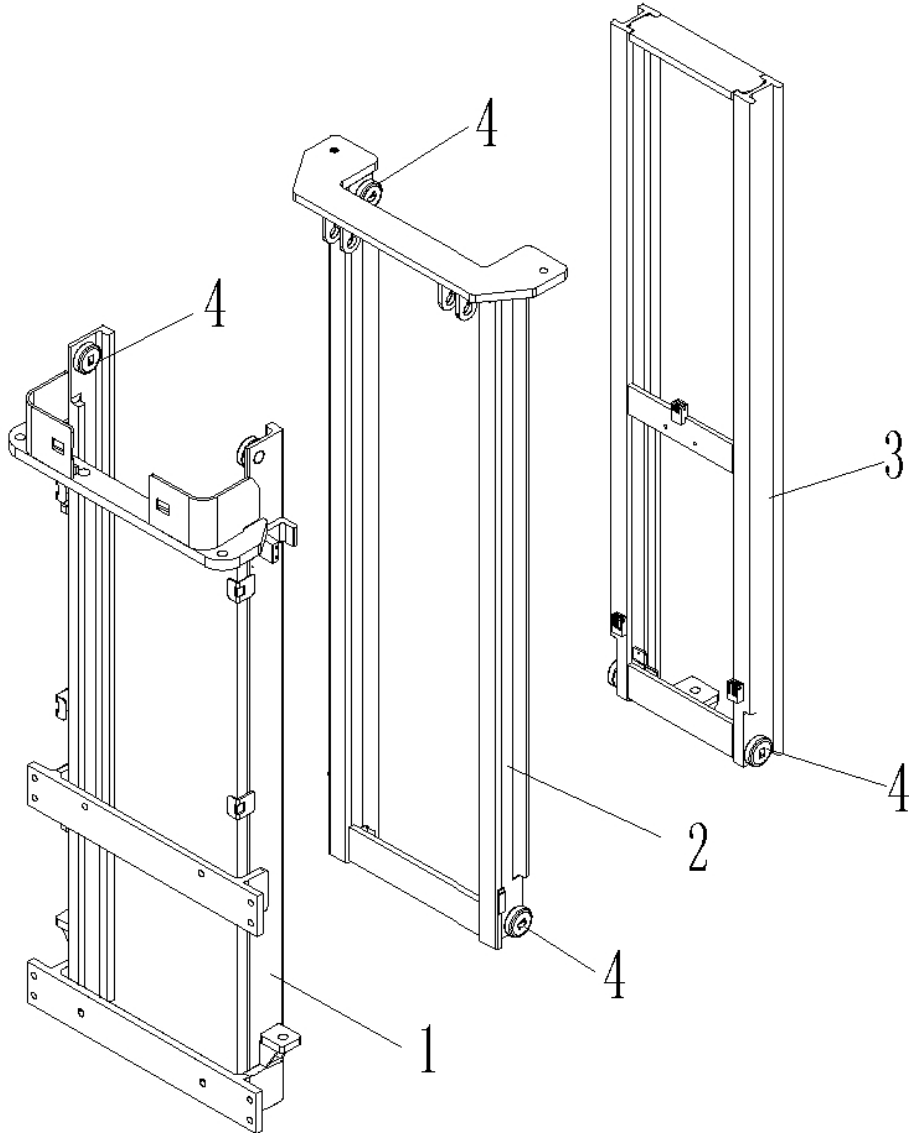


Fig.10 Three-stage mast system (full free lift)

No.	Art No.	New Art No.	Description	Qty.	Note
1		534444510000	Mast	1	4600
		534444510004	Mast	1	4300
2		534444510001	Mast	1	4600
		534444510005	Mast	1	4300
3		534444510002	Mast	1	4600
		534444510006	Mast	1	4300
4	2240611001	940200300001	Roller	8	

Fig.11 Two-stage mast system (full free lift)

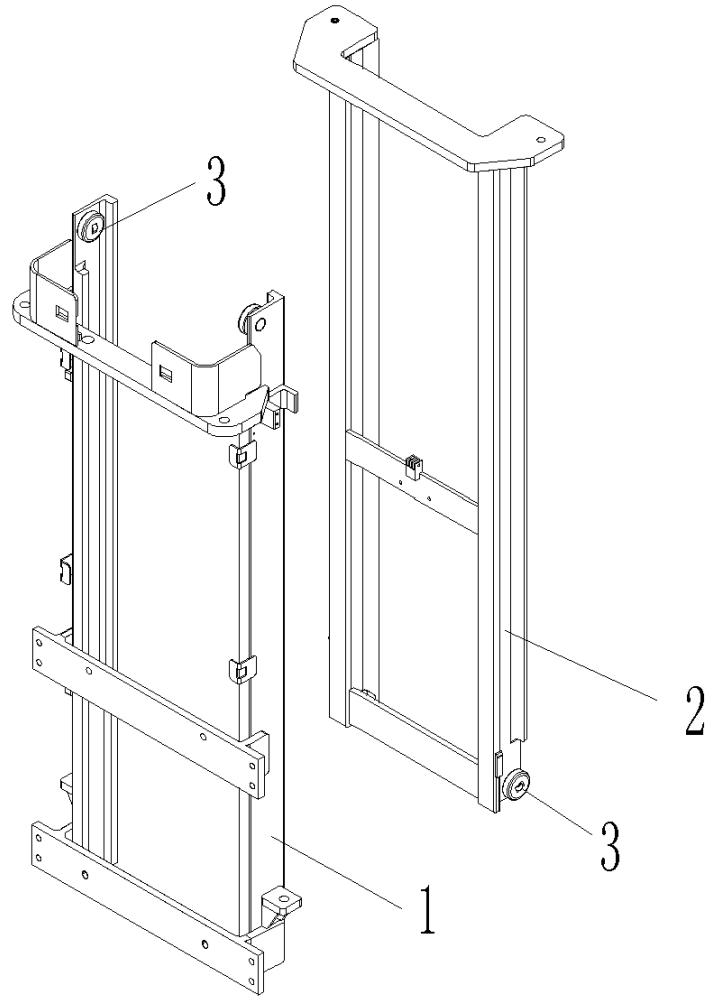


Fig.11 Two-stage Mast System(full free lift)

No.	Art No.	New Art No.	Description	Qty.	Note
1		534443510000	Mast	1	3600
		534443510002	Mast	1	3200
		534443510004	Mast	1	2900
2		534443510001	Mast	1	3600
		534443510003	Mast	1	3200
		534443510005	Mast	1	2900
3	2240611001	940200300001	Roller	4	

Fig.12 Two-stage mast system (standard lift)

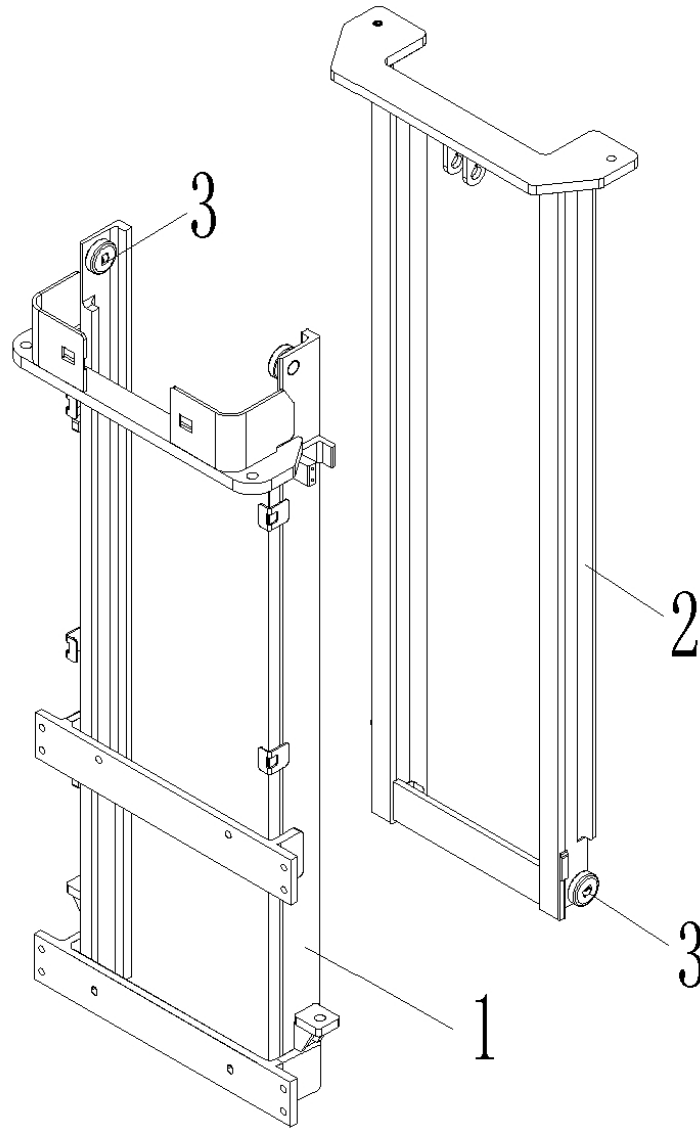


Fig.12 Two-stage Mast System (standard lift)

No.	Art No.	New Art No.	Description	Qty.	Note
1		534444010009	Mast	1	3600
		534444010011	Mast	1	3200
		534444010013	Mast	1	2900
2		534444010010	Mast	1	3600
		534444010012	Mast	1	3200
		534444010014	Mast	1	2900
3	2240611001	940200300001	Roller	4	

Fig.13 Three-stage mast chain system (full free lift)

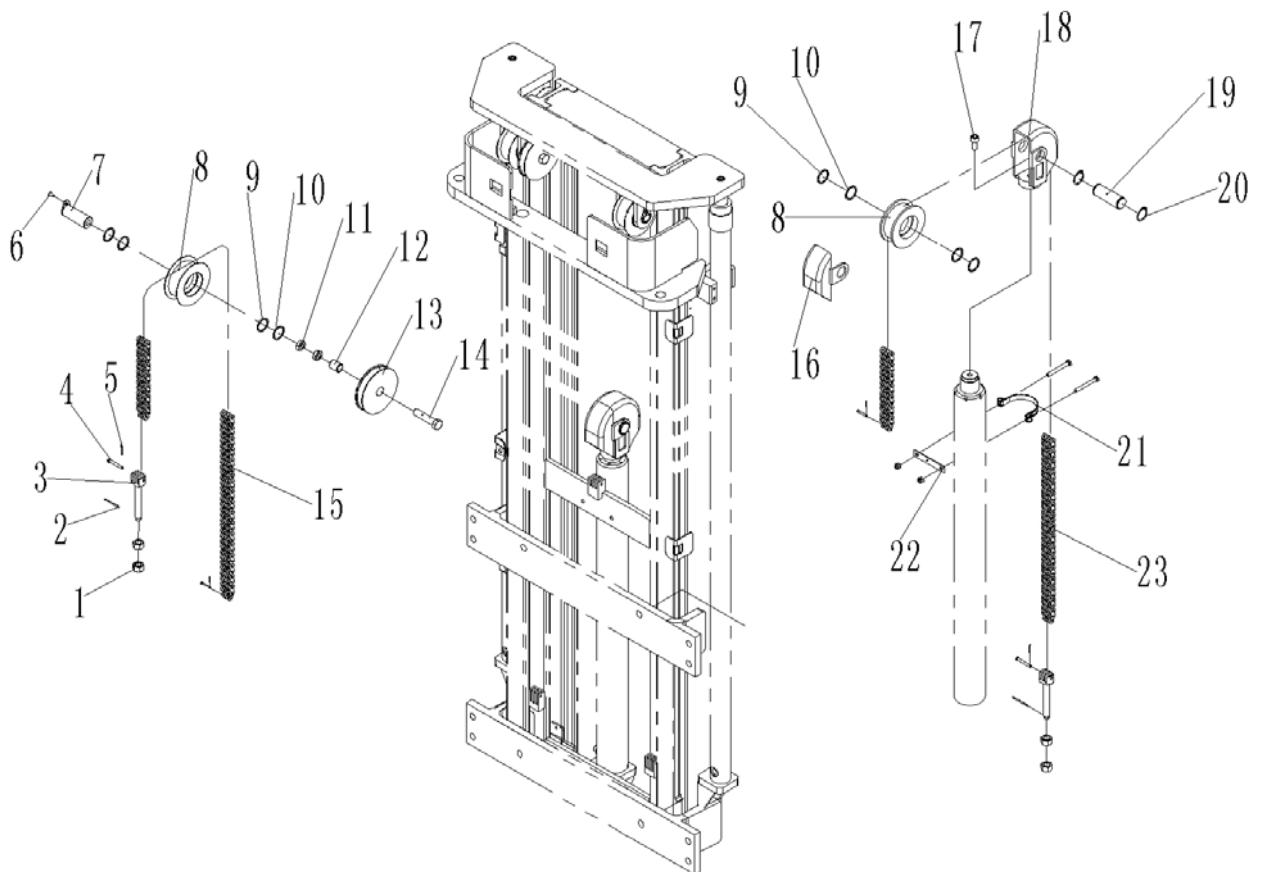


Fig.13 Three-stage mast chain system (full free lift)

No.	Art No.	New Art No.	Description	Qty.	Note
1	0090000442	910300200008	Nut	6	M16x1.5
2	0090000035	910600600032	Split pin	3	3.2x40
3	9000008260	941300100008	Bolt	3	M16x1.5x130
4	0000028030	941100800006	Short axle	6	B6x45
5	0000028010	910600600015	Split pin	6	2x20
6	0000023091	910200400016	Screw	2	M6x12
7	9000009130	533544510006	Chain wheel axle	2	
8	9000015636	940200500010	Bearing	3	
9	2000302002	940600500008	Washer	6	厚 2
10	9000015670	940600500009	Washer	6	厚 4
11	0000024010	910300300008	Nut	2	M16
12	9000008245	532644520028	Bearing bushing	1	
13	9000008246	532644520032	Pulley	1	
14	0000023123	910100100074	Bolt	1	M16x70
15		534444510003	Chain, LH1066-81	2	4600
	0000029068	532644510083	Chain, LH1066-79	2	4300
16	9000014393	532644520036	Side cover	1	
17	0000023156	910200200097	Screw	1	M12x25
18	9000014392	532644520035	Chain wheel seat	1	
19	9000014394	532644520037	Chain wheel axle	1	
20	0000026008	910401300016	Circlip	2	30
21	9000009831	940800600002	Hoop assembly	1	Center distance 96
22	9000015319	534744520014	Middle cylinder pad	1	
23	0000029070	534145010005	Chain, LH1066-123	1	4600
	0000029071	534745010009	Chain, LH1066-117	1	4300

Fig.14 Two-stage mast chain system (full free lift)

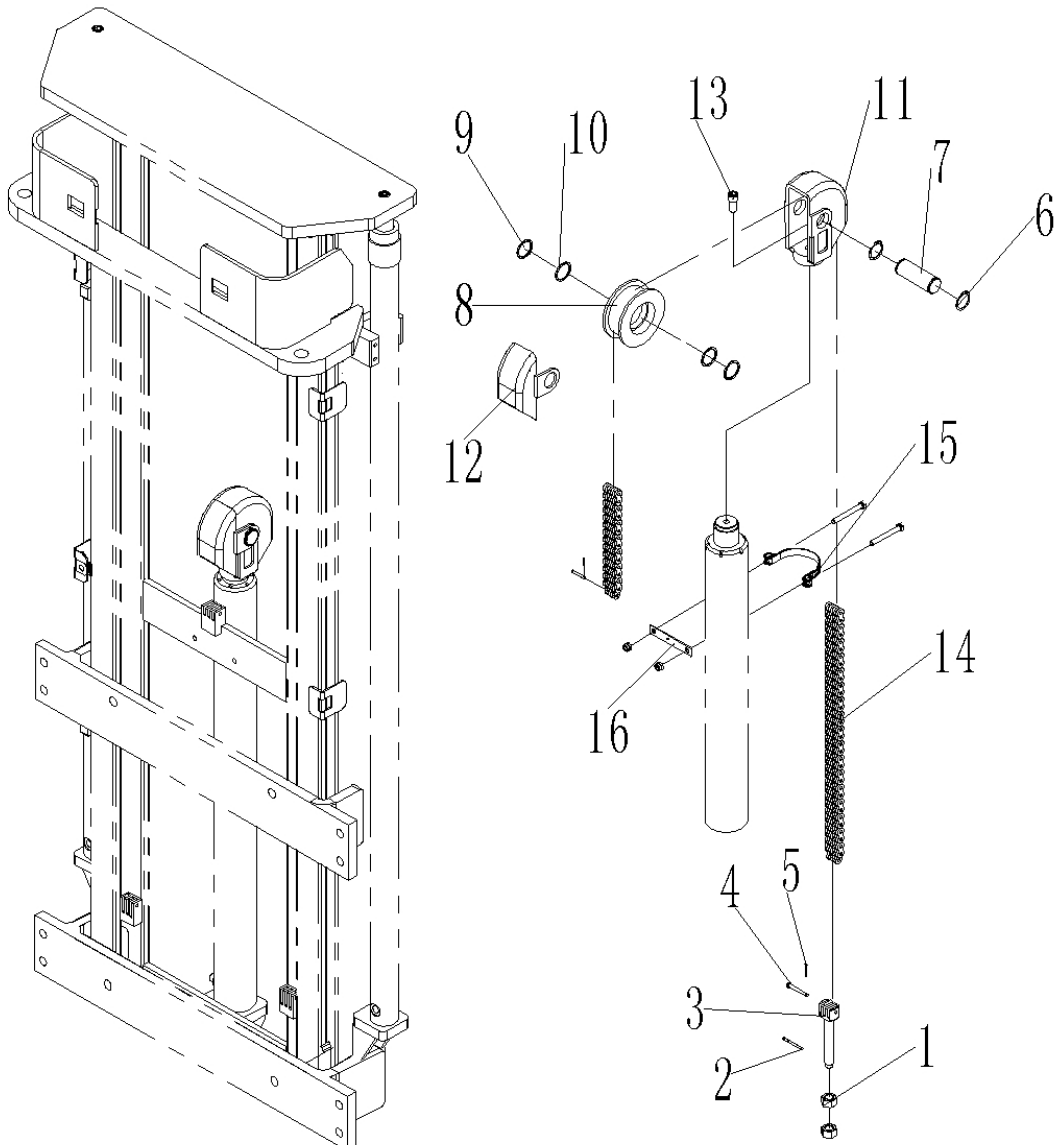


Fig.14 Two-stage Mast Chain System (full free lift)

No.	Art No.	New Art No.	Description	Qty.	Note
1	0090000442	910300200008	Nut	2	M16x1.5
2	0090000035	910600600032	Split pin	2	3.2x40
3	9000008260	941300100008	Bolt	1	M16x1.5x130
4	0000028030	941100800006	Short axle	2	B6x45
5	0000028010	910600600015	Split pin	2	2x20
6	9000014394	532644520037	Chain wheel axle	1	
7	0000026008	910401300016	Circlip	2	30
8	9000015636	940200500010	Chain wheel for mast	1	
9	2000302002	940600500008	Adjusting washer	2	thickness 2
10	9000015670	940600500009	Adjusting washer	2	thickness 4
11	9000014393	532644520036	Side cover	1	
12	2230305001	532644520035	Chain wheel seat	1	
13	0000023156	910200200097	Screw	1	M12x25
14	0000029057	532644510079	Chain, LH1066-89	1	3600
	0090000830	534744510024	Chain, LH1066-83	1	3200
		251044510096	Chain, LH1066-77	1	2900
15	9000009831	940800600002	Hoop assembly	1	center distance 96
16	9000015319	534744520014	Middle cylinder pad	1	

Fig.15 Two-stage mast chain system (standard lift)

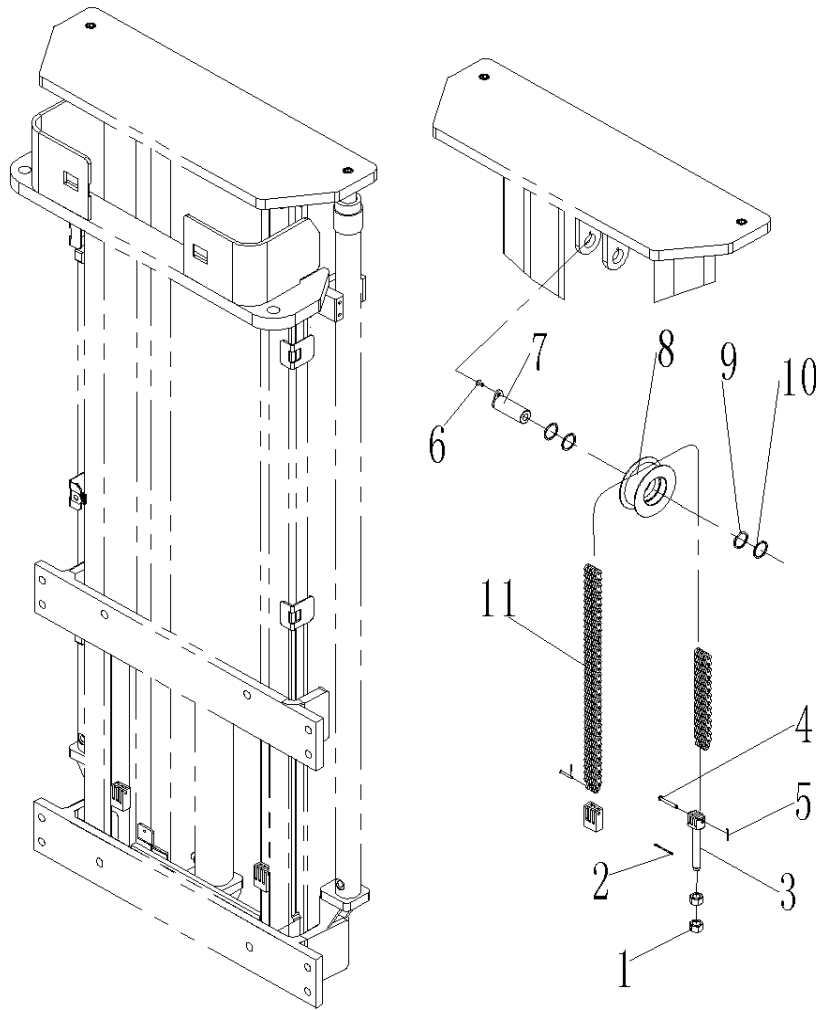


Fig.15 Two-stage Mast Chain System (standard lift)

No.	Art No.	New Art No.	Description	Qty.	Note
1	0090000442	910300200008	Nut	4	M16x1.5
2	0090000035	910600600032	Split pin	2	3.2x40
3	9000008114	941300100007	Chain pulling rod	2	M16x1.5x135
4	0000028017	941100800005	Short axle	2	B6x35
5	0000028010	910600600015	Split pin	2	2x20
6	0000023091	910200400016	Screw	1	M6x12
7	9000009130	533544510006	Chain wheel axle	1	
8	9000015636	940200500010	Chain wheel for mast	1	
9	2000302002	940600500008	Adjusting washer	2	thickness 2
10	9000015670	940600500009	Adjusting washer	2	thickness 4
11	0090000622	534444010025	Chain, LH1046x139	1	3600
	0000029248	534444010026	Chain, LH1046x127	1	3200
	0090000801	534444010024	Chain, LH1046x117	1	2900

Fig.16 Mast and other parts

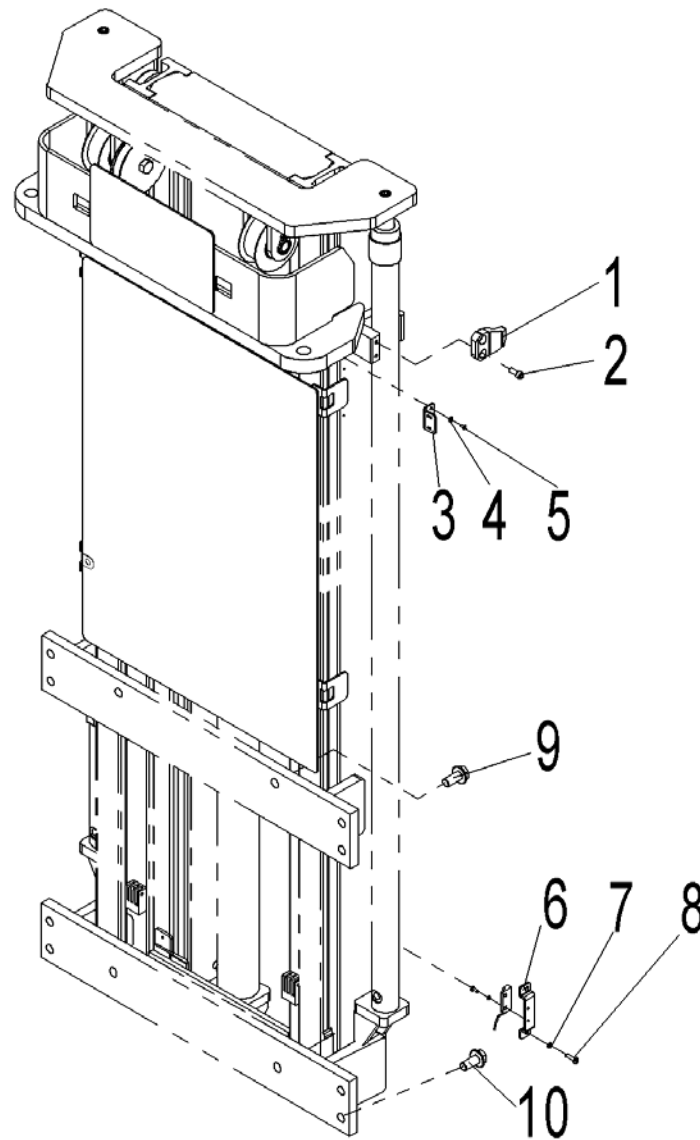


Fig.16 Mast and other Parts

No.	Art No.	New Art No.	Description	Qty.	Note
1	3018005004	275044020076	Cylinder pressing plate	2	
2	0000023044	910200200057	Screw	4	M8x20
3	9000015321	534744520036	Limit switch fixing plate	1	
4	0000025008	910400100003	Washer	2	4
5	1000123003	910200300005	Screw	2	M4x8
6		534744520059	Protective cover	1	
7	0000025009	910400500003	Washer	2	4
8	0000023056	910200200014	Screw	2	M4x12
9	0090000018	910100800005	Bolt	4	M16x35
10	0090000823	910100800006	Bolt	8	M16x40

Fig.17 Three-stage mast hydraulic system (full free lift)

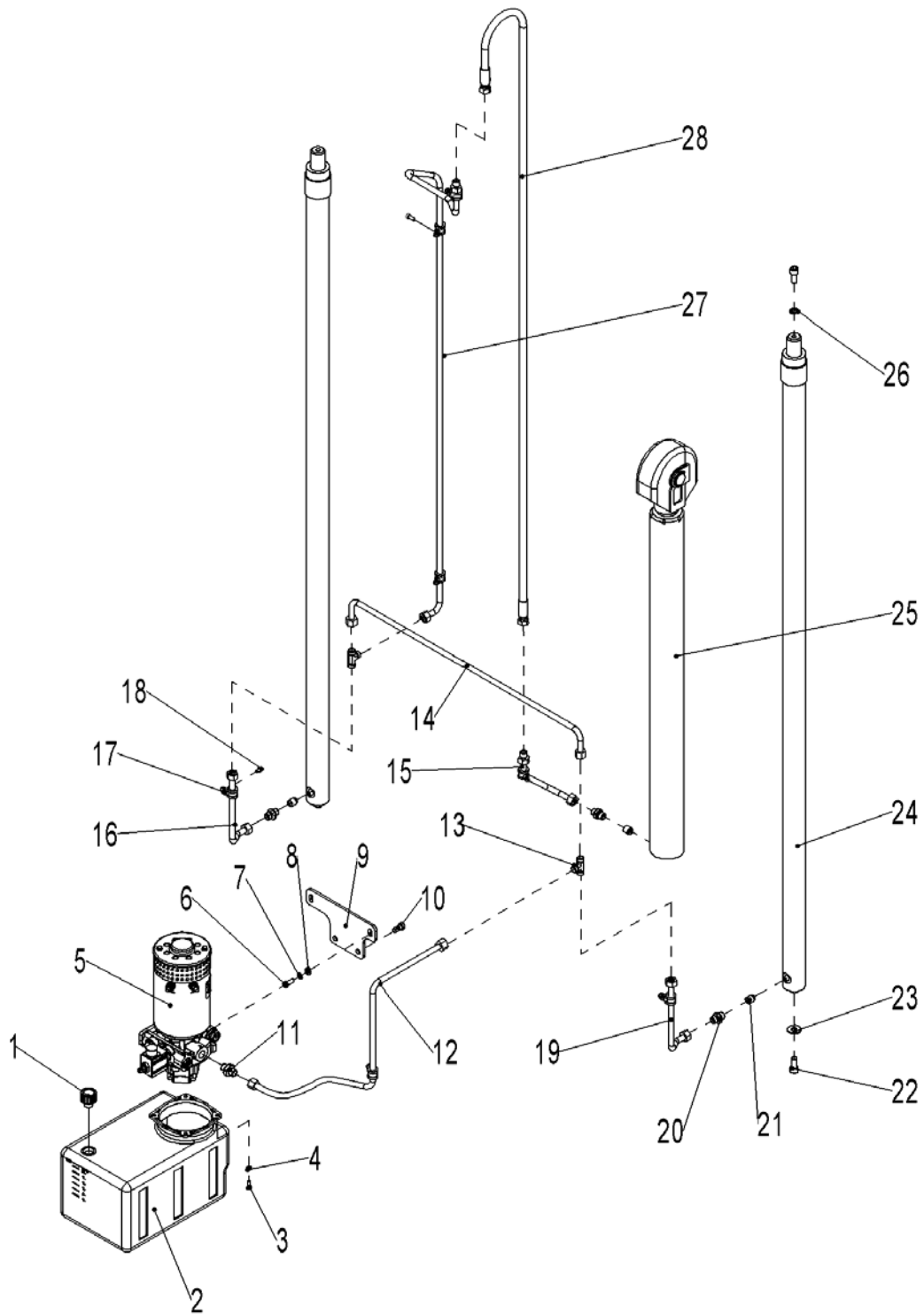


Fig.17 Three-stage mast hydraulic system (full free lift)

No.	Art No.	New Art No.	Description	Qty.	Note
1		951100200004	Air plug	1	
2		534719020002	Oil tank	1	
3	0090000025	910100300010	Bolt	4	M6x16
4	0000023055	910400100005	Washer	4	6
5	9000015649	950900100015	Hydraulic power unit 24V3.2KW4.0cc	1	Without tank
6	0000023044	910200200057	Screw	4	M8x20
7	0000025001	910400500006	Washer	4	8
8	0000025011	910400100006	Washer	1	8
9		534719020001	Fixing plate	1	
10	0000023034	910200200075	Screw	2	M10x20
11	9000015645	950400300005	G straight pipe joint	1	
12	9000015647	534424010001	Special pipe assembly	1	
13	9000007846	950400700002	Tee coupling	2	
14	9000015375	534724010000	Steel pipe	1	
15	9000009127	533544520006	Steel pipe	1	
16		534724010005	Steel pipe	1	
17	9000014895	951000100001	YGE pipe clamp	3	12
18	0000023604	910200200045	Screw	3	M6x6
19		534724010006	Steel pipe	1	
20	9000007842	950400400003	Straight pipe joint	3	
21	2000337001	950600300001	Safety valve	3	
22	0000023156	910200200097	Screw	4	M12x25
23	9000015320	534744520015	Cylinder fixing pad	2	
24	9000015426	534744510016	Cylinder	2	4600
	9000015450	534744510017	Cylinder	2	4300
25	9000015425	534744510012	Cylinder(M)	1	4600
	9000015449	534744510013	Cylinder(M)	1	4300
26	0000025024	910400500008	Washer	2	12
27	9000015330	534744510020	Steel pipe	1	4600
	9000015390	534744510021	Steel pipe	1	4300
28	9000010286	532644520144	Hydraulic hose assembly	1	4600
	9000010284	532644520143	Hydraulic hose assembly	1	4300

Fig.18 Two-stage mast hydraulic system (full free lift)

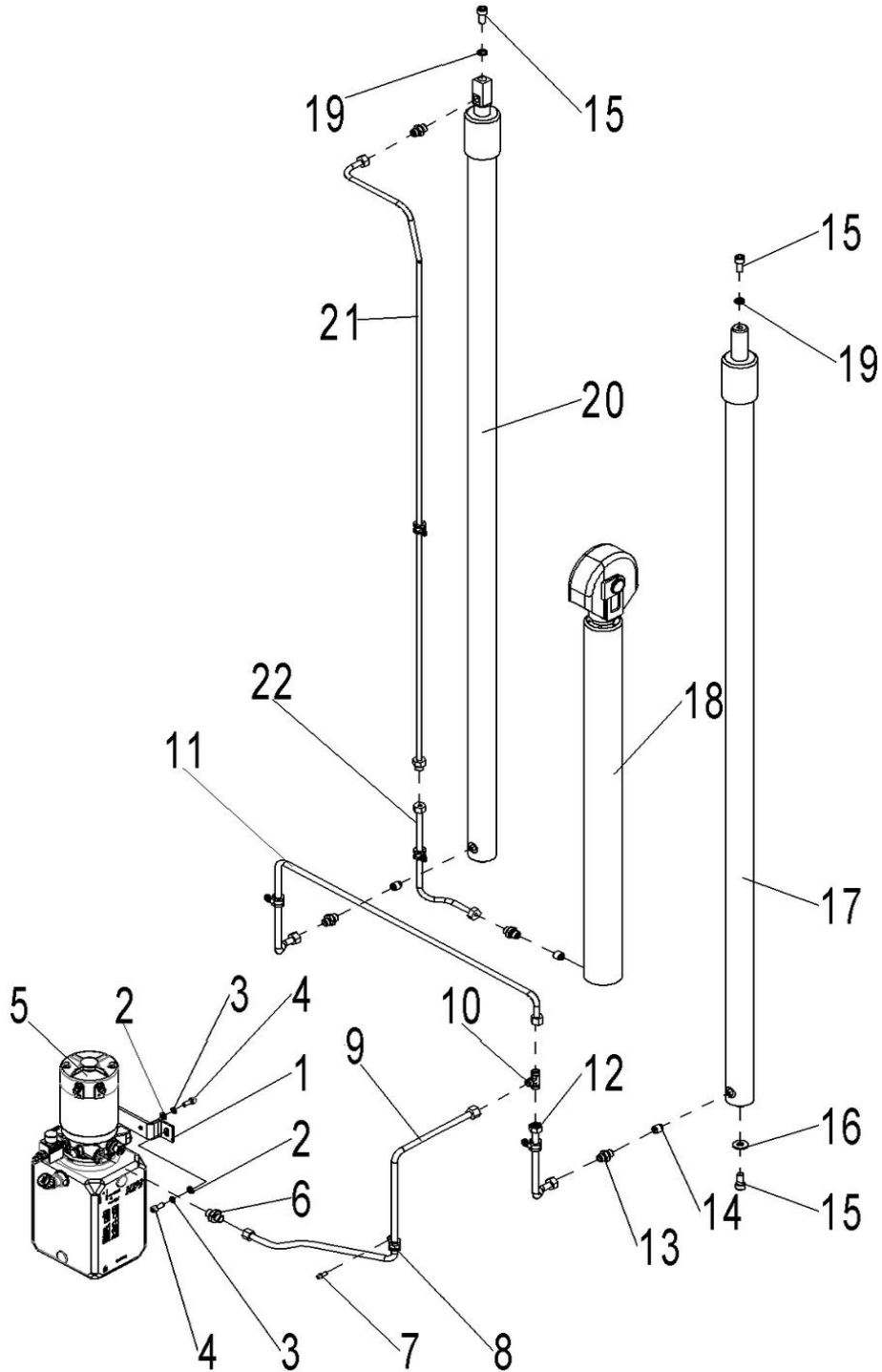


Fig.18 Two-stage Mast Hydraulic System (full free lift)

No.	Art No.	New Art No.	Description	Qty.	Note
1	9000015703	534424020000	Pump fixing plate	1	
2	0000025011	910400100006	Washer	4	8
3	0000025001	910400500006	Washer	4	8
4	0000023044	910200200057	Screw	4	M8x20
5	9000016361	950900100014	Hydraulic power unit 24V1.5KW2.0cc	1	
6	9000007832	950400300007	G straight pipe joint	1	
7	0000023604	910200200045	Screw	3	M6x6
8	9000014895	951000100001	YGE pipe clamp	3	12
9	9000015647	534424010001	Special pipe assembly	1	
10	9000007846	950400700002	Tee coupling	2	
11		534724010008	Steel pipe	1	
12		534724010007	Steel pipe	1	
13	9000007842	950400400003	Straight pipe joint	2	
14	2000337001	950600300001	Safety valve	2	
15	0000023156	910200200097	Screw	4	M12x25
16	9000015320	534744520015	Cylinder fixing pad	2	
17	9000015771	534444010021	Cylinder(R)	1	3600
	9000015779	534444010022	Cylinder(R)	1	3200
	9000015785	534444010023	Cylinder(R)	1	2900
18	9000015772	534444010018	Cylinder(M)	1	3600
	9000015780	534444010019	Cylinder(M)	1	3200
	9000015786	534444010020	Cylinder(M)	1	2900
19	0000025024	910400500008	Washer	4	12
20	9000015770	534444010015	Cylinder(L)	1	3600
	9000015778	534444010016	Cylinder(L)	1	3200
	9000015784	534444010017	Cylinder(L)	1	2900
21	9000015243	534743510015	Steel pipe	1	3600
	9000015255	534743510016	Steel pipe	1	3200
	9000015267	534743510017	Steel pipe	1	2900
22	9000015242	534743510018	Steel pipe	1	

Fig.19 Two-stage mast hydraulic system (standard lift)

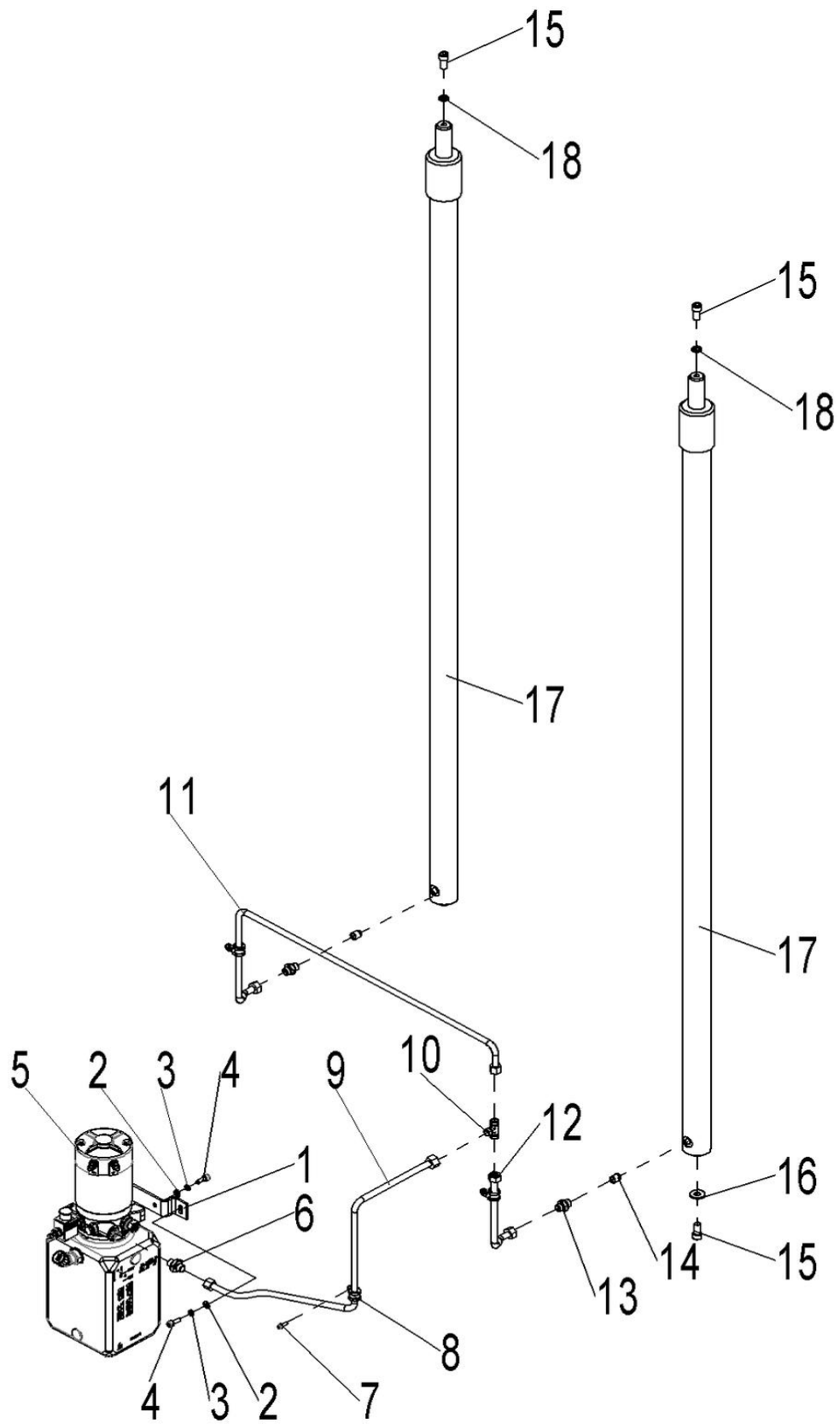


Fig.19 Two-stage Mast Hydraulic System (standard lift)

No.	Art No.	New Art No.	Description	Qty.	Note
1	9000015703	534424020000	Pump fixing plate	1	
2	0000025011	910400100006	Washer	4	8
3	0000025001	910400500006	Washer	4	8
4	0000023044	910200200057	Screw	4	M8x20
5	9000016361	950900100014	Hydraulic power unit	1	24V1.5KW2.0cc
6	9000007832	950400300007	G straight pipe joint	1	
7	0000023604	910200200045	Screw	3	M6x6
8	9000014895	951000100001	YGE pipe clamp	3	12
9	9000015647	534424010001	Special pipe assembly	1	
10	9000007846	950400700002	Tee coupling	2	
11		534724010008	Steel pipe	1	
12		534724010007	Steel pipe	1	
13	9000007842	950400400003	Straight pipe joint	2	
14	2000337001	950600300001	Safety valve	2	
15	0000023156	910200200097	Screw	4	M12x25
16	9000015320	534744520015	Cylinder fixing pad	2	
17	9000015724	534444010006	Cylinder	2	3600
	9000015738	534444010007	Cylinder	2	3200
	9000015742	534444010008	Cylinder	2	2900
18	0000025024	910400500008	Washer	2	12

Fig.20 Three-stage mast outer cylinder assembly (full free lift)

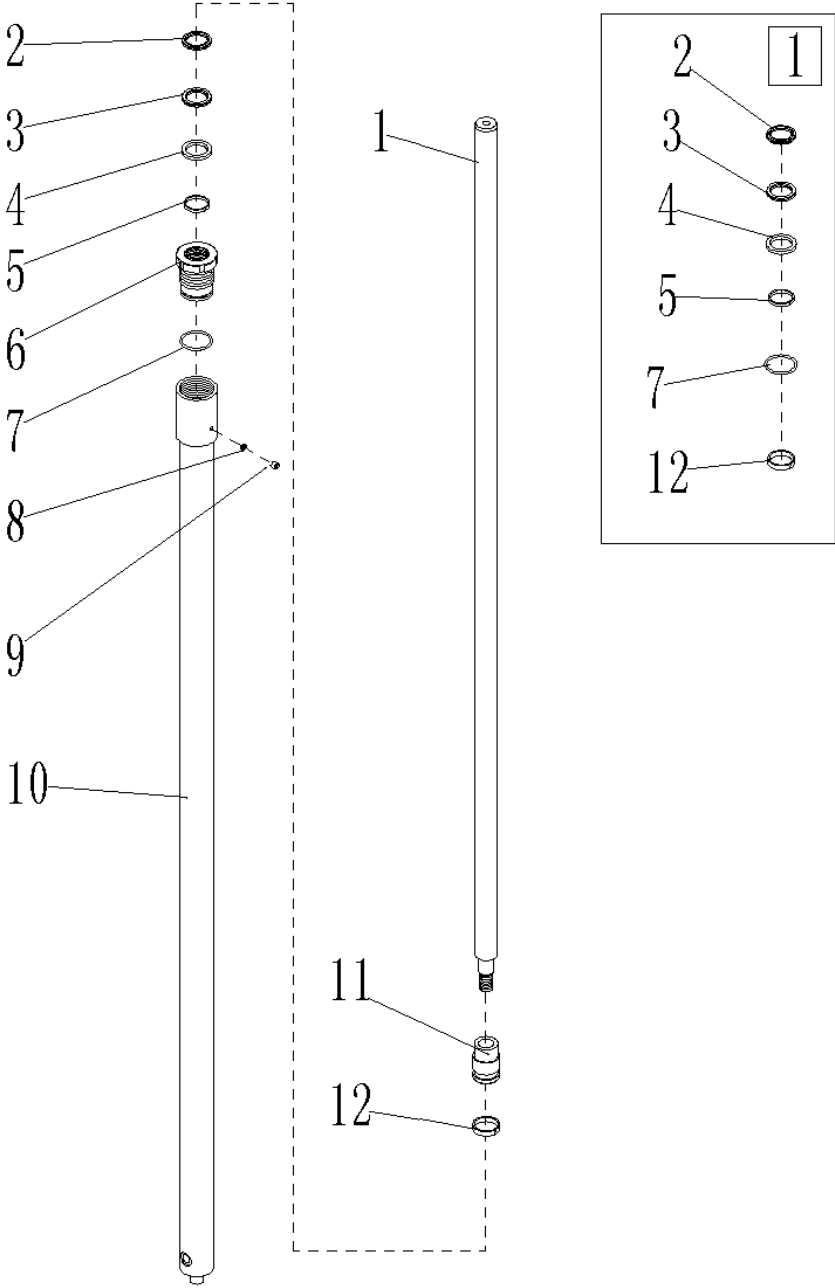


Fig.20 Three-stage mast outer cylinder assembly (full free lift)

No.	Art No.	New Art No.	Description	Qty.	Note
1	9000015326	534798520001	Piston rod	1	4600
	9000015388	534798520002	Piston rod	1	4300
2	9000015656	534798520004	Dust ring	1	
3	9000015657	534798520005	Seal ring for axle	1	
4	9000015658	534798520006	Seal ring	1	
5	9000015659	534798520007	Supporting ring for shaft	1	
6	9000015327	534798520008	Cylinder cover	1	
7	9000015660	910800100093	O ring	1	
8	0000022026	910800900010	Combined seal washer	1	8
9	0000023415	910200200051	Screw	1	M8x10
10	9000015328	534798520010	Cylinder barrel	1	4600
	9000015389	534798520011	Cylinder barrel	1	4300
11	9000015329	534798520013	Piston	1	
12	9000015661	533298520004	Supporting ring for hole	1	
①	9000015673	534798510000	Outer cylinder seal assembly	1	

Fig.21 Three-stage mast middle cylinder assembly (full free lift)

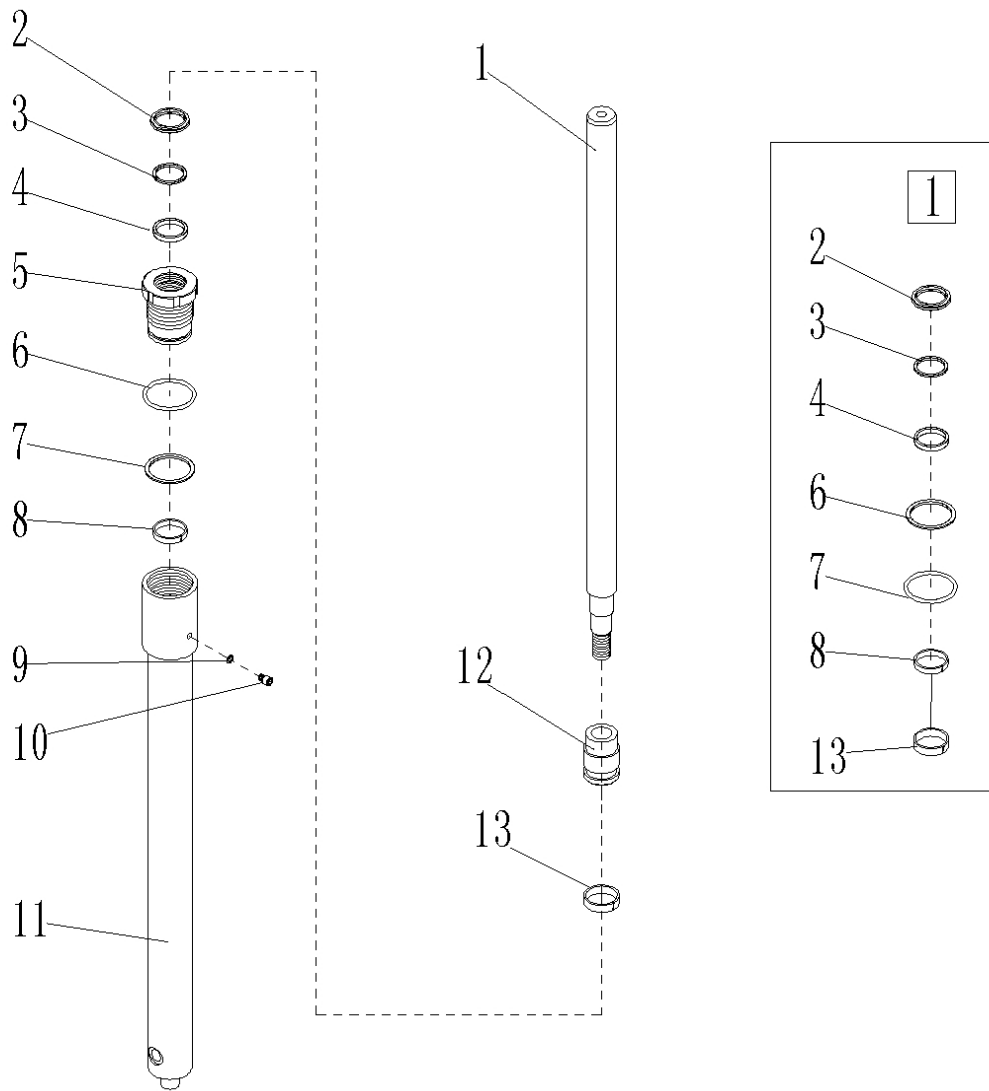


Fig.21 Three-stage mast middle cylinder assembly (full free lift)

No.	Art No.	New Art No.	Description	Qty.	Note
1	9000015323	534798520014	Piston rod	1	4600
	9000015386	534798520015	Piston rod	1	4300
2	9000015662	534798520042	Dust ring	1	
3	9000015663	534798520063	Stop collar	1	
4	9000010181	534798520064	Seal ring for axle	1	
5	9000015322	534798520065	End cover	1	
6	9000015664	534498520021	O ring	1	
7	9000015665	534798520066	Stop collar	1	
8	9000015666	534798520067	Supporting ring for axle	1	
9	0000022026	910800900010	Combined sealing washer	1	8
10	0000023415	910200200051	Screw	1	M8x10
11	9000015324	534798520018	Cylinder barrel	1	4600
	9000015387	534798520019	Cylinder barrel	1	4300
12	9000015325	534798520071	Piston	1	
13	9000015667	534798520072	Supporting ring for hole	1	
①	9000015674	534798510001	Middle cylinder seal assembly	1	

Fig.22 Two-stage mast outer cylinder assembly (full free lift)

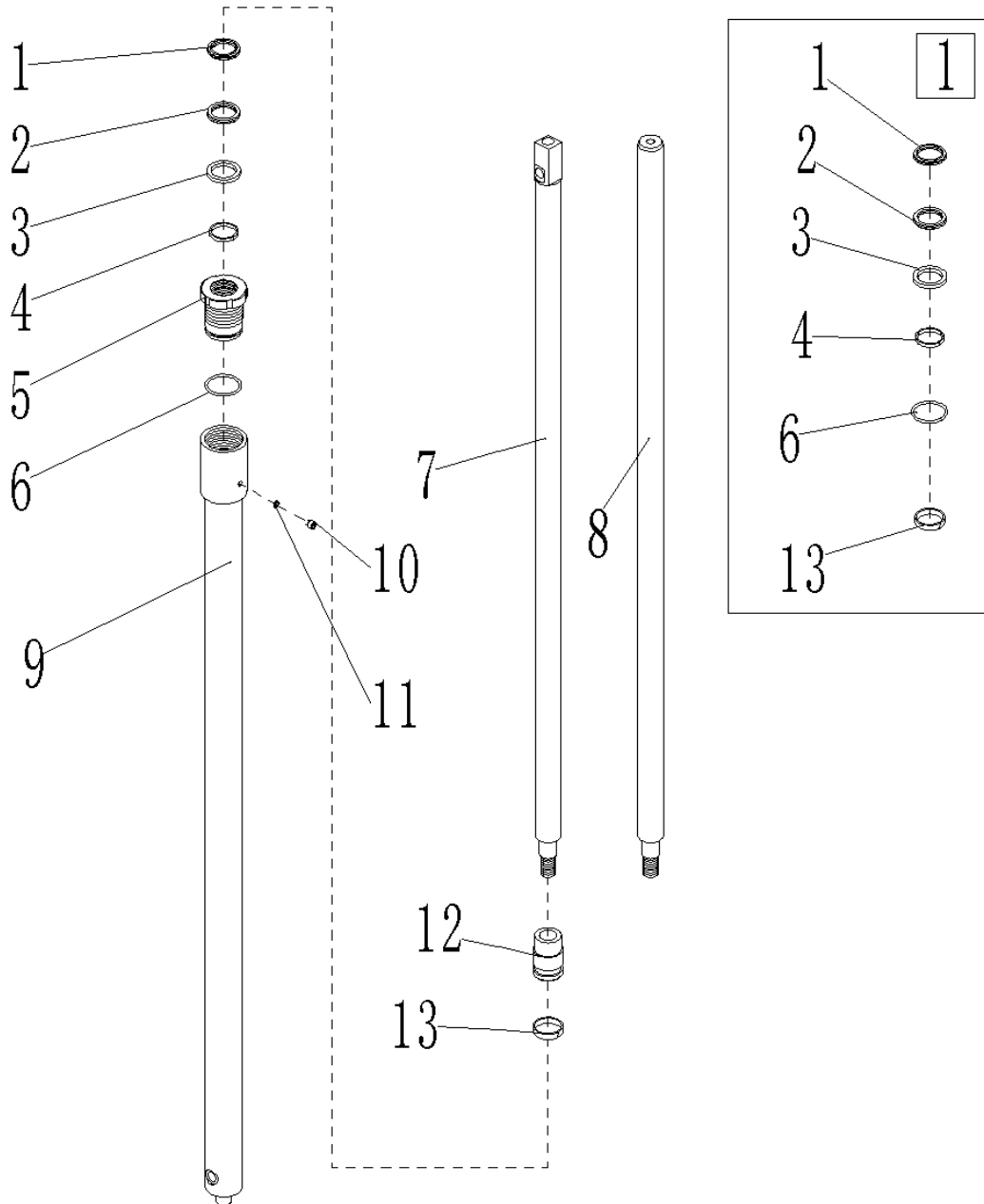


Fig.22 Two-stage Mast outer Cylinder Assembly (full free lift)

No.	Art No.	New Art No.	Description	Qty.	Note
1	9000016336	534498520000	Dust ring	1	
2	9000016337	534498520001	Seal ring	1	
3	9000016338	534498520002	Seal ring	1	
4	9000016339	534498520003	Supporting ring	1	
5	9000015750	534498520004	Cylinder cover	1	
6	9000015660	910800100093	O ring	1	
7	9000015749	534498520006	Piston rod	1	3600 left cylinder
	9000015755	534498520007	Piston rod	1	3200 left cylinder
	9000015759	534498520008	Piston rod	1	2900 left cylinder
8	9000015763	534498520009	Piston rod	1	3600 right cylinder
	9000015757	534498520010	Piston rod	1	3200 right cylinder
	9000015761	534498520011	Piston rod	1	2900 right cylinder
9	9000015751	534498520012	Cylinder barrel	1	3600
	9000015756	534498520013	Cylinder barrel	1	3200
	9000015760	534498520014	Cylinder barrel	1	2900
10	0000022026	910800900010	Combined seal washer	1	8
11	0000023415	910200200051	Screw	1	M8x10
12	9000015752	534498520015	Piston	1	
13	9000015661	533298520004	Supporting ring	1	
☐	9000016335	534498510000	Outer cylinder seal assembly	1	

Fig.23 Two-stage mast middle cylinder assembly (full free lift)

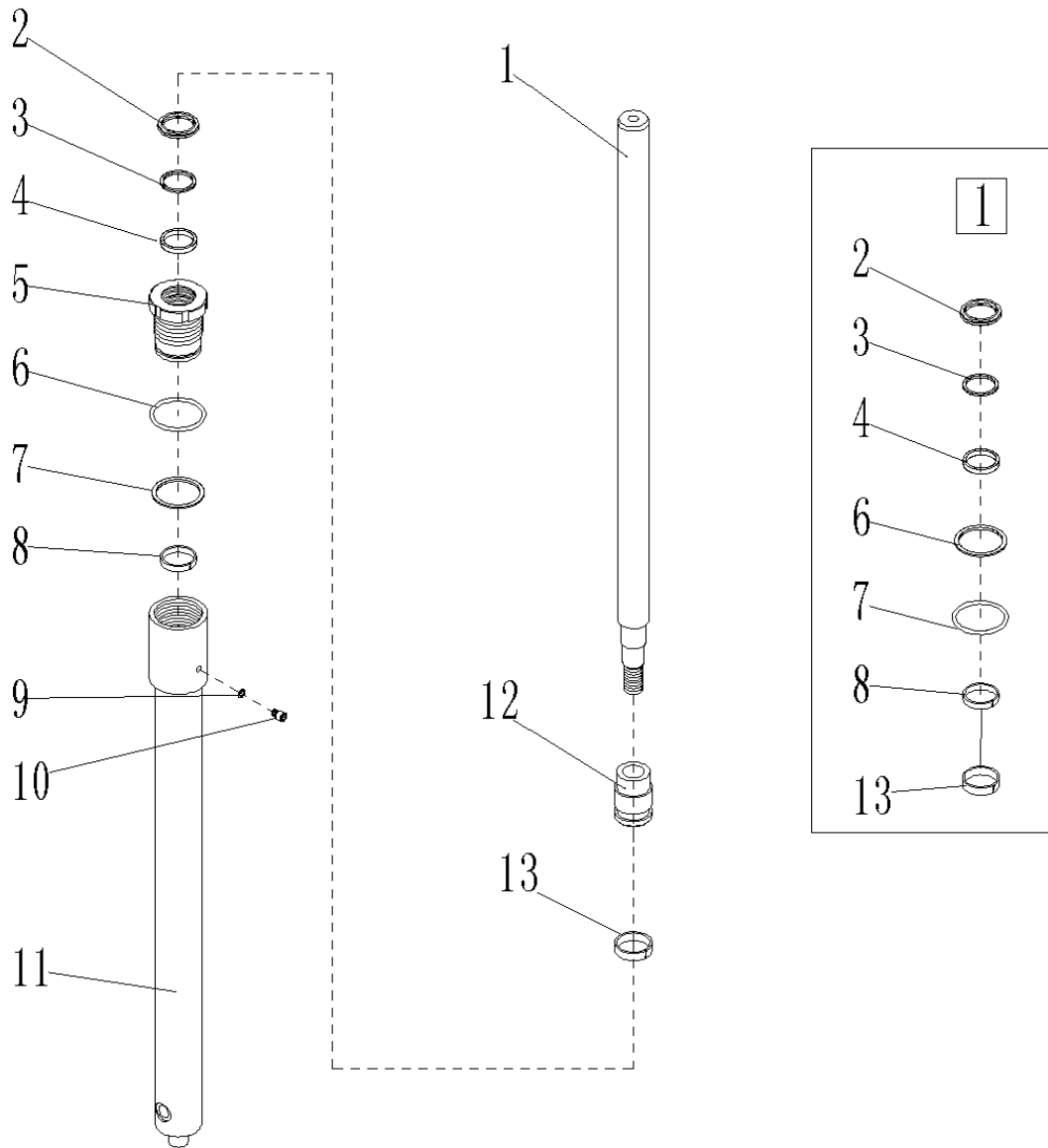


Fig.23 Two-stage Mast middle Cylinder Assembly (full free lift)

No.	Art No.	New Art No.	Description	Qty.	Note
1	9000015754	534498520016	Piston rod	1	3600
	9000015758	534498520017	Piston rod	1	3200
	9000015762	534498520018	Piston rod	1	2900
2	9000010701	504498520000	Dust ring	1	
3	9000016340	534498520019	Stop collar	1	
4	9000010700	504498520001	Y seal ring	1	
5	9000015753	534498520020	End cover	1	
6	9000015664	534498520021	O ring	1	
7	9000016341	534498520022	Stop collar	1	
8	9000016342	534498520023	Supporting ring	1	
9	0000022026	910800900010	Combined sealing washer	1	8
10	0000023415	910200200051	Screw	1	M8x10
11	9000015236	534798520068	Cylinder barrel	1	3600
	9000015282	534798520069	Cylinder barrel	1	3200
	9000015283	534798520070	Cylinder barrel	1	2900
12	9000015325	534798520071	Piston	1	
13	9000015667	534798520072	Supporting ring	1	
①	9000016343	534498510001	Middle cylinder seal assembly	1	

Fig.24 Two-stage mast outer cylinder assembly (standard lift)

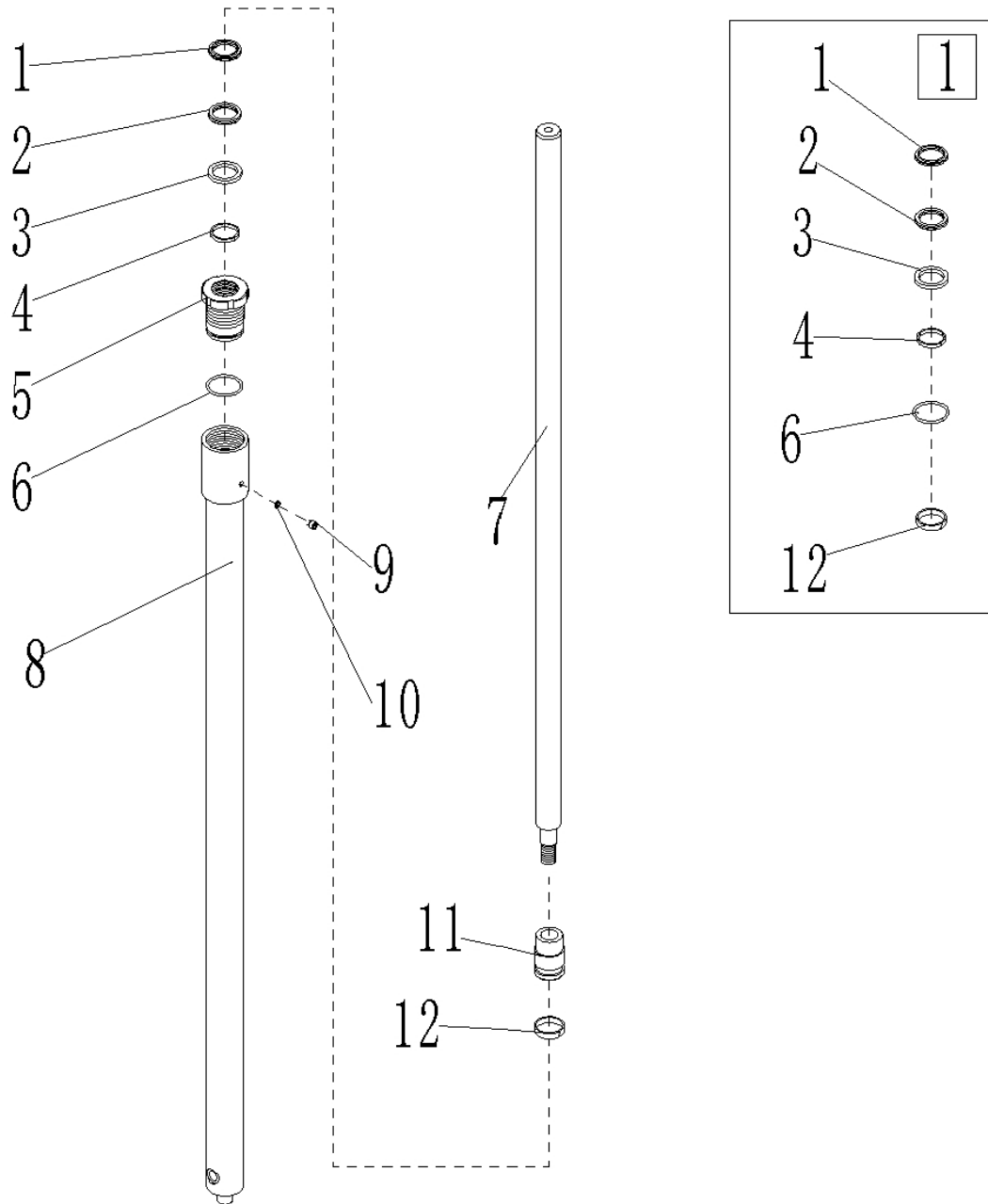


Fig.24 Two-stage Mast outer Cylinder Assembly (standard lift)

No.	Art No.	New Art No.	Description	Qty.	Note
1	9000009075	534498520026	Dust ring	1	
2	9000009079	534498520027	Seal ring	1	
3	9000008953	534498520028	Seal ring	1	
4	9000016344	534498520029	Supporting ring	1	
5	9000015693	534498520030	Cylinder cover	1	
6	9000015660	910800100093	O ring	1	
7	9000015692	534498520031	Piston rod	1	3600
	9000015710	534498520032	Piston rod	1	3200
	9000015716	534498520033	Piston rod	1	2900
8	9000015694	534498520034	Cylinder barrel	1	3600
	9000015711	534498520035	Cylinder barrel	1	3200
	9000015717	534498520036	Cylinder barrel	1	2900
9	0000023415	910200200051	Screw	1	M8x10
10	0000022026	910800900010	Combined sealing washer	1	8
11	9000015695	534498520037	Piston	1	
12	9000015661	533298520004	Supporting ring	1	
①	9000016345	534498510002	Outer cylinder seal assembly	1	

Fig.25 Drive system assembly

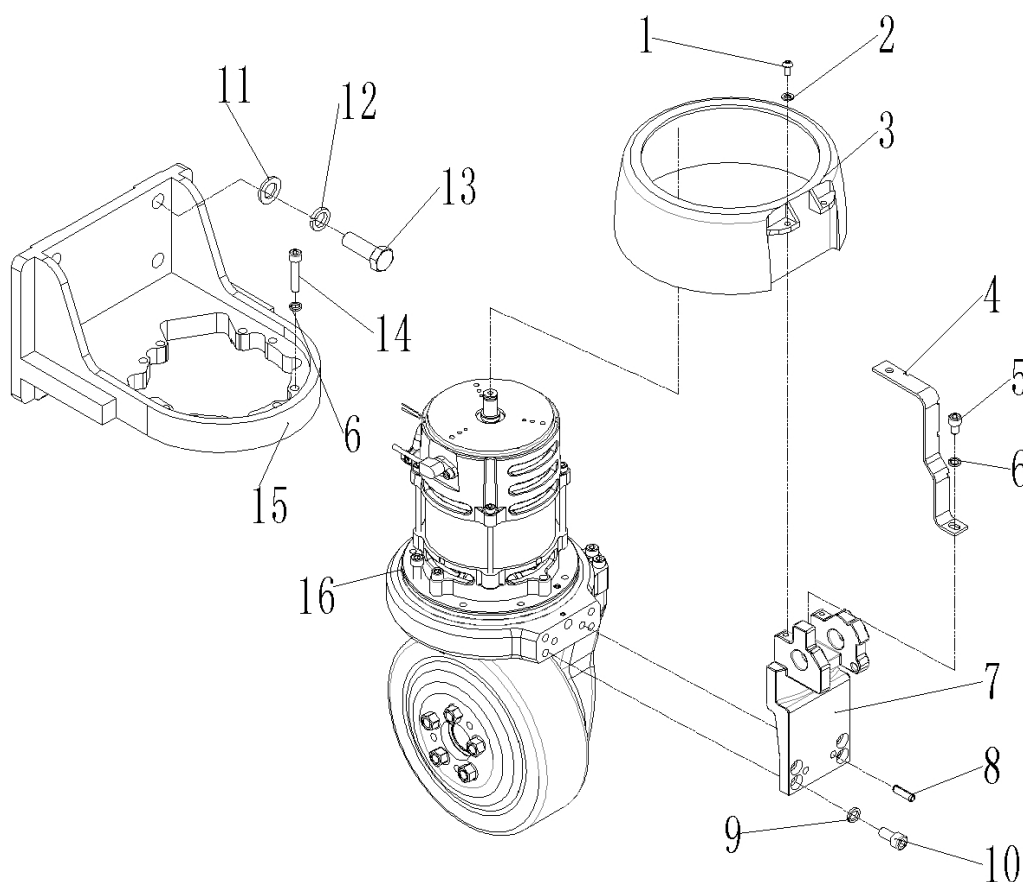


Fig.25 Drive System Assembly

No.	Art No.	New Art No.	Description	Qty.	Note
1	000023045	910200300017	Screw	2	M6x12
2	000023055	910400100005	Washer	2	6
3	9000015376	534713520003	Driving wheel cover	1	
4	9000015378	534713520002	Cable holder	1	
5	000023089	910200200053	Screw	1	M8x12
6	000025001	910400500006	Washer	5	8
7	9000011355	534713520001	Handle seat	1	
8	000028116	910600400044	Elastic dowel pin	2	8x26
9	000023006	910400500007	Washer	4	10
10	000023034	910200200075	Screw	4	M10x20
11	000025029	910400100010	Washer	4	16
12	000025055	910400500010	Washer	4	16
13	000023583	910100300071	Bolt	4	M16x45
14	000023077	910200200061	Screw	4	M8x40
15	9000015377	534713520000	Driving wheel seat	1	
16	9000010249	940900400002	Drive assembly	1	AC-1.3KW

Fig.26 1.3kw Drive wheel

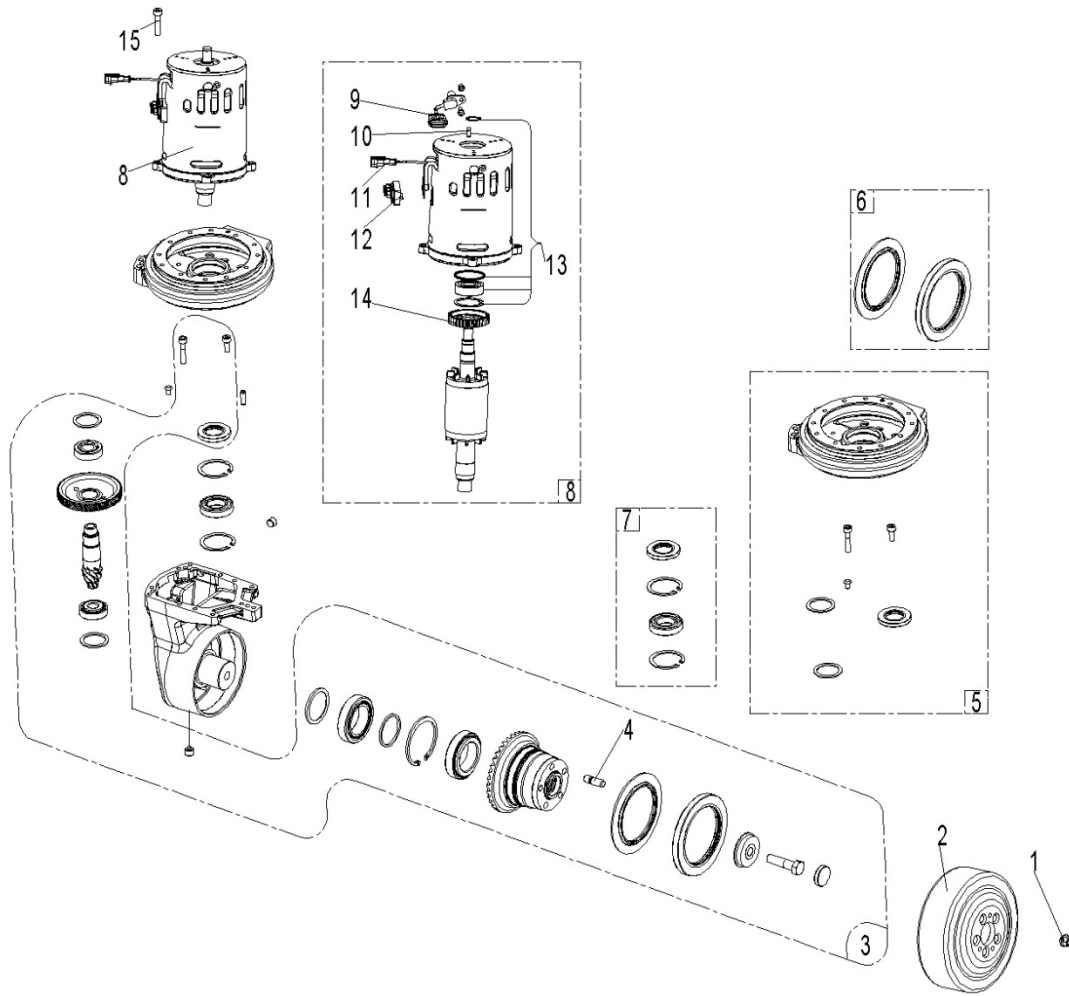


Fig.26 1.3kw Drive Wheel

No.	Art No.	New Art No.	Description	Qty.	Note
1	9000017519	504498520003	Collar nut	5	
2	1020237009	940300400005	Wheel	1	Ø230x70
3	9000011794	504498510001	Repair kit bevel gear set	1	
4	9000017530	504498520005	wheel stud	5	
5	9000011795	504498510002	Repair kit steering bearing	1	
6	9000011793	504498510003	Repair kit seal ring	1	
7	9000011792	504498510004	Repair kit helical ball bearing	1	
8	9000017531	504498510005	Asynchronous motor	1	
9	9000017532	504498520010	Sensor complete	1	
10	9000017533	504498520011	Fitting spring	1	
11	9000017534	504498520012	Temp. sensor	1	
12	9000017535	504498520013	Group terminal board 3polig	1	
13	9000017536	504498510006	Sparepart kit small parts	1	
14	9000017537	504498520015	Gear wheel sensor	1	
15	9000017538	504498520016	Screw	4	M8x22

Fig.27 Load wheel assembly

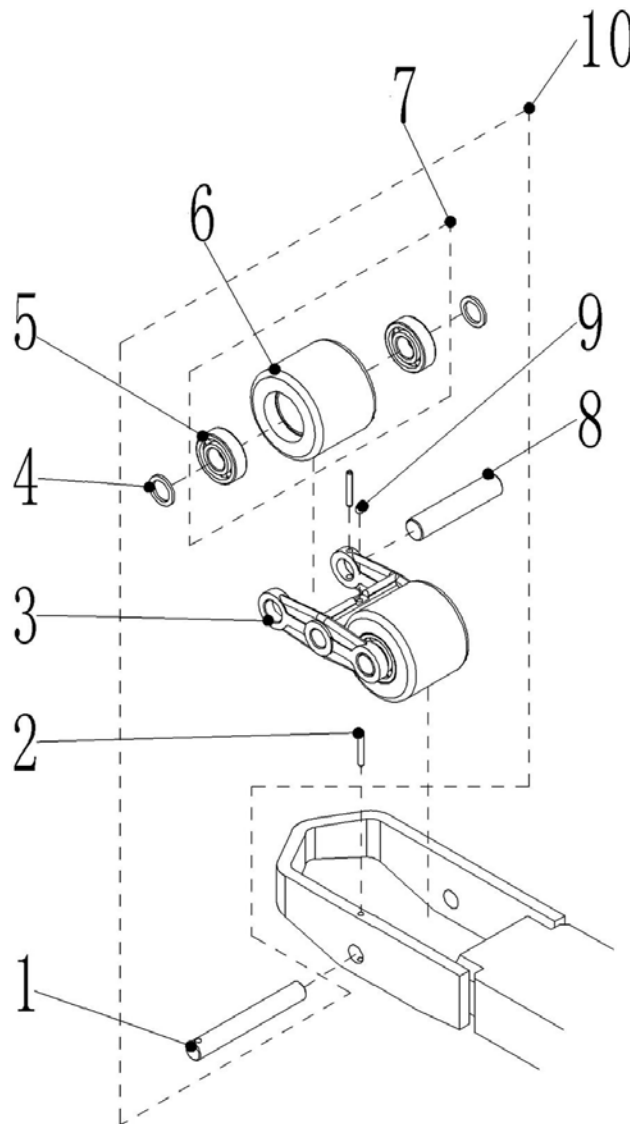


Fig.27 Load Wheel Assembly

No.	Art No.	New Art No.	Description	Qty.	Note
1	9000012092	504117020003	Connecting shaft	2	
2	0000028009	910600400027	Elastic dowel pin	6	5x35
3	9000012093	504117020004	Double wheel carrier	2	
4	9000010718	940600500004	Adjusting washer	8	thickness 2.5
5	0000027001	910700200019	Bearing	8	6204
6	1000507011	940300300009	Load wheel	4	Ø84x70
7	9000010727	532998510001	Wheels fittings	4	
8	9000012094	504117020005	Small wheel shaft	4	
9	0000030001	911200100001	Grease cup	1	6
10	9000010728	532917001000	Load wheel assembly	2	

Fig.28 Handle assembly

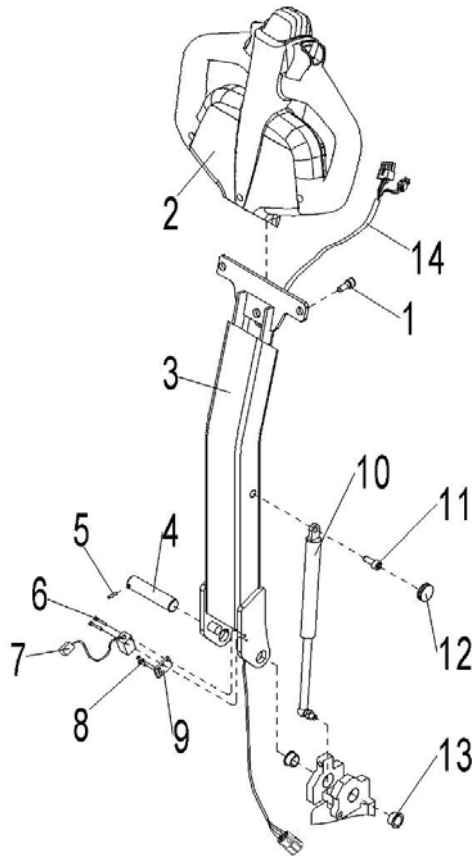


Fig.28 Handle Assembly

No.	Art No.	New Art No.	Description	Qty.	Note
1	0000023047	910200200058	Screw	2	M8x25
2	1100100001	922100100001	Handle components	1	REMA
3	9000010693	504411010001	Handle bar	1	
4	9000010694	504411020011	Spindle	1	
5	0000028162	910600400009	Elastic dowel pin	1	4x14
6	0000023165	910200500015	Screw	2	M3x20
7	9000008329	505633510002	Interlock switch	1	800mm
8	0000023056	910200200014	Screw	2	M4x12
9	9000010695	504411020009	Switch baseplate	1	
10	9000011289	940400100011	Air spring	1	1000N
11	0000023044	910200200057	Screw	1	M8x20
12	1030418001	502311020009	Envelope	1	
13	0000013002	940500200005	Bushing	2	
14	9000010650	534733010001	Handle control harness	1	COMBIACX

Fig.29 Handle components

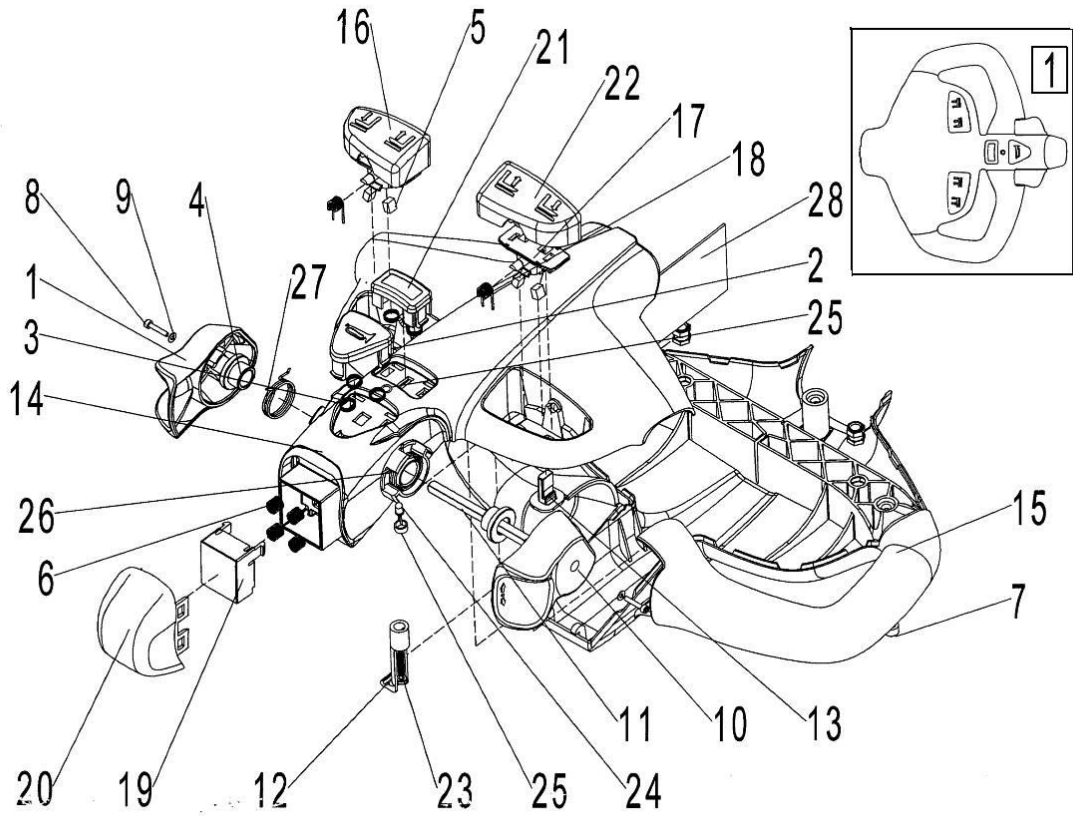


Fig. 29 Handle Components

No.	Art No.	New Art No.	Description	Qty.	Note
1	1010114001	505698520001	Left driving knob	1	
2	1000114015	505698520002	Horn	1	
3	1000131009	505698520003	Spring	5	
4	1000113004	505698520004	Sleeve	2	
5	1000137001	505698520005	Magnet	4	
6	1000131010	505698520006	Spring of emergent reverse button	4	
7	0000023058	505698520007	Screw	3	M6x10
8	0000023057	505698520008	Screw	2	M3x16
9	0000025017	505698520009	Flat pad	2	3
10	1010114003	505698520010	Right driving knob	1	
11	1000107002	505698520011	Driving knob Axle	1	
12	1000137002	505698520012	PCB clip	1	
13	1000134005	505698520013	Sensor	2	
14	1000103012	505698520014	Tiller	1	
15	1000103013	505698520015	Tiller	1	
16	1000114017	505698520016	Left button	1	
17	1000137003	505698520017	Magnet fixing base	2	
18	1000131011	505698520018	Torsional spring	2	
19	1000114018	505698520019	Emergent reverse button base	1	
20	1000114020	505698520020	Cover	1	
21	1000114021	505698520021	Cover	1	
22	1000114022	505698520022	Right button	1	
23	0000023060	505698520023	Screw	1	ST4.2x25
24	1000134006	505698520024	LED bi-color light	1	
25	1000103014	505698520025	LED bi-color light base	1	
26	1000131012	505698520026	Right driving knob torsional spring	1	
27	1000131013	505698520027	Left driving knob torsional spring	1	
28	1100135001	505698520028	PCB	1	

Fig.30 Hydraulic power unit (24V3.2KW4.0cc)

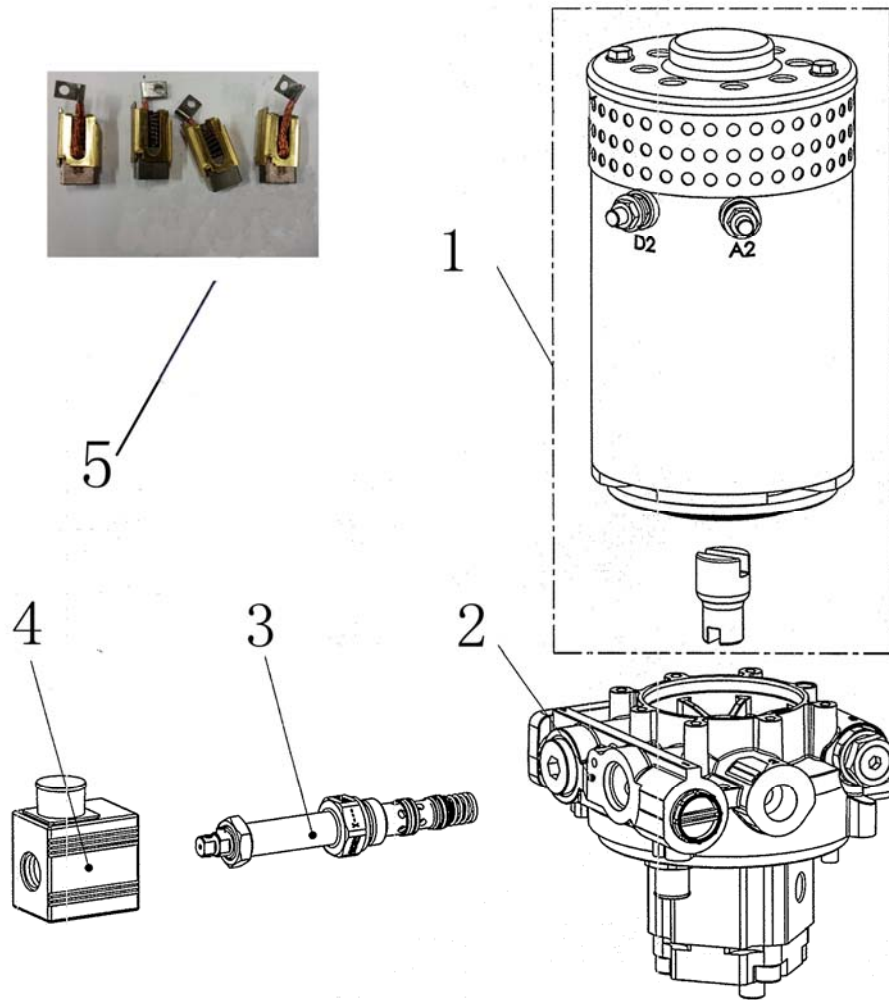


Fig.30 Hydraulic power unit (24V3.2KW4.0cc)

No.	Art No.	New Art No.	Description	Qty.	Note
1	9000015637	534798510006	Motor	1	3.2KW
2	9000015638	534798510007	Centre valve	1	
3	9000015639	534798520024	Solenoid valve core	1	
4	9000015640	534798520025	Coil	1	
5	9000017603	534798520026	Carbon brush	1	

Fig.31 Hydraulic power unit (24V1.5KW2.0cc)

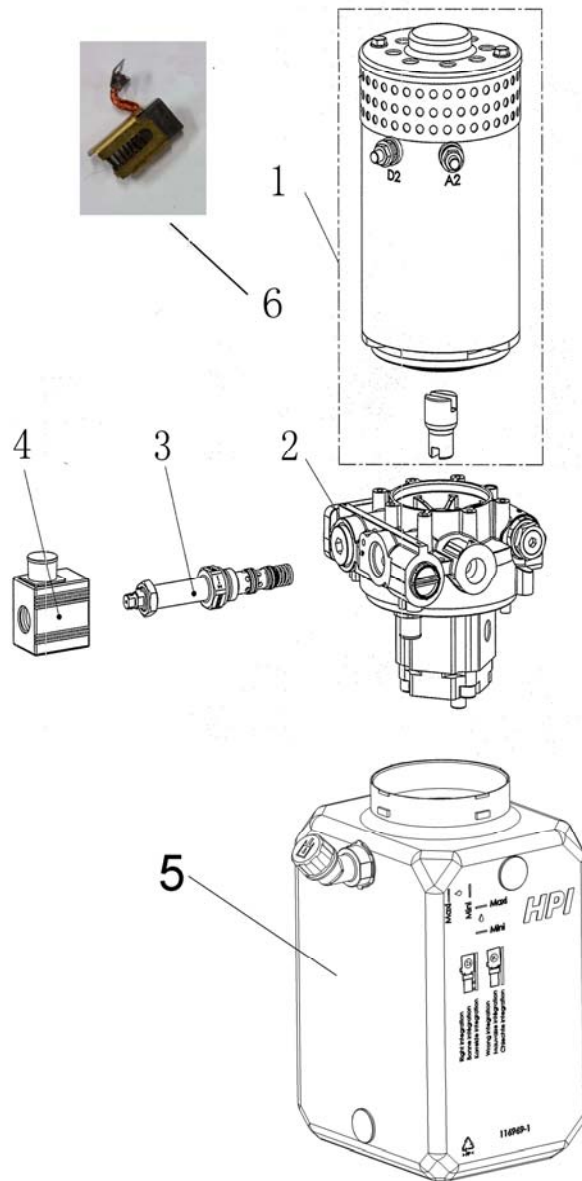


Fig.31 Hydraulic power unit (24V1.5KW2.0cc)

No.	Art No.	New Art No.	Description	Qty.	Note
1	9000015641	534498510003	Motor	1	1.5KW
2	9000015642	534498510004	Centre valve	1	
3	9000015643	534498510005	Solenoid valve core	1	
4	9000015644	534498510006	Coil	1	
5	9000016362	534498510007	Oil tank	1	
6	9000017602	534498510008	Carbon brush	1	

Fig.32 Main circuit harness

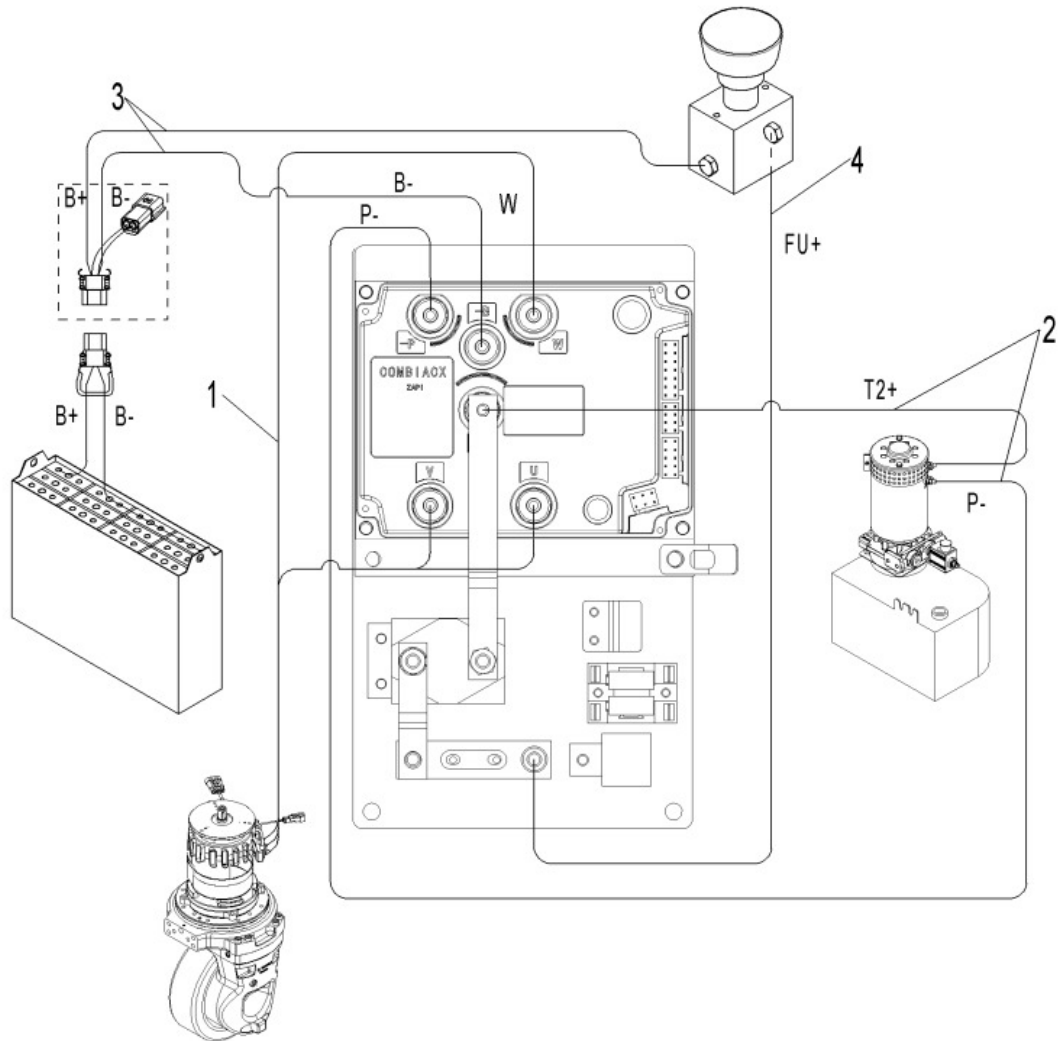


Fig.32 Main Circuit Harness

No.	Art No.	New Art No.	Description	Qty.	Note
1	9000010652	534733010003	Drive motor harness	1	
2	9000016346	534433010000	Pump motor harness	1	Two-stage mast
	9000010653	534733010006	Pump motor harness	1	Three-stage mast
3	9000010654	534733010008	Power harness	1	
4	9000010655	534733010009	Harness	1	FU+

Fig.33 Electrical general part

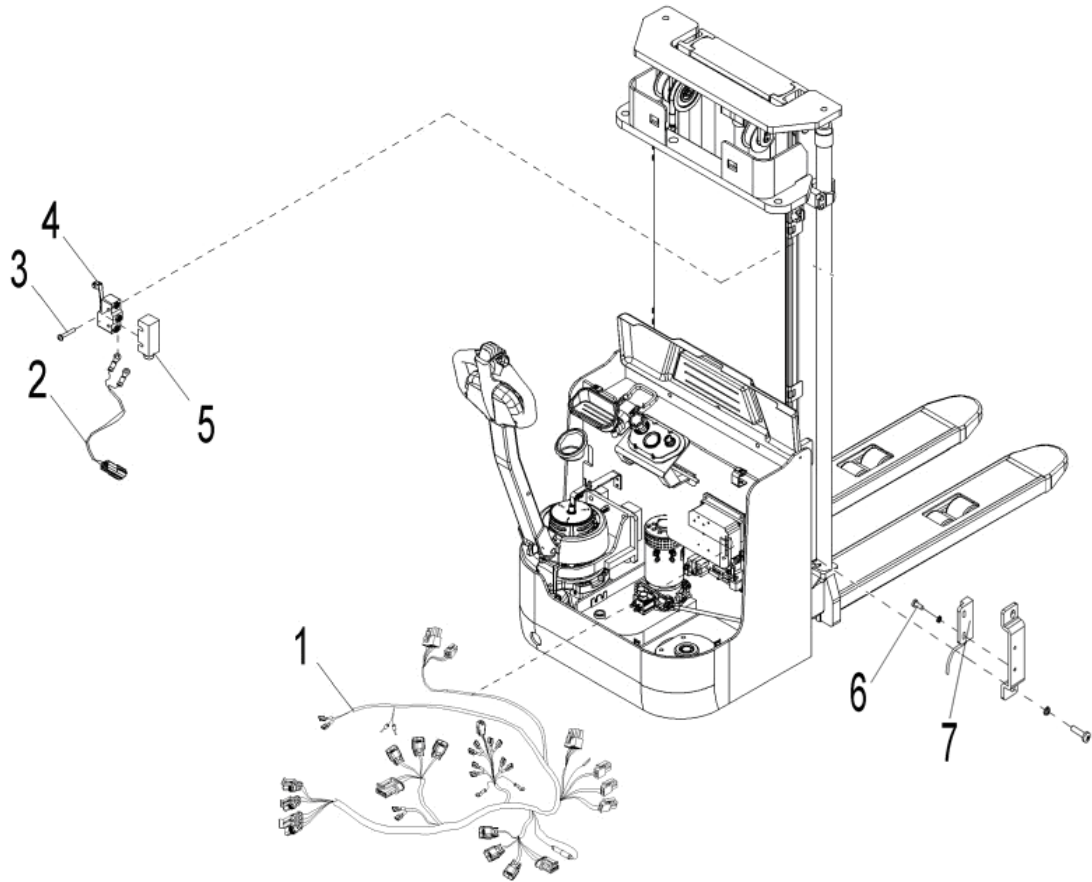


Fig.33 Electrical General Part

No.	Art No.	New Art No.	Description	Qty.	Note
1	9000010649	534733010000	Main control harness	1	
2		534733010016	Limit control harness(2000mm)	1	3600
		534733010013	Limit control harness(1800mm)	1	4600/3200
		534733010012	Limit control harness(1700mm)	1	4300
		534733010011	Limit control harness(1650mm)	1	2900
3	0000023033	910200200017	Screw	2	M4x25
4	2040634001	920200300001	Micro switch	1	XZ-15GW22-B
5	2040603002	920200300008	Micro switch protective cover	1	
6	0000023216	910200500010	Screw	3	M3x8
7		532633510004	Magnet switch(1500mm)	1	HWK23

Fig.34 Controller assembly

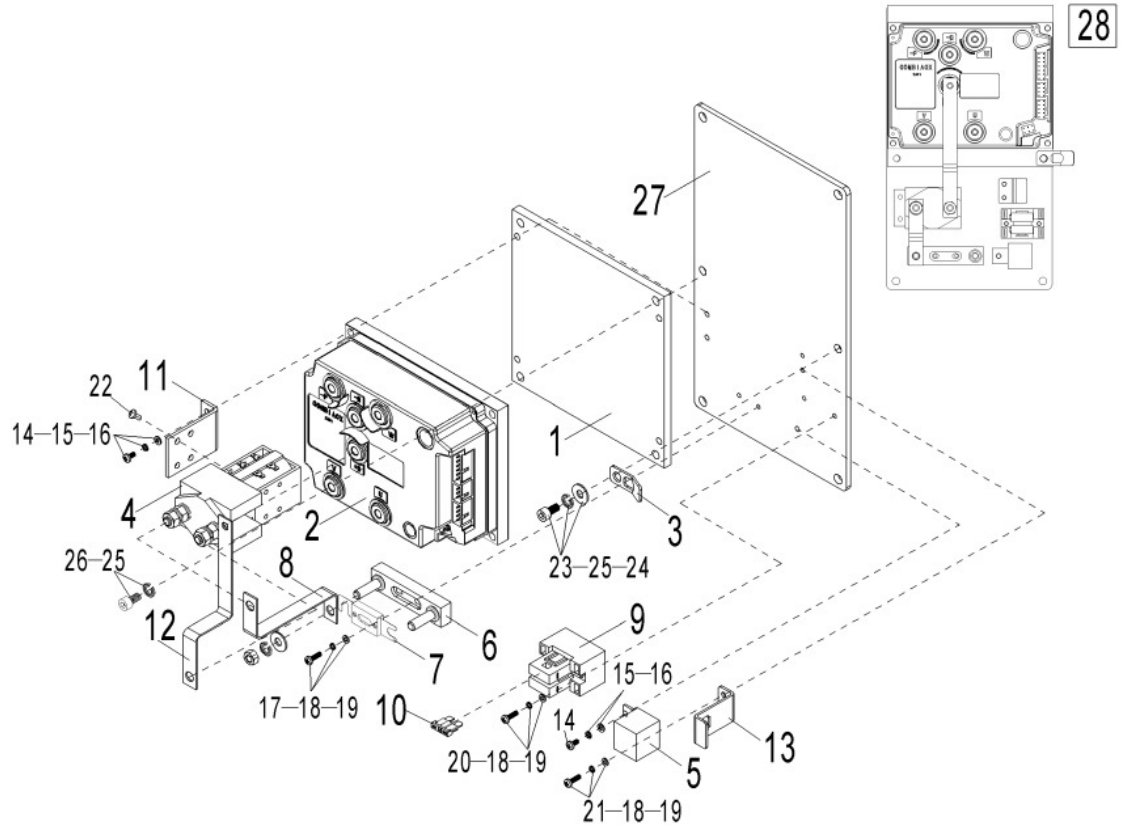


Fig.34 Controller Assembly

No.	Art No.	New Art No.	Description	Qty.	Note
1	9000010659	534733020000	Aluminium plate	1	
2	9000016047	921400100048	Controller	1	
3	9000009791	921300200012	Line hanging board	3	
4	2390434003	920700100002	Contactor	1	
5	1000434041	920800100001	Relay	1	
6	1000434007	920100400002	Fuse seat	1	SY Y
7	9000008635	920100100013	Fuse	1	350A
8	9000010657	534733020002	Copper bar	1	
9	9000008586	920100400005	Fuse base	1	2x10A
10	1000434040	920100200002	Plug fuse	2	10A
11	9000000002	921300400004	Contactor holder	1	
12	9000010656	534733020001	Copper bar	1	
13	9000007679	921300300001	Programmer plug-in holder	1	
14	0000023516	910200500037	Screw	3	M5x10
15	0000025015	910400500004	Washer	3	5
16	0000025014	910400100004	Washer	3	5
17	0000023211	910200500024	Screw	6	M4x16
18	0000025018	910400500003	Washer	6	4
19	0000025019	910400100003	Washer	6	4
20	0000023019	910200500028	Screw	2	M4x30
21	0000023307	910200500021	Screw	6	M4x10
22	0000023534	910200500036	Screw	2	M5x8
23	0000023166	910200200057	Screw	1	M8x20
24	0000025005	910400100006	Washer	1	8
25	0000025001	910400500006	Washer	2	8
26	0000023013	910200200055	Screw	2	M8x16
27	9000015362	534721520027	Controller fixing plate	1	
28	9000010658	534733010010	Controller assembly	1	COMBIACX

Fig.35 Load backrest

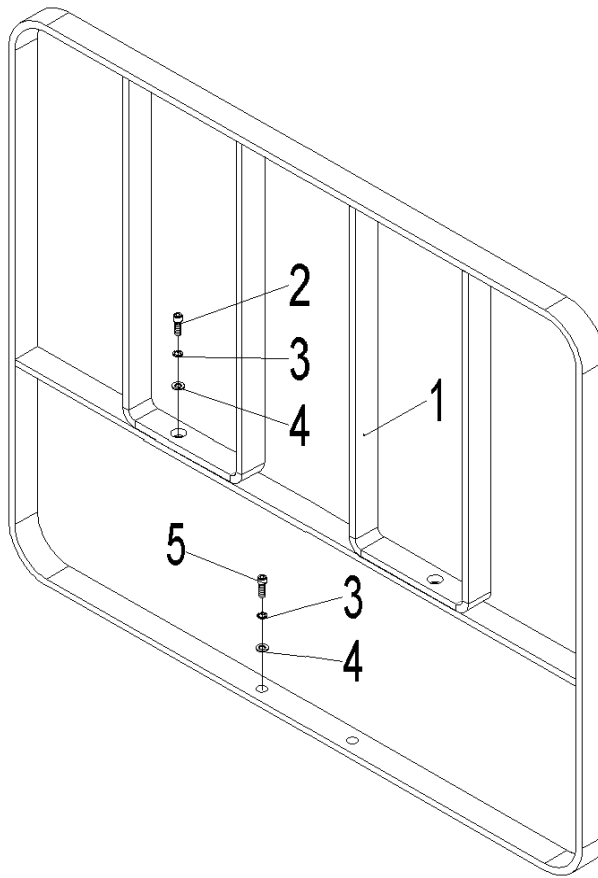


Fig.35 Load Backrest

No.	Art No.	New Art No.	Description	Qty.	Note
1	9000008259	532640510001	Load backrest	1	
2	0000023088	910200200076	Screw	2	M10x25
3	0000025002	910400100007	Washer	4	10
4	0000023006	910400500007	Washer	4	10
5	0000023029	910200200078	Screw	2	M10x35

Easy worn parts list

No.		Art No.	Description	Qty.	Fig./Position	Note
1	0000027013	910700400004	Bearing	2	Fig.9/3	Steering wheel assembly
2	0000027001	910700200019	Bearing	2	Fig.9/11	Steering wheel assembly
				8	Fig.27/5	Load wheel assembly
3	2210416001	940300300020	Rear wheel	1	Fig.9/12	Steering wheel assembly
4	9000015656	534798520004	Dust ring	1	Fig.20/2	Three-stage Mast outer Cylinder Assembly (full free lift)
5	9000015657	534798520005	Seal ring	1	Fig.20/3	
6	9000015658	534798520006	Seal ring	1	Fig.20/4	
7	9000015673	534798510000	Outer cylinder seal assembly	1	Fig.20/□	
8	9000015662	534798520042	Dust ring	1	Fig.21/2	Three-stage Mast middle Cylinder Assembly (full free lift)
9	9000015663	534798520063	Stop collar	1	Fig.21/3	
10	9000010181	534798520064	Seal ring	2	Fig.21/4	
11	9000015664	534498520021	O ring	1	Fig.21/6	
12	9000015665	534798520066	Stop collar	1	Fig.21/7	
13	9000015666	534798520067	Supporting ring	1	Fig.21/8	
14	9000015667	534798520072	Supporting ring	1	Fig.21/13	
15	9000015674	534798510001	Middle cylinder seal assembly	1	Fig.21/□	
16	9000016336	534498520000	Dust ring	1	Fig.22/1	Two-stage Mast outer Cylinder Assembly (full free lift)
17	9000016337	534498520001	Seal ring	1	Fig.22/2	
18	9000016338	534498520002	Seal ring	1	Fig.22/3	
19	9000016339	534498520003	Supporting ring	1	Fig.22/4	
20	9000015660	910800100093	O ring	1	Fig.20/7	Three-stage Mast outer Cylinder Assembly (full free lift)
				1	Fig.22/6	Two-stage Mast outer Cylinder Assembly (full free lift)
				1	Fig.24/6	Two-stage Mast outer Cylinder Assembly (standard lift)

21	9000015661	533298520004	Supporting ring	1	Fig.20/12	Three-stage Mast outer Cylinder Assembly (full free lift)
				1	Fig.22/13	Two-stage Mast outer Cylinder Assembly (full free lift)
				1	Fig.24/12	Two-stage Mast outer Cylinder Assembly (standard lift)
22	9000016335	534498510000	Outer cylinder seal assembly	1	Fig.22/11	Two-stage Mast outer Cylinder Assembly (full free lift)
23	9000010701	504498520000	Dust ring	1	Fig.23/2	Two-stage Mast middle Cylinder Assembly (full free lift)
24	9000016340	534498520019	Stop collar	1	Fig.23/3	
25	9000010700	504498520001	Y seal ring	1	Fig.23/4	
26	9000015664	534498520021	O ring	1	Fig.23/6	
27	9000016341	534498520022	Stop collar	1	Fig.23/7	
28	9000015667	534798520072	Supporting ring	1	Fig.23/13	
29	9000016343	534498510001	Middle cylinder seal assembly	1	Fig.23/11	
30	9000009075	534498520026	Dust ring	1	Fig.24/1	Two-stage Mast outer Cylinder Assembly (standard lift)
31	9000009079	534498520027	Seal ring	1	Fig.24/2	
32	9000008953	534498520028	Seal ring	1	Fig.24/3	
33	9000016344	534498520029	Supporting ring	1	Fig.24/4	
34	9000016345	534498510002	Outer cylinder seal assembly	1	Fig.24/11	
35	1000507011	940300300009	Load wheel	4	Fig.27/6	Load Wheel Assembly
36	9000010728	532917001000	Load wheel assembly	4	Fig.27/10	
37	9000008329	505633510002	Interlock switch	2	Fig.28/7	Handle Assembly
38	9000011289	940400100011	Air spring	1	Fig.28/10	
39	2040634001	920200300001	Micro switch	1	Fig.33/4	Electrical general Part
40		532633510004	Magnet switch	2	Fig.33/7	
41	9000008635	920100100013	Fuse	1	Fig.34/7	Controller Assembly
42	1000434040	920100200002	Plug fuse	1	Fig.34/10	