

NOBLELIFT

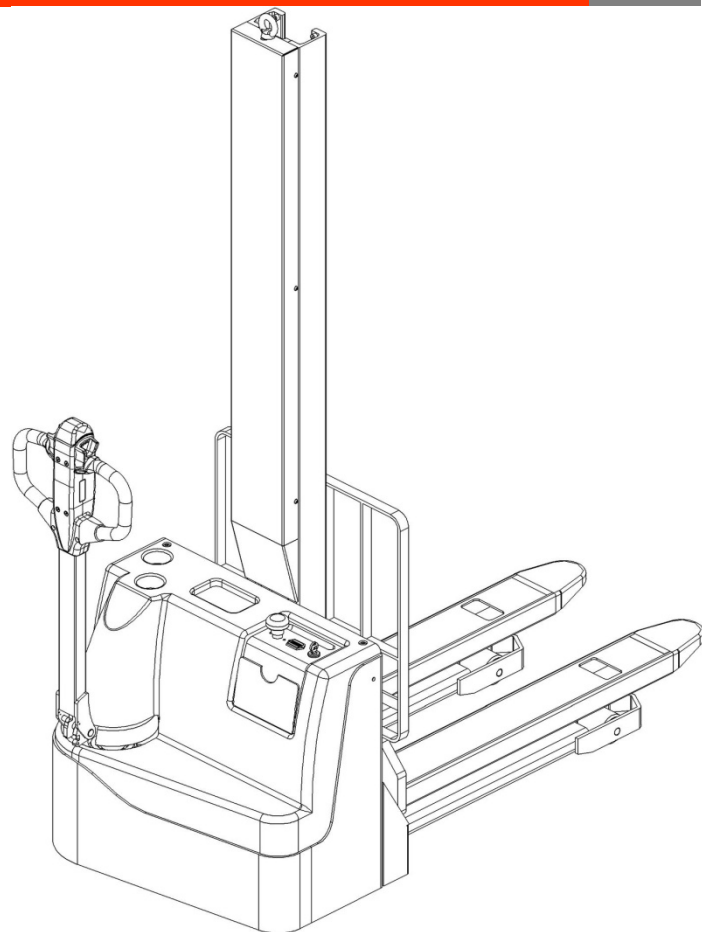


扫一扫，
获得更多资讯

咨询热线：4008-836115

SPARE PARTS LIST

Electric Stacker PSE10M



Version 06/2018

From truck identification number:

PSE10M-BPT-003-EN

Catalogue

FIG. 1 OUTER APPEARANCE	1
FIG. 2 FORK CARRIAGE	3
FIG. 3 ROLLER	4
FIG. 4 LOAD ROLLER	6
FIG. 5 ELECTRICAL CONTROL COMPONENTS.....	7
FIG. 6 MAIN CABLE.....	9
FIG. 7 ELECTRICAL PARTS	10
FIG. 8 HYDRAULIC SYSTEM.....	13
FIG. 9 CYLINDER COMPONENTS.....	15
FIG. 10 PUMP STATION	16
FIG. 11 DRIVE SYSTEM	17
FIG. 12 INSTRUMENT COMPONENTS	19
FIG. 13 TILLER ARM.....	21
FIG. 14 ECONOMIC TILLER HEAD	23
FIG. 15 DRIVE WHEEL	25
FIG. 16 LOAD BACKREST	26
FIG.17 STICKER (EU).....	27
FIG.18 STICKER (US).....	28
EASY WORN PARTS LIST.....	29

Fig. 1 Outer appearance

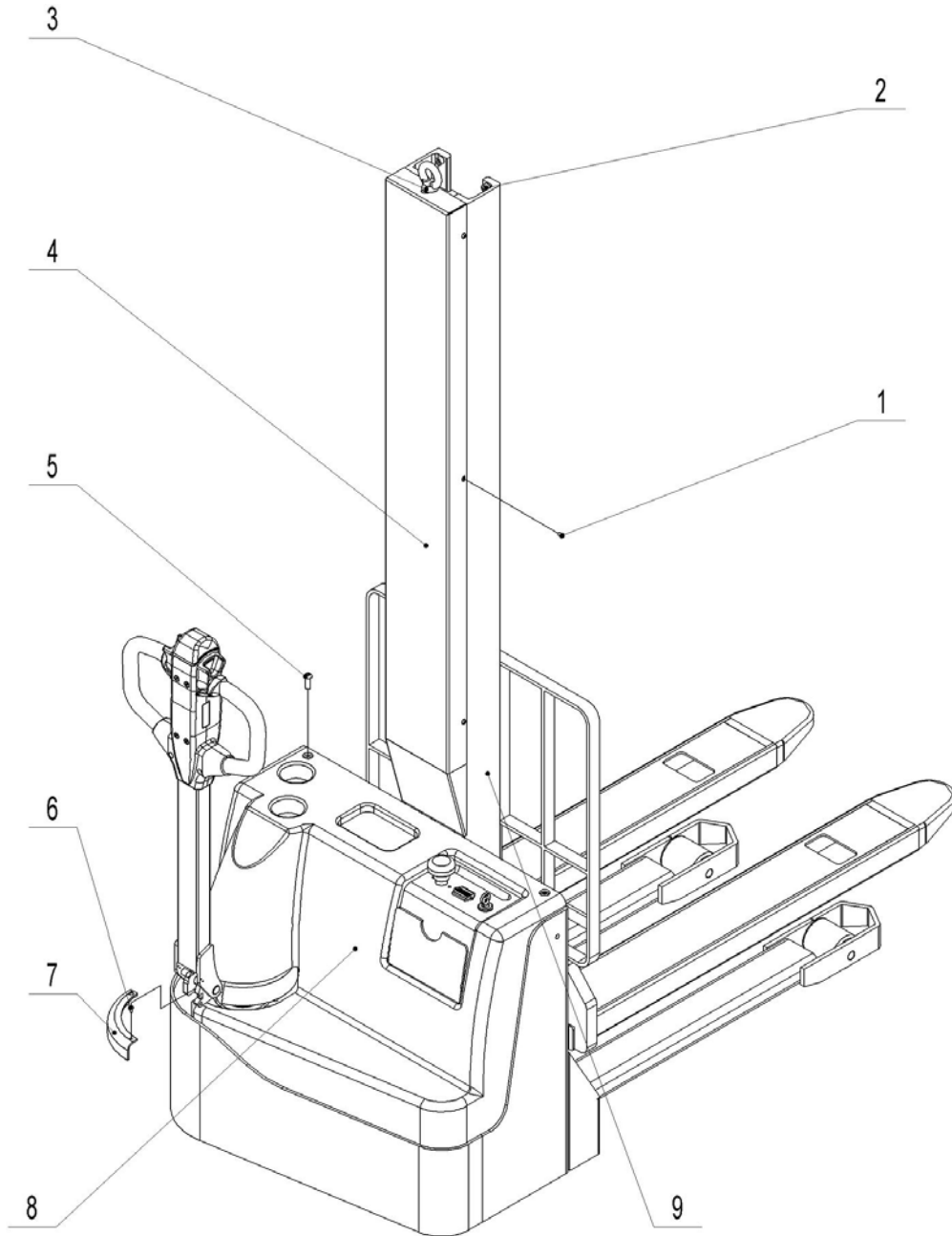


Fig. 1 Outer Appearance

No.	Art No.	Description	Qty.	Note
1	910200300016	Screw	6	M6x10
2	910200200074	Screw	2	M10x16
3	910201700003	Screw	1	M16

4	532421520000	Protective cover (mast)	1	2000
	532421520013			1600
	532421520015			800
5	941100100004	Screw	2	M10x30
6	910200300011	Screw	2	M5x10
7	532021520059	Plate	1	
8	532021520046	Protective cover	1	
9	532421510000	Chassis welding	1	2000
	532421510001			1600
	532421510004			800

Fig. 2 Fork carriage

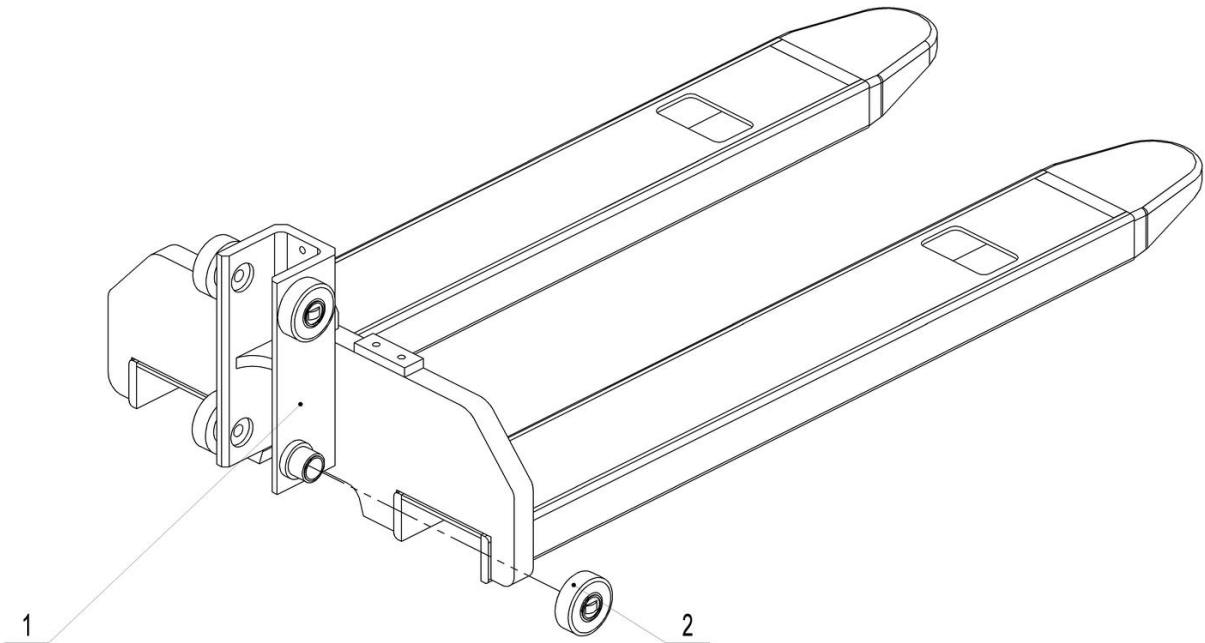


Fig. 2 Fork Carriage

No.	Art No.	Description	Qty.	Note
1	532438010000	Fork carriage welding	1	
2	940200300001	Compound roller	4	

Fig. 3 Roller

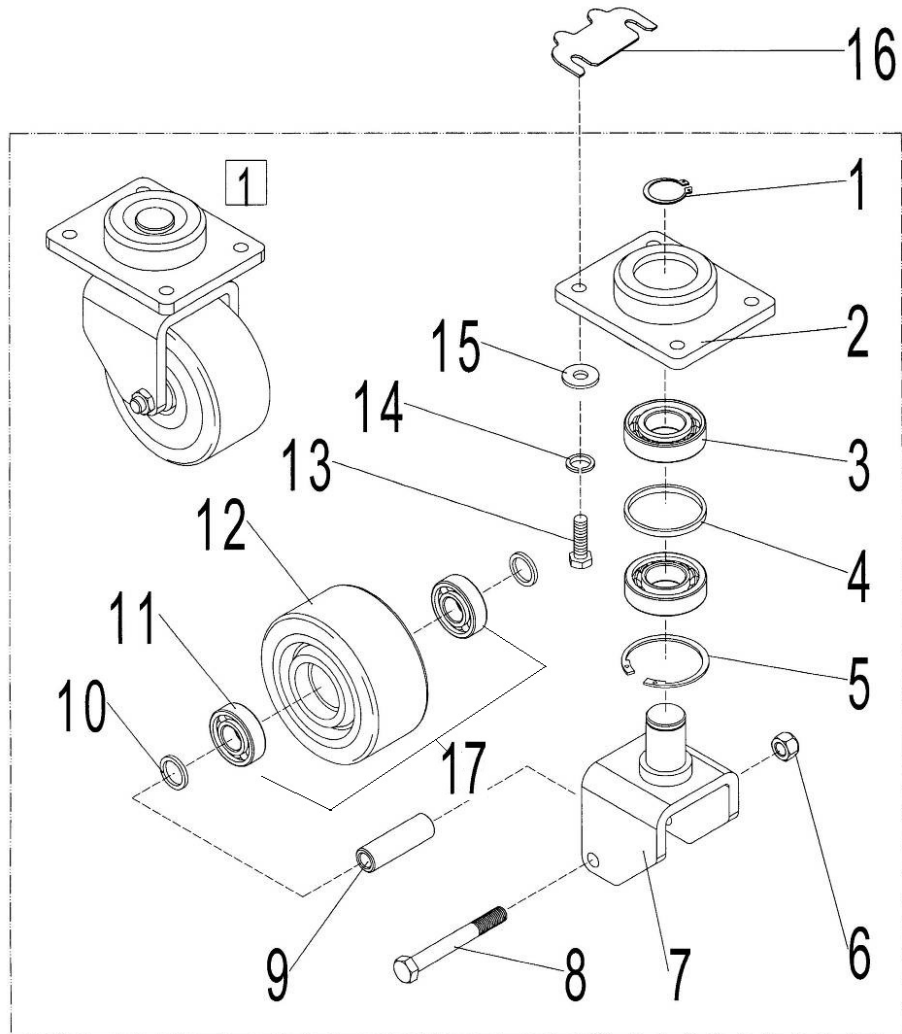


Fig. 3 Roller

No.	Art No.	Description	Qty.	Note
1	910401300016	Circlip	1	30
2	532616520002	Bearing base	1	
3	910700400004	Bearing	2	7206C-2RS
4	532616520001	Circlip	1	
5	910401400018	Circlip	1	62
6	910300500007	Nut	1	M14
7	532616510001	Rear roller frame welding	1	
8	910100100069	Bolt	1	M14x100
9	532616520003	Bushing	1	

10	940600500014	Washer	2	
11	910700200019	Bearing	2	6204-2RS
12	940300300019	Roller	1	
13	910200200078	Screw	4	M10x35
14	910400500007	Washer	4	10
15	910400100007	Washer	4	10
16	532021520061	Adjusting washer	4	
17	532698510004	Roller components	1	With bearing
□	532616510000	Roller assembly		

Fig. 4 Load roller

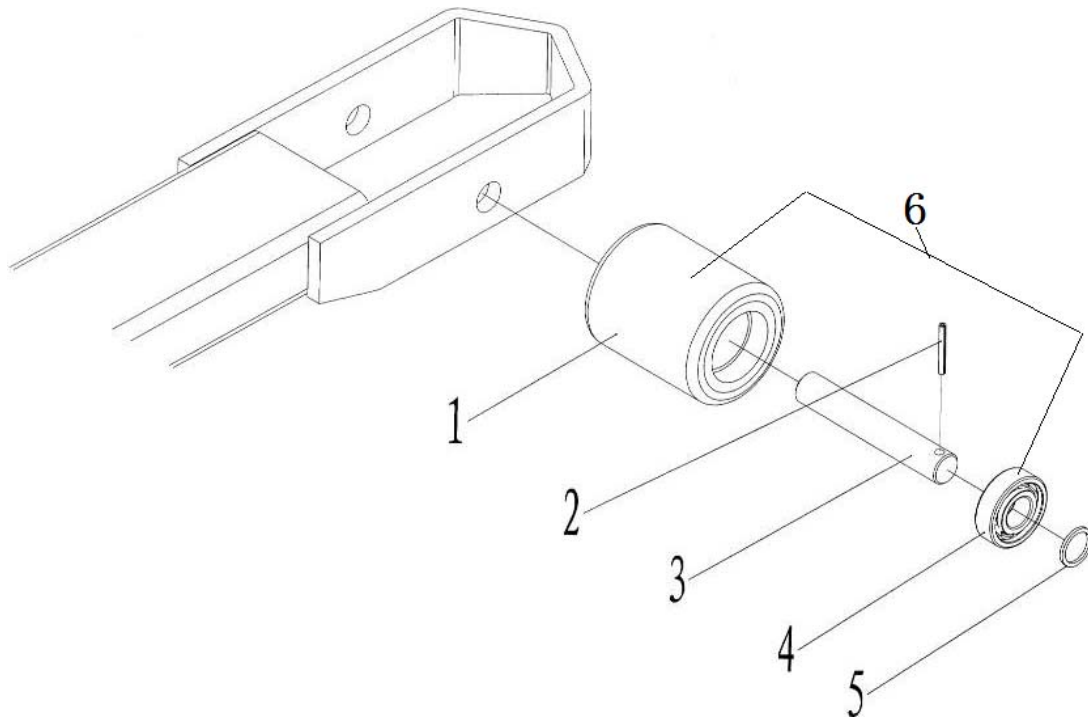


Fig. 4 Load Roller

No.	Art No.	Description	Qty.	Note
1	940300300023	Roller	1	
2	910600400028	Dowel pin	2	5x40
3	565917020001	Axle	1	
4	910700200019	Bearing	2	6204-2RS
5	940600500014	Washer	2	
6	532098510009	Roller components	1	With bearing

Fig. 5 Electrical control components

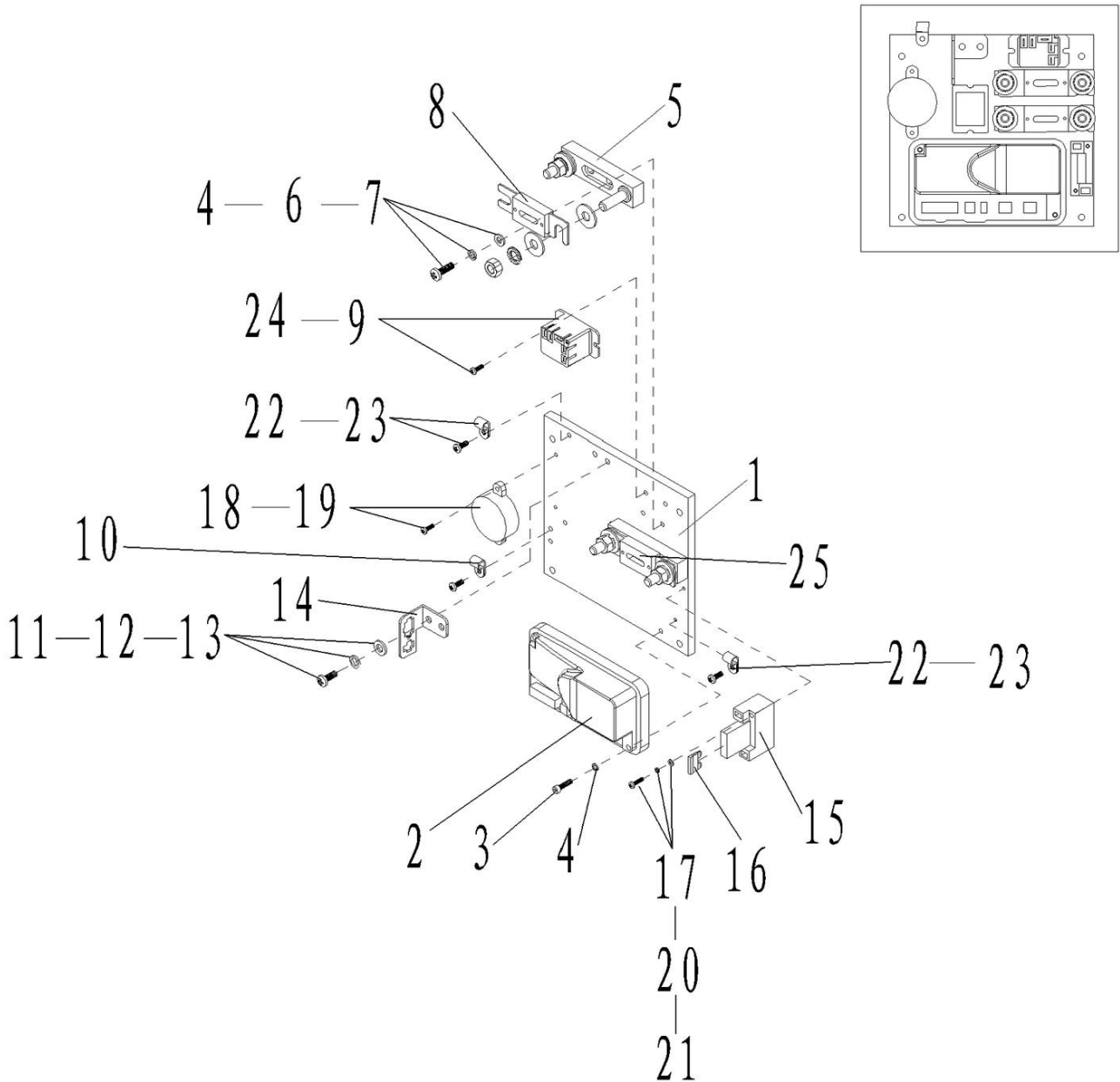


Fig. 5 Electrical control components

No.	Art No.	Description	Qty.	Note
1	502333020001	Aluminium plate	1	
2	921400100001	controller	1	
3	910200200017	Screw	2	M4x25
4	910400500003	Washer	8	4
5	920100400002	Fuse seat	2	
6	910400100003	Washer	6	4

7	910200500024	Screw	2	M4x16
8	920100100005	Fuse	1	
9	910200500034	Screw	2	M4x8
10	921300200004	Cable buckle	2	
11	910200500037	Screw	2	M5x10
12	910400100004	Washer	2	5
13	910400500004	Washer	2	5
14	921300300004	Plug holder	1	
15	920100400006	Fuse seat	1	
16	920100200002	Fuse	1	
17	910200500017	Screw	2	M3x30
18	502333010025	Buzzer	1	
19	910200500010	Screw	2	M3x8
20	910400500002	Washer	2	3
21	910400100002	Washer	2	3
22	921300200002	Cable buckle	2	
23	910200500021	Screw	4	M4x10
24	920800100003	Relay	1	
25	920100100003	Fuse	1	

Fig. 6 Main cable

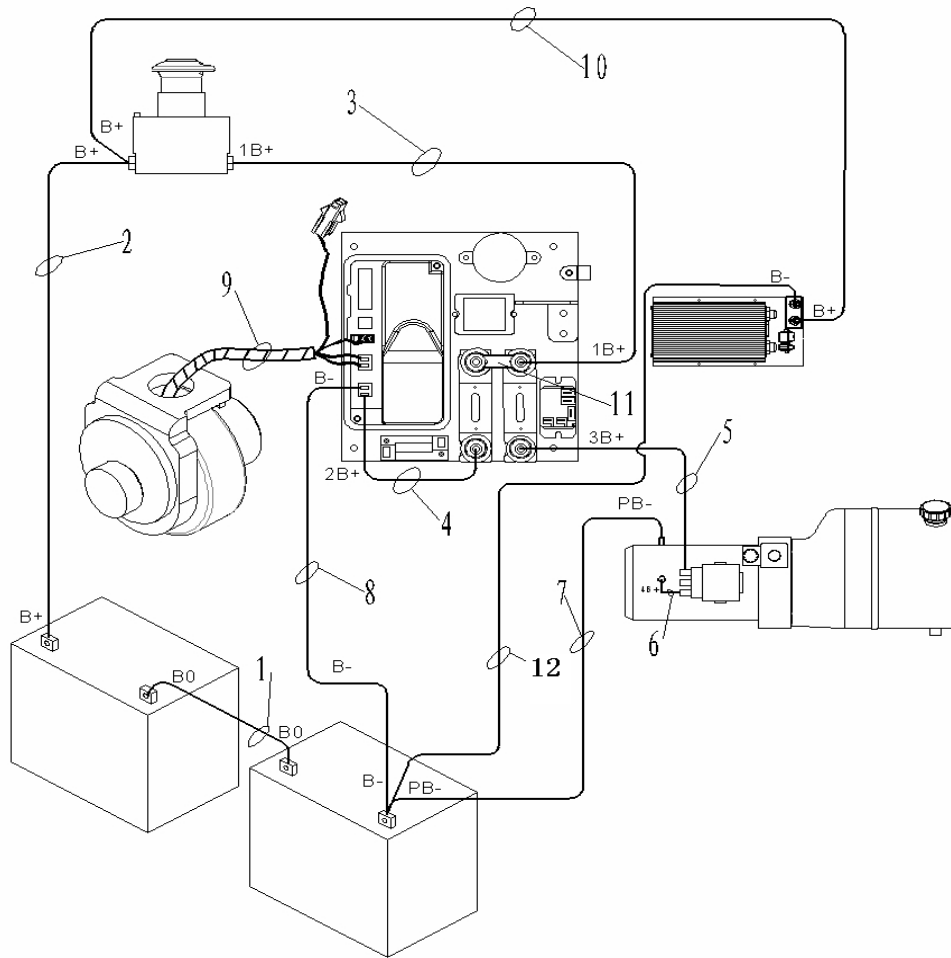


Fig. 6 Main cable

No.	Art No.	Description	Qty.	Note
1	532033010013	Cable -B0-16-6-6-390	1	
2	532033010014	Cable -B+-16-6-8-700	1	
3	532033010015	Cable -1B+-16-8-8-260	1	
4	532033010016	Connecting cable -2B+-6-6.3-8-300	1	
5	532033010017	Cable -3B+-16-8-8-1200	1	
6	532033010018	Cable -4B+-16-8-8-120	1	
7	532033010019	Cable -PB--16-6-8-950	1	
8	532033010020	Connecting cable -B--6-6-6.3-810	1	
9	532033010030	Drive wheel cable assembly	1	
10	532033010021	Connecting cable -B+-2.5-6-8-1050	1	
11	505633020003	Copper bar	1	
12	532033010022	Connecting cable -B--2.5-6-8-1130	1	

Fig. 7 Electrical parts

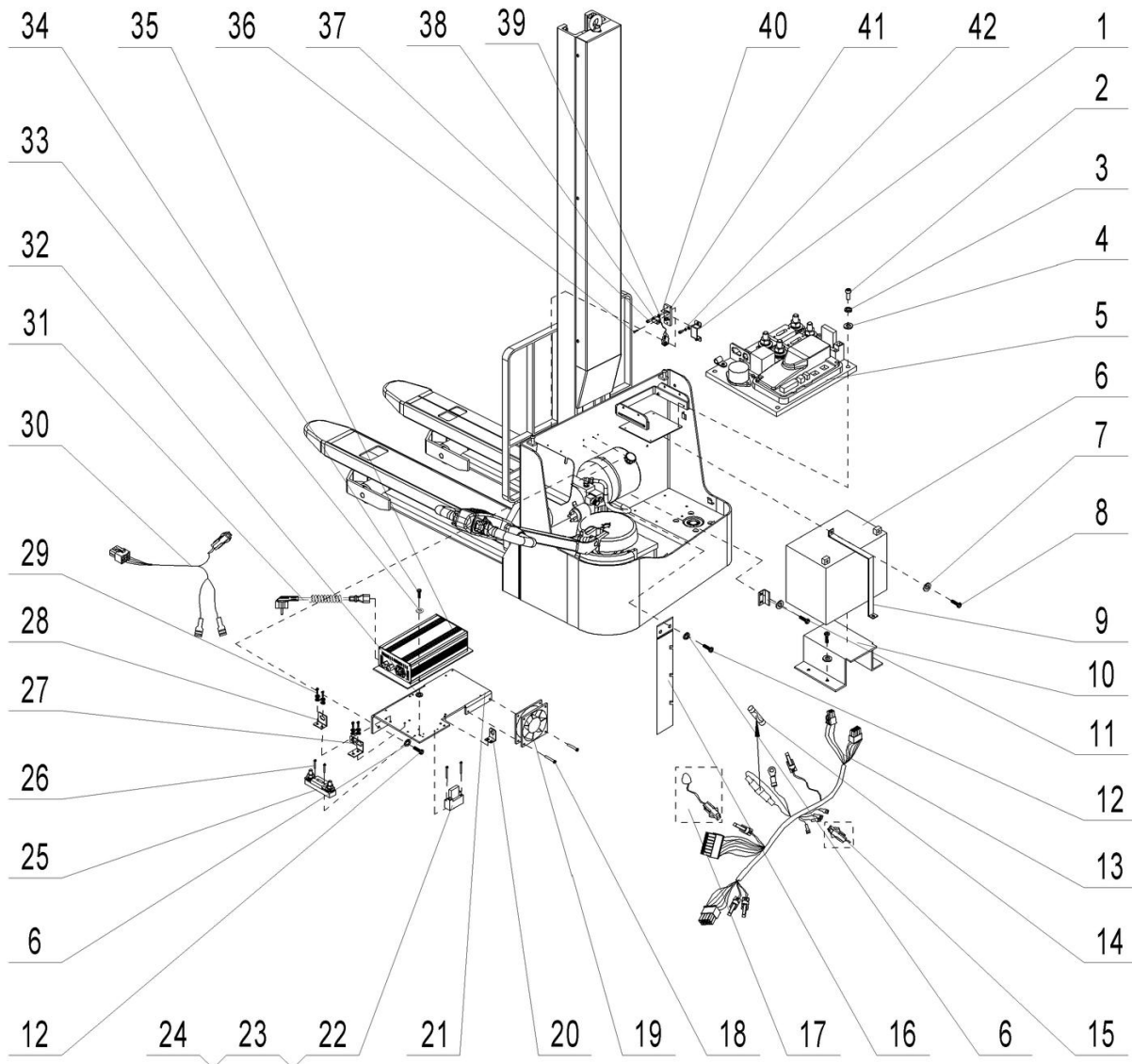


Fig. 7 Electrical Parts

No.	Art No.	Description	Qty.	Note
1	532421520001	Protective cover (Proximity switch)	1	
2	910200200023	Screw	6	M5x16
3	910400500004	Washer	18	5
4	910400100004	Washer	12	5
5	532033010024	Electrical control components	1	
6	920600100001	Battery 12V85Ah5HR	2	Option
	920600100002	Battery 12V106Ah5HR	2	
7	910400100006	Washer	8	8
8	910200200053	Screw	8	M8x12
9	532021520055	Battery holder	1	
10	532021520051	Battery fixation base	1	With 106Ah battery
11	532021520056	Holder	2	
12	910200200022	Screw	6	M5X12
13	532033010026	Control cable	1	
14	920100300001	Fuse tube	1	
15	532433010000	Limit switch cable	1	
16	532021520060	Holder	1	
17	502333010017	LED fault display	1	
18	910200500028	Screw	2	M4x30
19	502336510008	Fan	1	
20	921300300002	Plug holder	1	
21	532036520000	Charger holder	1	
22	920100400006	Fuse seat	1	
23	920100200001	Fuse	1	
24	910200500017	Screw	2	M3x30
25	920100400002	Fuse seat	1	
26	910200500024	Screw	2	M4x16
27	921300300004	Plug holder	1	
28	504121520021	Plug holder	1	
29	910200500037	Screw	6	M5x10
30	532033010003	Fan connecting cable	1	
31	921500200003	Plug 3*0.75(AUS)	1	Option
	921500200004	Plug 3*0.75(UK)	1	
	921500200005	Plug 3*0.75(EU)	1	
	921500200006	Plug 3*0.75(ITY)	1	
	921500200007	Plug 3*0.75(SWISS)	1	

	921500200002	Plug 3*0.75(US)	1	
	921500200008	Plug 3*0.75(ASIA)	1	
32	950100200001	Rubber sealing pad	1	11.5x7.5x3
33	910400100003	Flat washer	4	4
34	910200200014	Screw	4	M4X12
35	921000100003	Charger	1	
36	910200200005	Screw	2	M3x20
37	910200200033	Screw	2	M6x12
38	910400500005	Washer	4	6
39	910400100005	Washer	4	6
40	532011010004	Proximity switch	1	
41	532421520003	Mounting plate 2	1	
42	910200200035	Screw	2	M6x16

Fig. 8 Hydraulic system

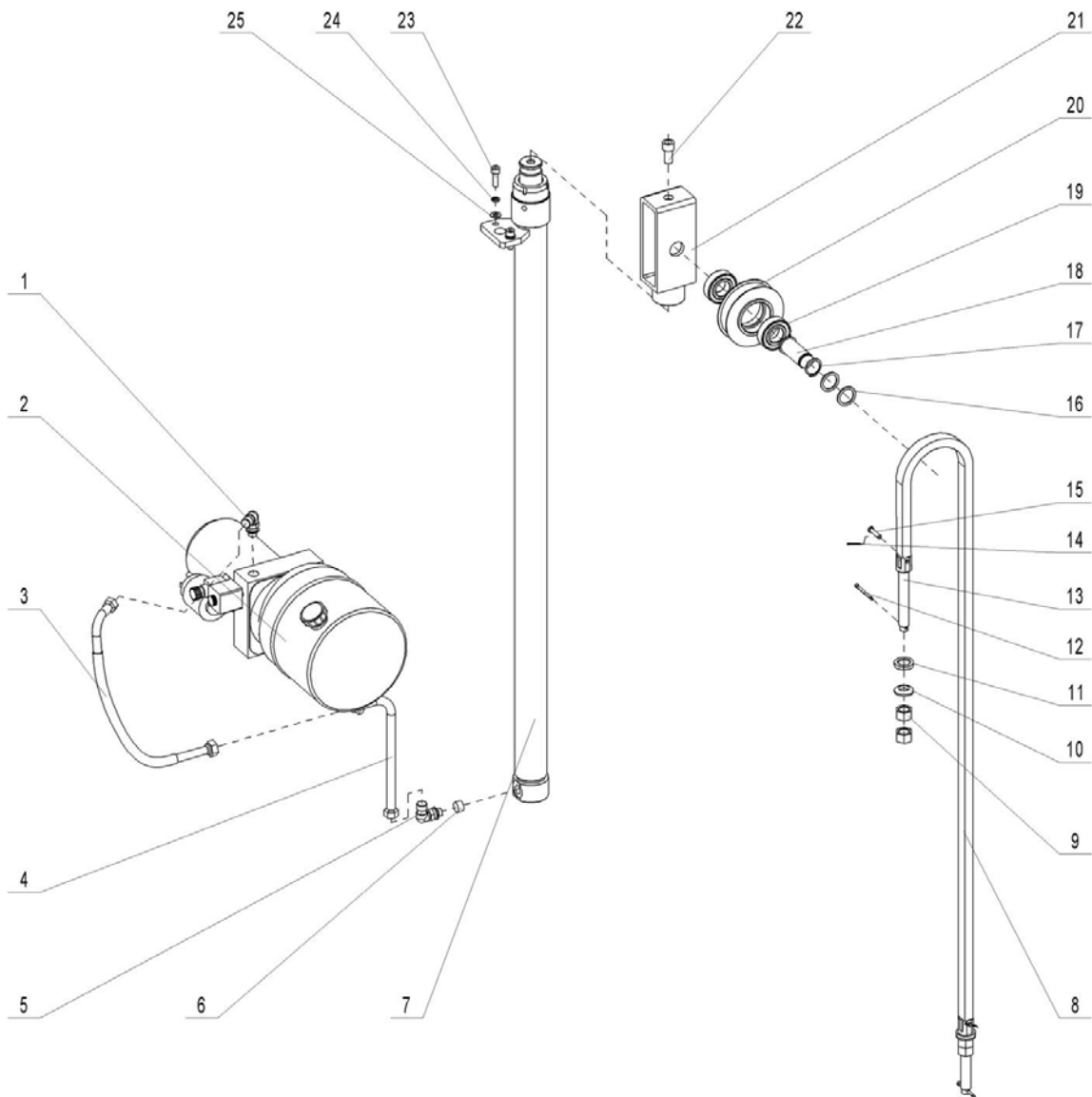


Fig. 8 Hydraulic system

No.	Art No.	Description	Qty.	Note
1	950401100008	Joint	1	G3/8-M16x1.5-24°
2	950900100022	Hydraulic power unit	1	
3	532424010001	Hydraulic pipe assembly (90°)	1	
4	532424010000	Hydraulic steel pipe welding	1	
5	950401100007	Joint	1	2xM16x1.5-24°
6	950600300001	Safety valve	1	M16x1.5

7	532421510002	Cylinder	1	2000
	532421510003	Cylinder		1600
	532421510005	Cylinder		800
8	532344510004	Lifting chain	1	2000
	532344510009	Lifting chain		1600
	561145010005	Lifting chain		800
9	910300200008	Nut	4	M16x1.5
10	910400600003	Washer	2	16
11	910400700003	Washer	2	16
12	910600600037	Split pin	2	4x40
13	941300100005	Chain bolt	2	
14	910600600015	Split pin	2	2x20
15	910600700015	Short axle	2	B6x28x1.6
16	940600500006	Washer	2	
17	910401300014	Circlip	1	25
18	532343020023	Short axle	1	
19	910700200020	Bearing	2	6205-2RS
20	940200400005	Chain wheel	1	
21	532343020021	Chain wheel frame	1	
22	910200200097	Screw	1	M12x25
23	910200200058	Screw	2	M8x25
24	910400500006	Washer	2	8
25	910400100006	Washer	2	8

Fig. 9 Cylinder components

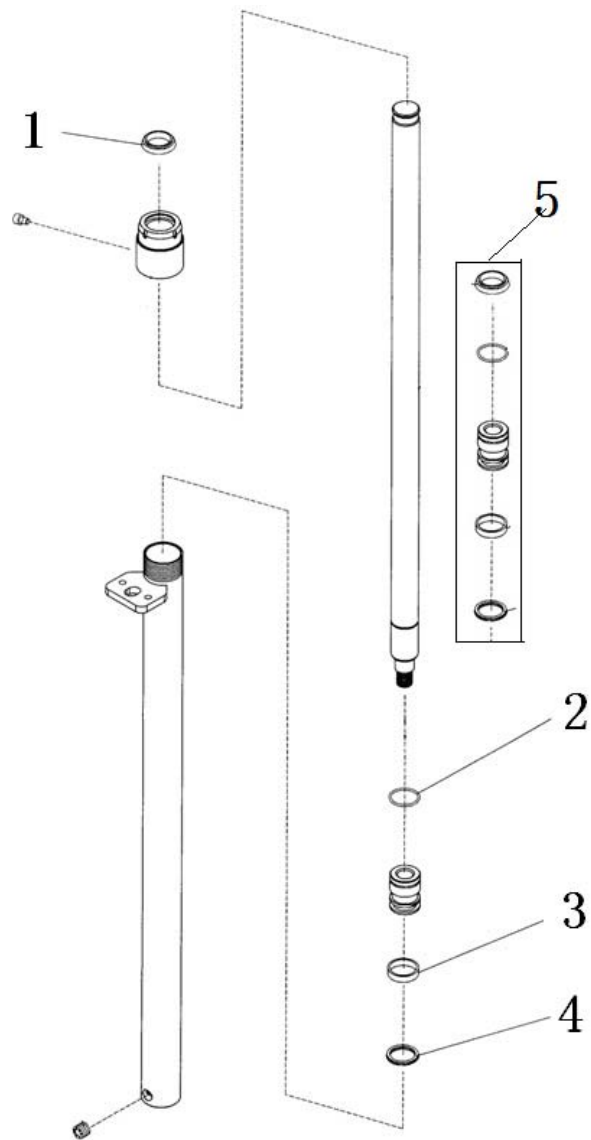


Fig. 9 Cylinder Components

No.	Art No.	Description	Qty.	Note
1	532498520003	Dust ring	1	35x43x5/6.5
2	532498520000	O ring	1	Inner 34.4x3.1
3	532498510000	Support ring	1	36x40x15
4	532498520004	Y seal ring	1	30x40x6/7
5	532498501016	Sealing kits	1	

Fig. 10 Pump station

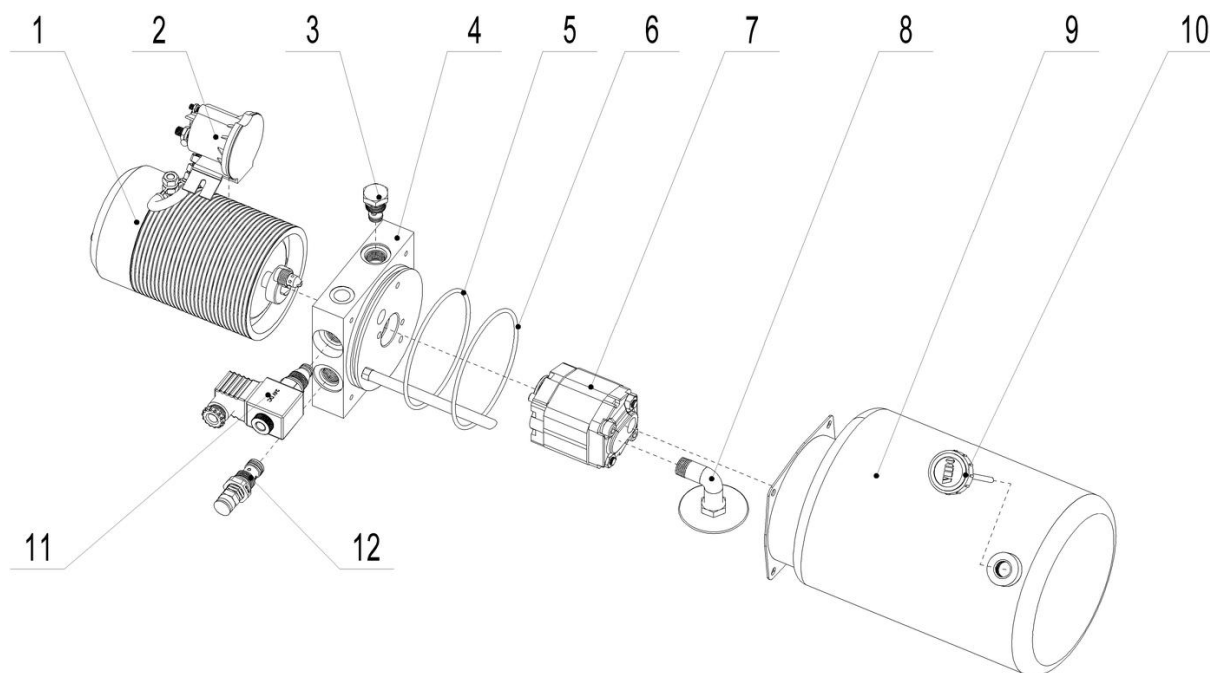


Fig. 10 Pump Station

No.	Art No.	Description	Qty.	Note
1	532098510001	Motor	1	
2	532098510002	Turn on switch	1	
3	532098510003	Check valve	1	
4	532098510004	Valve block	1	
5	532098520001	O ring	1	
6	532098520002	O ring	1	
7	532098510000	Gear pump	1	
8	532098520003	Oil suction hose	1	
9	532098520004	Oil tank	1	
10	532098510005	Oil tank cover	1	
11	532098510006	Electromagnetic valve	1	
12	532098510007	Overflow valve	1	

Fig. 11 Drive system

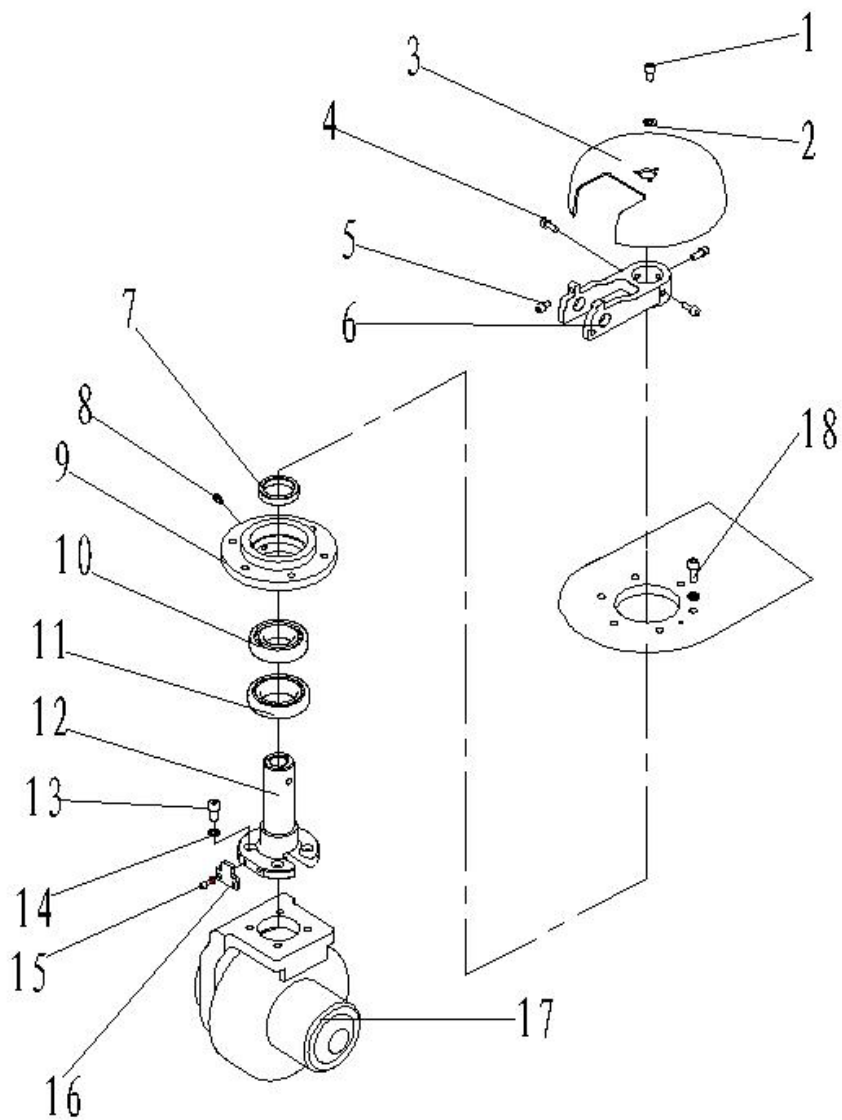


Fig. 11 Drive system

No.	Art No.	Description	Qty.	Note
1	910200200012	Screw	3	M4x8
2	910400100003	Washer	3	4
3	532013520005	Protective cover	1	Drive wheel
4	910200200057	Screw	3	M8x20
5	910200200053	Screw	1	M8x12
6	532013520003	Tiller base	1	
7	532013520004	Bushing	1	
8	910200200032	Screw	4	M6x10

9	532013520000	Bearing base	1	
10	910700200024	Bearing	1	6209-2RS
11	910700600019	Bearing	1	32011
12	532013520001	Linking flange	1	
13	910200200075	Screw	4	M10x20
14	910400500007	Washer	10	10
15	910400500005	Washer	4	6
16	532013520002	Locating block	1	
17	940900100001	Drive assembly	1	
18	910200200076	Screw	6	M10x25

Fig. 12 Instrument components

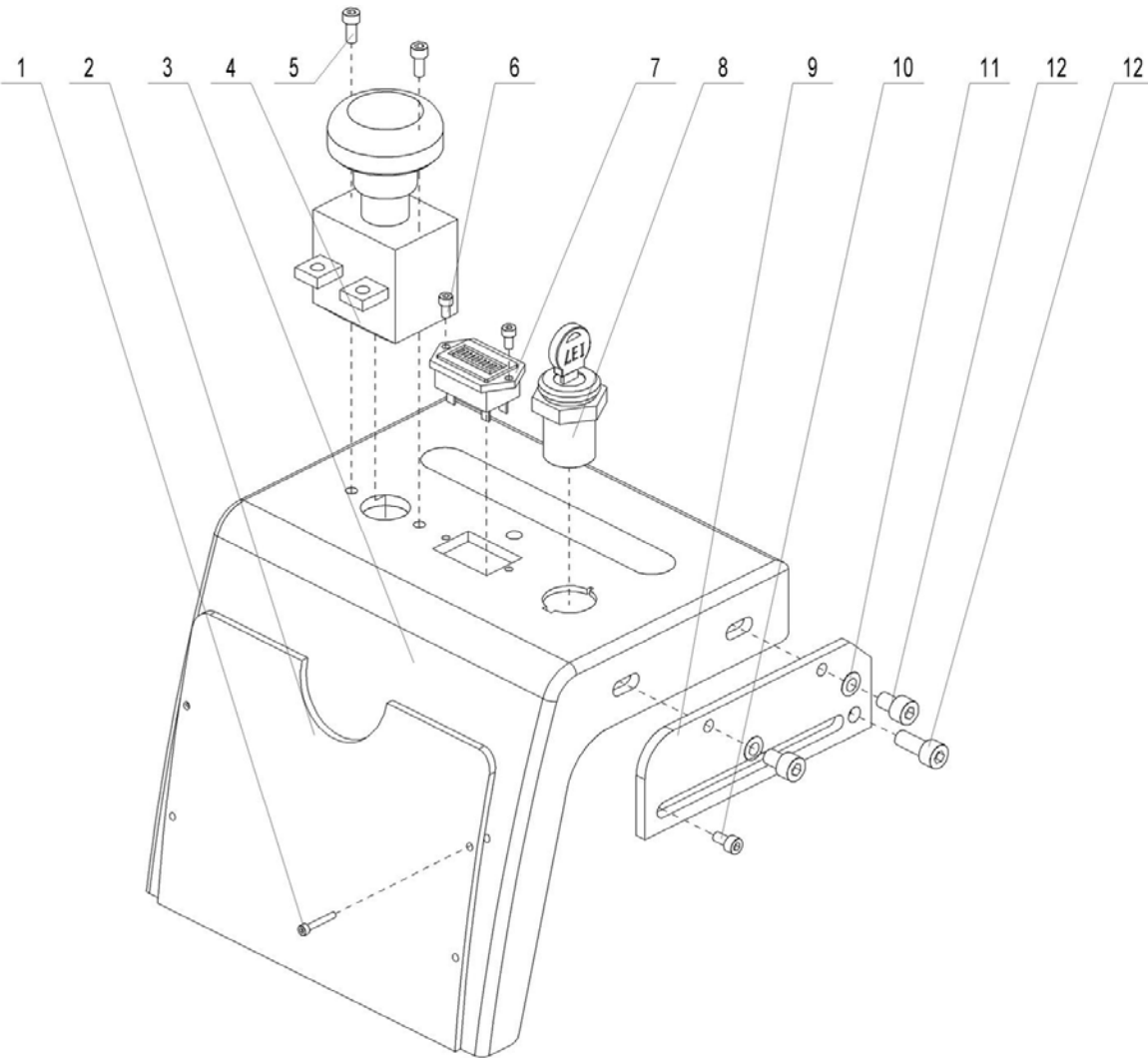


Fig. 12 Instrument components

No.	Art No.	Description	Qty.	Note
1	910300100002	Nut	4	M3
	910200200005	Screw	4	M3x20
2	532010020001	File holder	1	
3	532010020000	Panel	1	
4	920200100004	Emergency button	1	
5	910200400011	Screw	2	M5x12
6	910200300005	Screw	2	M4x8
7	921100100007	Indicator	1	
8	506534010000	Key switch	1	
9	532421520002	Mounting plate	2	Indicator
10	910200200021	Screw	2	M5x10
11	910400100006	Washer	4	8
12	910200200053	Screw	5	M8x12

Fig. 13 Tiller arm

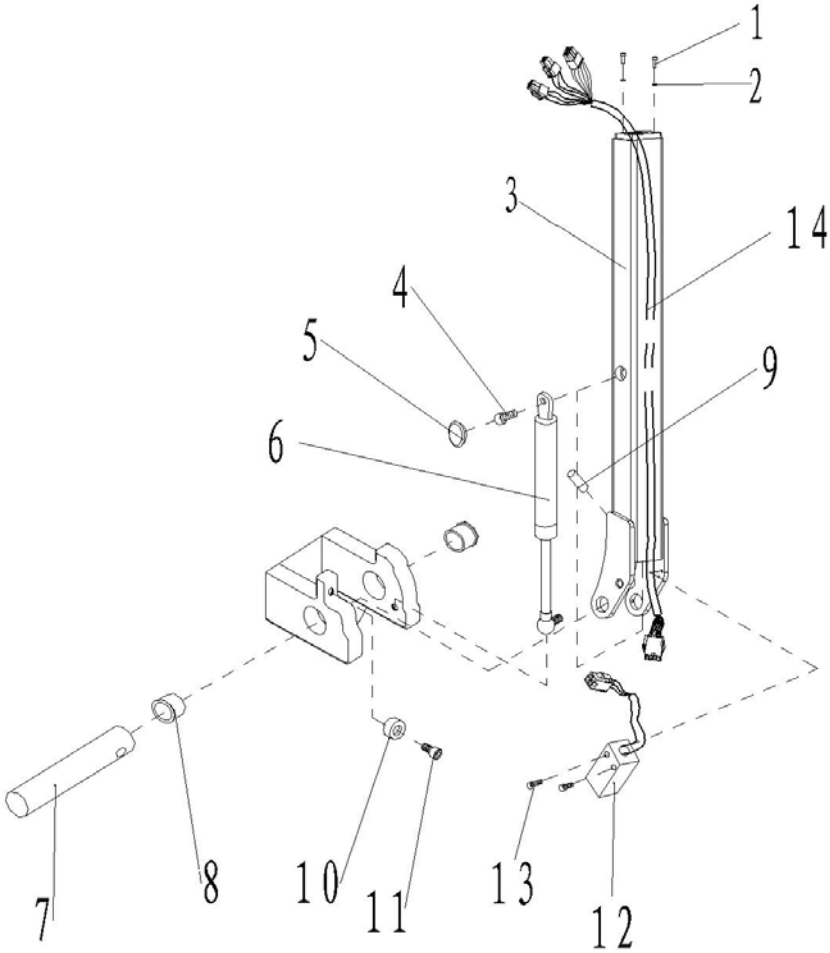
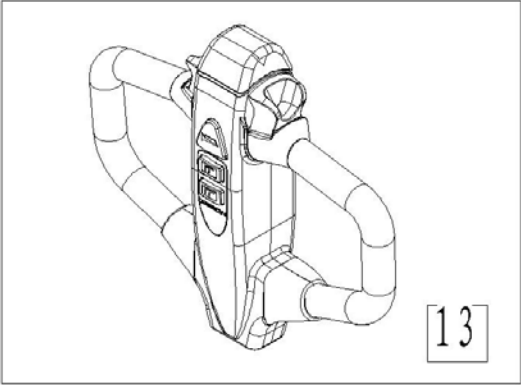


Fig. 13 Tiller Arm

No.	Art No.	Description	Qty.	Note
1	910200200058	Screw	4	M8x25
2	910400500006	Washer	4	8
3	532011010000	Tiller arm welding	1	
4	941100400001	Screw	1	M8x20
5	502311020009	Rubber seal cap	1	
6	940400100026	Air spring 830N(D327)	1	
7	403511020003	Spindle	1	
8	940500200005	Bushing (with shoulder)	2	
9	910600400017	Dowel pin	1	4x35
10	910400500006	Washer 8	1	
11	910200200053	Screw	1	M8x12
12	532011010004	Proximity switch	1	
13	910200200005	Screw	2	M3x20
14	532033010004	Tiller cable	1	
13	502311010004	Home made tiller head	1	

Fig. 14 Economic tiller head

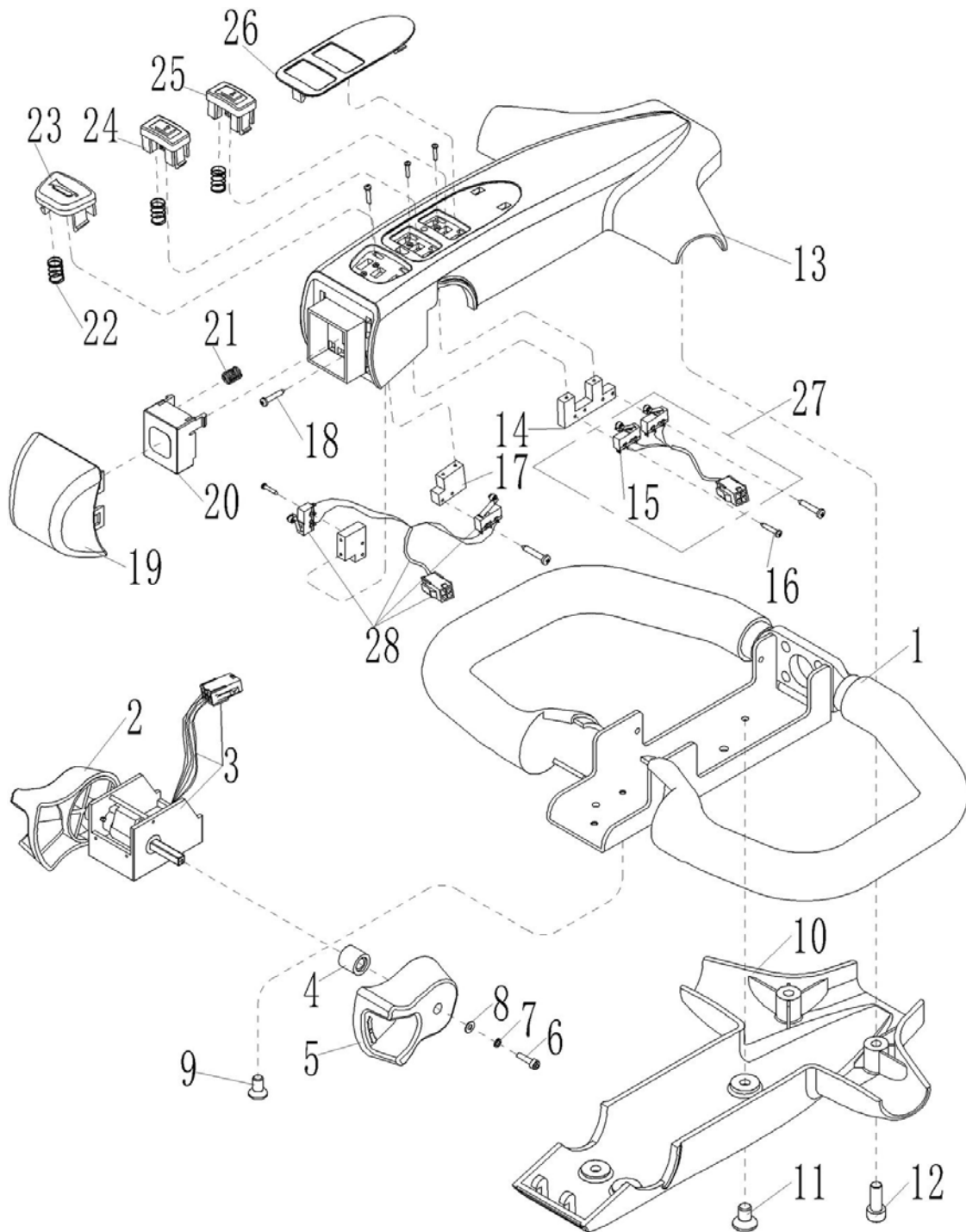


Fig. 14 Economic tiller head

No.	Art No.	Description	Qty.	Note
1	502311010006	Tiller base	1	
2	502311020011	Left driving switch	1	
3	921700100010	Accelerator	1	

4	502311020013	Bushing	2	
5	502311020012	Right driving switch	1	
6	910200200003	Screw	2	M3x12
7	910400500002	Washer	2	3
8	910400100002	Flat washer	2	3
9	910200400003	Screw	3	M4x8
10	502311020025	Tiller bottom cover	1	
11	910200400015	Screw	4	M6x10
12	910200200035	Screw	2	M6x16
13	502311020024	Tiller top cover	1	
14	502311020015	Micro switch holder	1	
15	920200300002	Micro switch	4	
16	910201400002	Screw	14	ST2.2x13
17	502311020014	Micro switch holder	2	
18	910201400001	Screw	7	ST2.2x9.5
19	502311020016	Belly button	1	
20	502311020017	Belly button base	1	
21	502311020018	Spring	4	
22	502311020022	Spring	6	
23	502311020019	Horn button	1	
24	502311020020	Lifting button	1	
25	502311020021	Lowering button	1	
26	502311020023	Sticker	1	
27	502311010008	Tiller micro switch components	1	2
28	502311010007	Tiller micro switch components	1	1

Fig. 15 Drive wheel

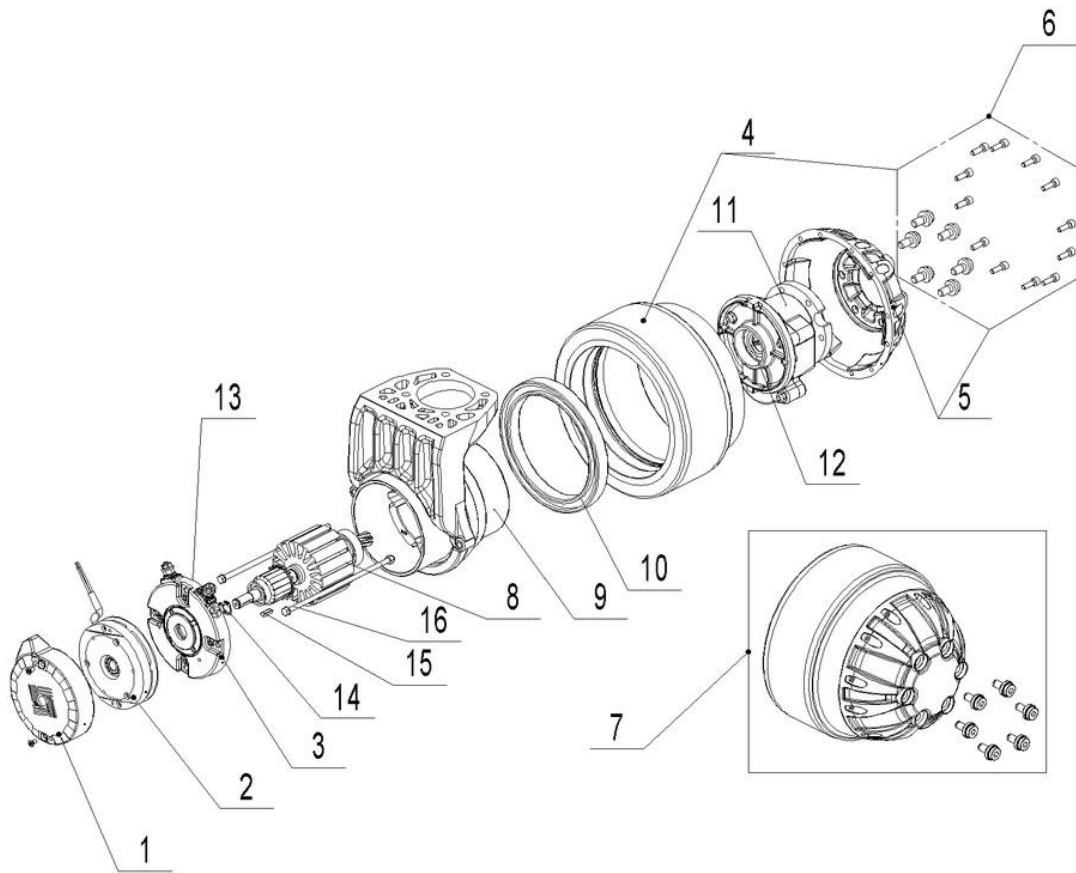


Fig. 15 Drive wheel

No.	Art No.	Description	Qty.	Note
1	502398520001	Brake cover	1	
2	502398510005	Electric brake	1	
3	502398510006	End cap complete kit	1	
4	502398520002	Wheel kit(D.200 PU)	1	
	502398520003	Wheel kit(D.230 Rubber)	1	
5	502398520004	Hub kit	1	
6	502398510007	Screw kit	1	
7	502398510001	Wheel and cover kit	1	
	502398510000	Wheel and cover kit	1	
8	502398510008	Rotor	1	
	502398510009	Rotor	1	
9	502398510010	Bracket+stator	1	
10	502398520005	Ball bearing	1	

11	502398510011	Gearbox	1	
12	502398510012	Gearbox seal	1	
13	502398510013	Brushes kit	1	
14	502398520006	Retaining ring	1	
15	502398520007	Key	1	
16	502398520008	Tie rod	2	

Fig. 16 Load backrest

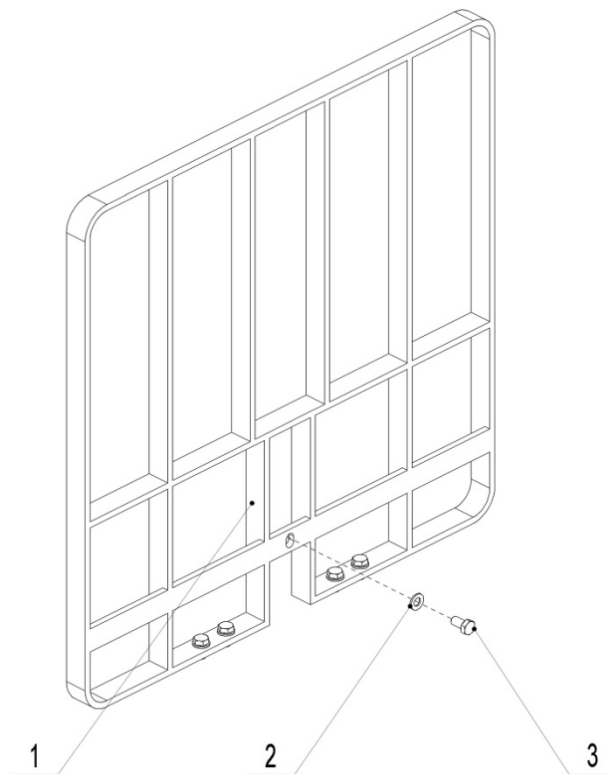


Fig. 16 Load Backrest

1	532340510001	Load backrest	1	
2	910400100007	Washer	5	
3	910200200075	Bolt	5	

Fig.17 Sticker (EU)

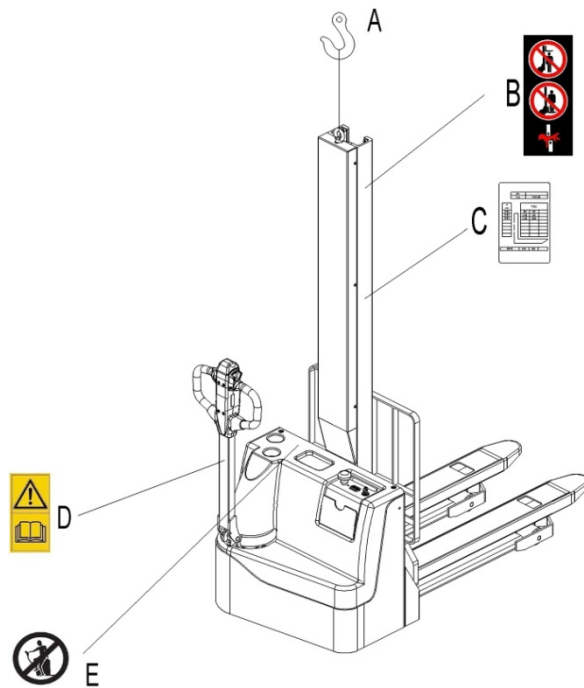


Fig. 17 Sticker (EU)

No.	Art No.	Description	Qty.	Note
A	941200300001	Crane hook	2	
B	941200100004	Warning label	1	
C	532447020000	Residual lift capacity sticker	1	
D	941200300002	Sign read and follow this instruction	1	
E	941200100003	'No passengers' decal	1	

Fig.18 Sticker (US)

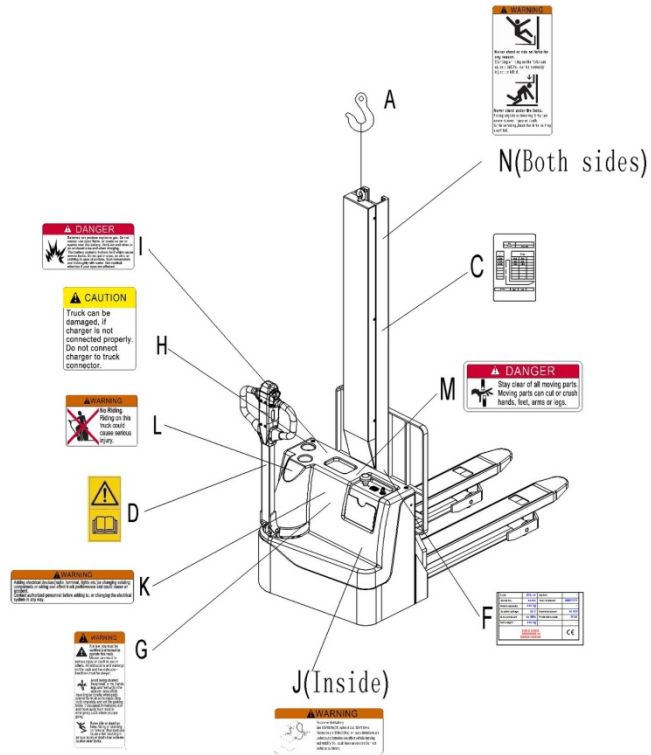


Fig. 17 Sticker (US)

No.	Art No.	Description	Qty.	Note
A	941200300001	Crane hook	2	
C	532447020000	Residual lift capacity sticker	1	
D	941200300002	Sign read and follow this instruction	1	
G	941200100009	Warning label	1	
H	941200100012	Warning label	1	
I	941200100013	Warning label	1	
J	502347020000	Warning label	1	
K	941200100010	Warning label	1	
L	941200100011	'No passengers' decal	1	
M	941200100014	Warning label	1	
N	941200100016	Warning label	2	

Easy worn parts list

No.	Art No.	Description	Qty.	Fig./Position	Note
1	910700400004	Bearing GB292-7206C-2RS	2	Fig. 3/3	Balance roller
2	910700200019	Bearing GB276-6204-2RS	2	Fig. 3/11	
3	940300300019	Wheel 124x60 (steel core PU)	1	Fig. 3/12	
4	532698510004	Wheel components	1	Fig. 3/17	
5	940300300023	Wheel 80x93 (steel core PU)	1	Fig. 4/1	Load roller
6	910700200019	Bearing GB276-6204-2RS	2	Fig. 4/4	
7	532098510009	Wheel components	1	Fig. 4/6	
8	920100100005	Fuse 100A (plastic)	1	Fig. 5/8	Electric control components
9	920100200002	Fuse 10A	1	Fig. 5/16	
10	920100100003	Fuse 60A (plastic)	1	Fig. 5/25	
11	920100300001	Fuse tube 0.5A	1	Fig. 7/14	Electrical parts
12	920100200001	Fuse 1A	1	Fig. 7/23	
13	950100200001	Rubber sealing pad 11.5x7.5x3	1	Fig. 7/32	
14	910700200020	Bearing GB276-6205-2RS	2	Fig. 8/2	Hydraulic system
15	532498520003	Dust ring 35x43x5/6.5	1	Fig. 9/1	Cylinder components
16	532498520000	O ring –inner 34.4x3.1	1	Fig. 9/2	
17	532498510000	Support ring 36x40x15	1	Fig. 9/3	
18	532498520004	Y seal ring 30x40x6/7	1	Fig. 9/4	
19	532498501016	Sealing kits	1	Fig. 9/5	
20	532098520001	O ring	1	Fig. 10/5	Pump sstem
21	532098520002	O ring	1	Fig. 10/6	
22	910700200024	Bearing GB276-6209-2RS	1	Fig. 11/10	Drive system
23	910700600019	Bearing GB297-32011	1	Fig. 11/11	
24	502311020009	Rubber seal cap	1	Fig. 13/5	Tiller arm components
25	940400100026	Air spring 830N(D327)	1	Fig. 13/6	
26	940500200005	Bushing	2	Fig. 13/8	
27	502398520005	Bearing	1	Fig. 15/10	Drive wheel

28	502398510012	Gear box seal ring	1	Fig. 15/12	components
----	--------------	--------------------	---	------------	------------