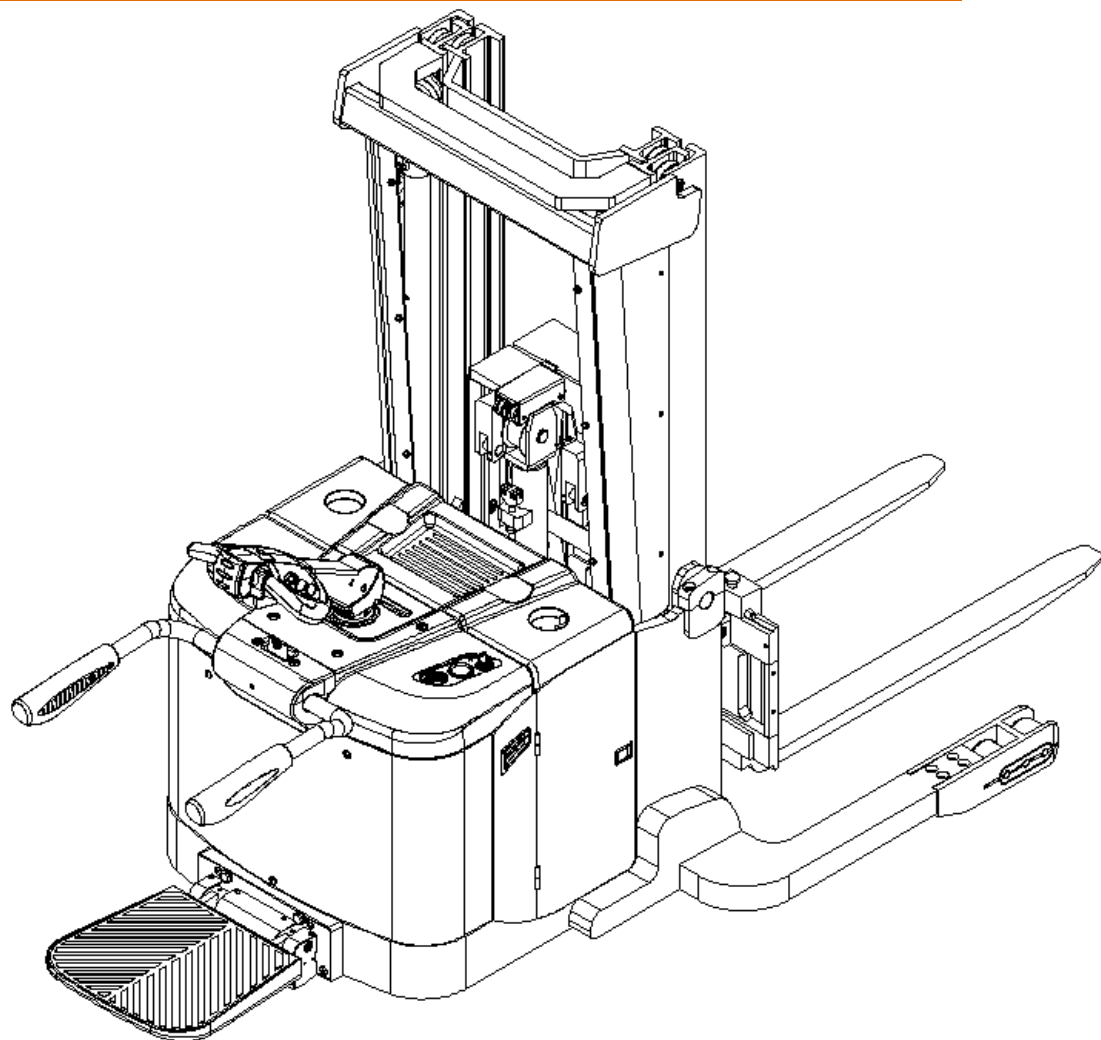


# SPAREPARTS LIST

## Electric Stacker PS 14RP



Version 04/2015

From truck identification number:

30130700011

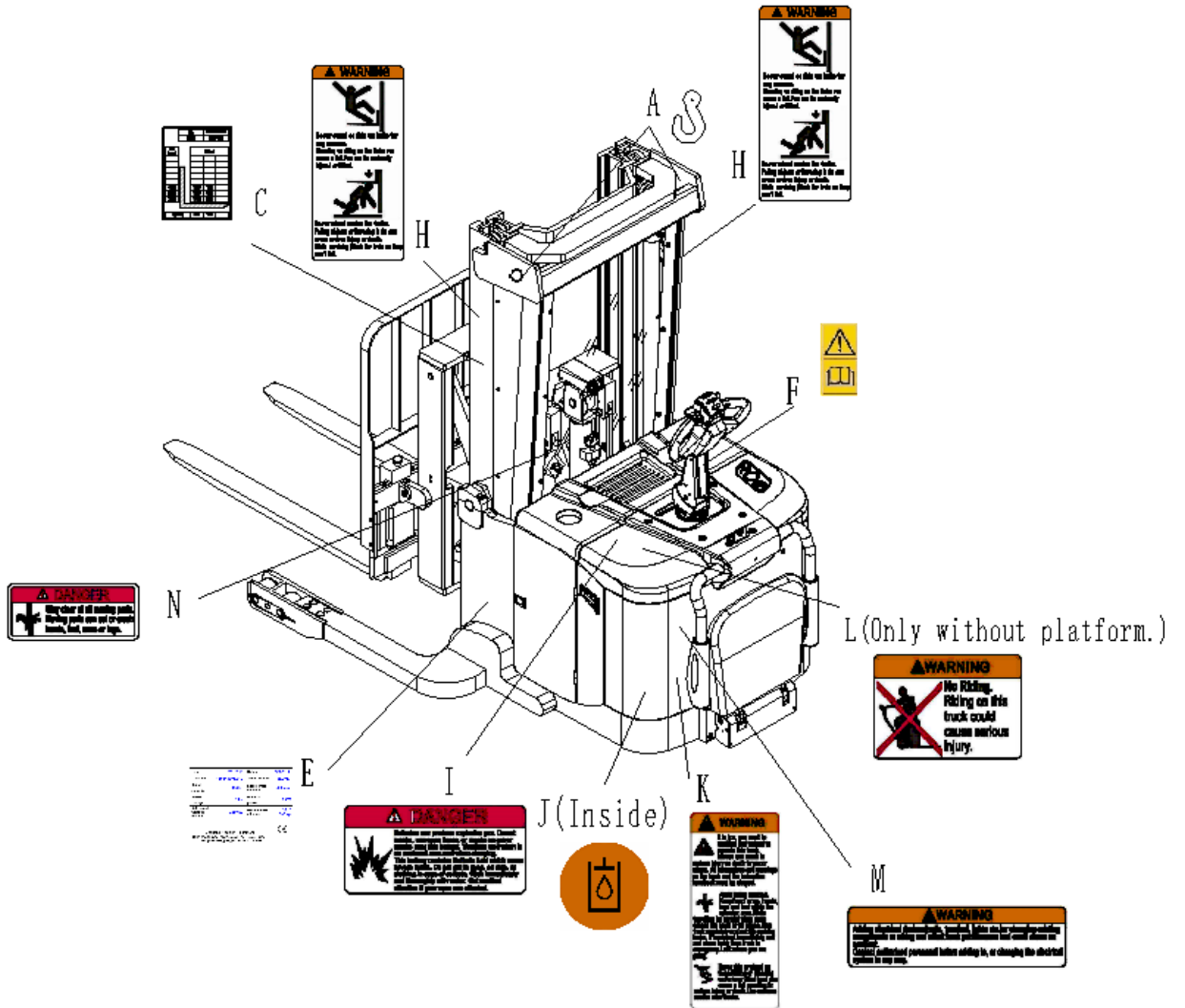
PS 14RP-BPT-004-EN

# Catalogue

|  |    |
|--|----|
| Fig. 1 Label (for US) .....  | 3  |
| Fig. 2 Label (for EU) .....  | 5  |
| Fig. 3 Appearance (Three-stage-mast truck leg inside width 1270) ..... | 7  |
| Fig. 4 Appearance (Three-stage-mast truck leg inside width 865) .....  | 10 |
| Fig. 5 Appearance (Two-stage-mast truck leg inside width 1270) .....   | 13 |
| Fig. 6 Appearance (Two-stage-mast truck leg inside width 865) .....    | 16 |
| Fig. 7 Scissor assembly (Three-stage-mast) .....                       | 19 |
| Fig. 8 Scissor assembly (Two-stage-mast) .....                         | 21 |
| Fig. 9 Fork assembly .....   | 23 |
| Fig. 10 Load roller assembly (Tandem) .....                            | 25 |
| Fig. 11 Load roller assembly (Single) .....                            | 27 |
| Fig. 12 Mast assembly (Three-stage-mast) .....                         | 29 |
| Fig. 13 Mast assembly (Two-stage-mast) .....                           | 34 |
| Fig. 14 Cover structure (Three-stage-mast) .....                       | 37 |
| Fig. 15 Cover structure (Two-stage-mast) .....                         | 39 |
| Fig. 16 Truck body .....   | 41 |
| Fig. 17 Roller assembly .....  | 46 |
| Fig. 18 Drive system .....   | 48 |
| Fig. 19 Drive unit (28ELA-AC-1.6KW) .....                              | 50 |
| Fig. 20 Steering unit (ST DC 2032W) .....                              | 54 |
| Fig. 21 Controller assembly .....                                      | 56 |
| Fig. 22 Main wire .....  | 58 |
| Fig. 23 Indicator assembly .....                                       | 60 |
| Fig. 24 Electrical steering assembly .....                             | 62 |
| Fig. 25 Lifting hydraulic system (Three-stage-mast) .....              | 64 |
| Fig. 26 Lifting hydraulic system (Two-stage-mast) .....                | 68 |
| Fig. 27 Reach、tilt hydraulic system .....                              | 71 |
| Fig. 28 Lifting cylinder assembly (Three-stage-mast) .....             | 73 |

|  |     |
|--|-----|
| Fig. 29 Lifting cylinder assembly (Two-stage-mast) ..... | 78  |
| Fig. 30 Left lifting cylinder (Three-stage-mast) .....   | 80  |
| Fig. 31 Left lifting cylinder (Two-stage-mast) .....     | 82  |
| Fig. 32 Right lifting cylinder (Three-stage-mast) .....  | 84  |
| Fig. 33 Right lifting cylinder (Two-stage-mast) .....    | 86  |
| Fig. 34 Free lifting cylinder.....                       | 88  |
| Fig. 35 Reach forward cylinder.....                      | 90  |
| Fig. 36 Tilt cylinder.....                               | 92  |
| Fig. 37 Main valve group.....                            | 94  |
| Fig. 38 Reach forward valve group .....                  | 96  |
| Fig. 39 Pump system (4.0Kw) .....                        | 98  |
| Fig. 40 Handle arm assembly.....                         | 100 |
| Fig. 41 Handle.....                                      | 102 |
| Fig. 42 Protective arm .....                             | 104 |
| Fig. 43 Foldable platform .....                          | 106 |
| Fig. 44 Battery.....                                     | 108 |
| Easy worn parts list.....                                | 110 |

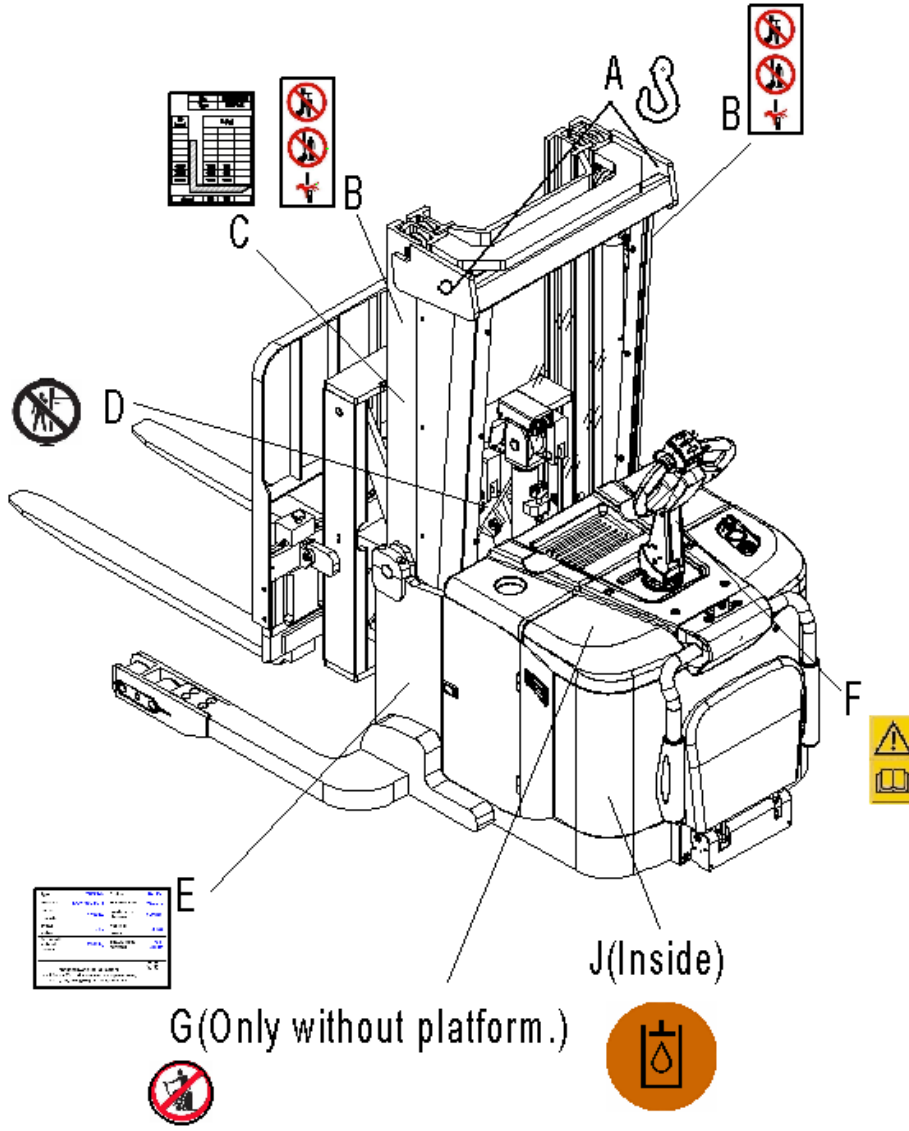
Fig. 1 Label (for US)



**Fig. 1 Label (for US)**

| No. | Art No.    | Description                                   | Qty. | Note |
|-----|------------|---|------|------|
| A   | 9000005967 | Crane hook label                              | 2    |      |
| C   | 9000008648 | Residual lift capacity sticker                | 1    |      |
| E   | 9000008647 | Identification plate (ID-plate)               | 1    |      |
| F   | 9000003570 | Sticker to read and follow these instructions | 1    |      |
| H   | 9000005971 | Warning label                                 | 2    |      |
| I   | 9000003577 | Warning label                                 | 1    |      |
| J   | 9000008555 | Filling sticker                               | 1    |      |
| K   | 9000003575 | Warning label                                 | 1    |      |
| L   | 9000003580 | Warning label                                 | 1    |      |
| M   | 9000003579 | Warning label                                 | 1    |      |
| N   | 9000005970 | Warning label                                 | 1    |      |

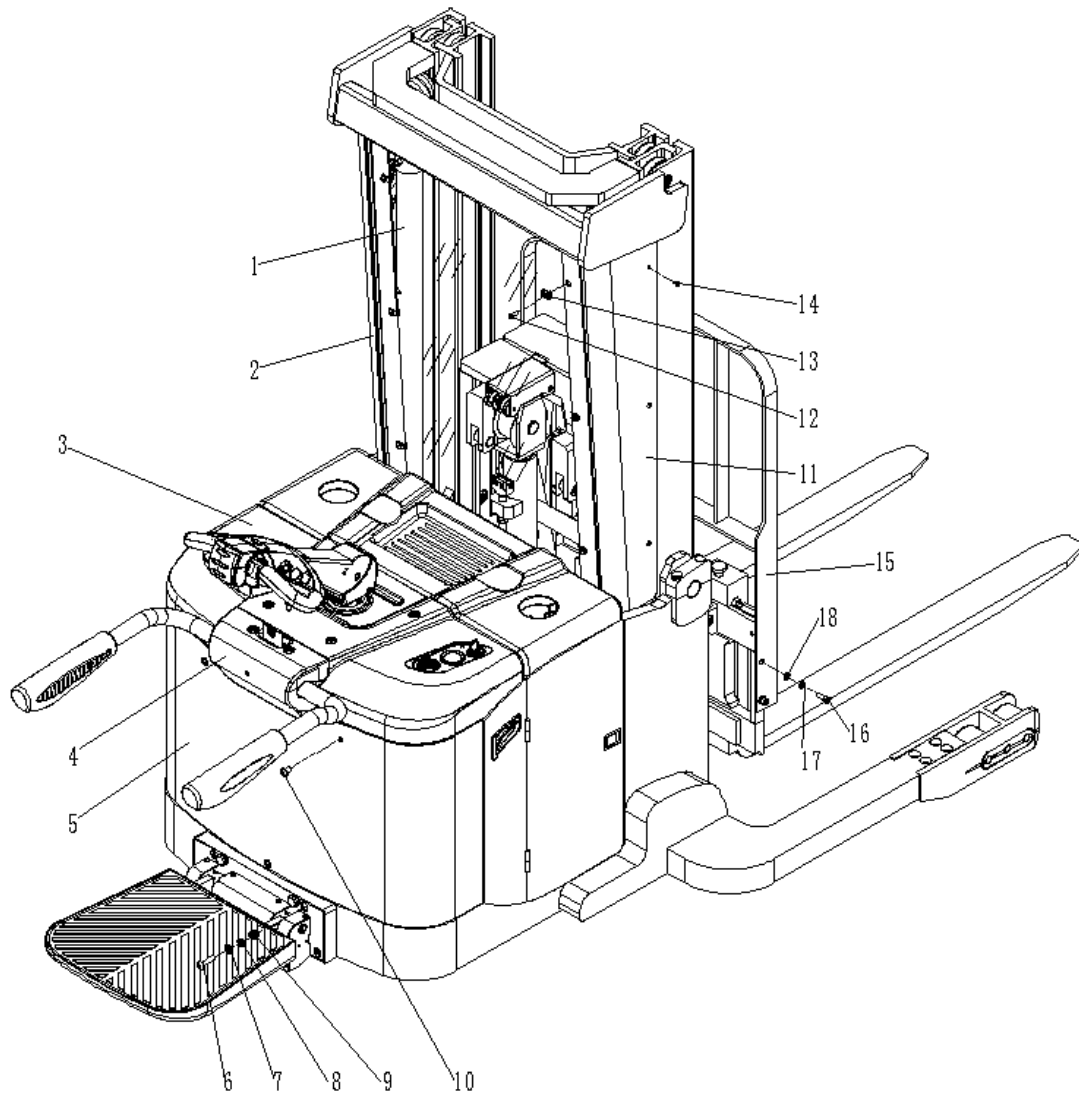
Fig. 2 Label (for EU)



**Fig. 2 Label (for EU)**

| No. | Art No.    | Description                                      | Qty. | Note |
|-----|------------|--|------|------|
| A   | 9000005967 | Crane hook label                                 | 2    |      |
| B   | 9000003923 | Warning decal: Do not step under or on the forks | 2    |      |
| C   | 9000008648 | Residual lift capacity sticker                   | 1    |      |
| D   | 9000008561 | Never reach through                              | 1    |      |
| E   | 9000008647 | Identification plate                             | 1    |      |
| F   | 9000003570 | Sticker to read and follow these instructions    | 1    |      |
| G   | 9000003573 | 'No passengers' decal                            | 1    |      |
| J   | 9000008555 | Filling sticker                                  | 1    |      |

**Fig. 3 Appearance (Three-stage-mast truck leg inside width 1270)**



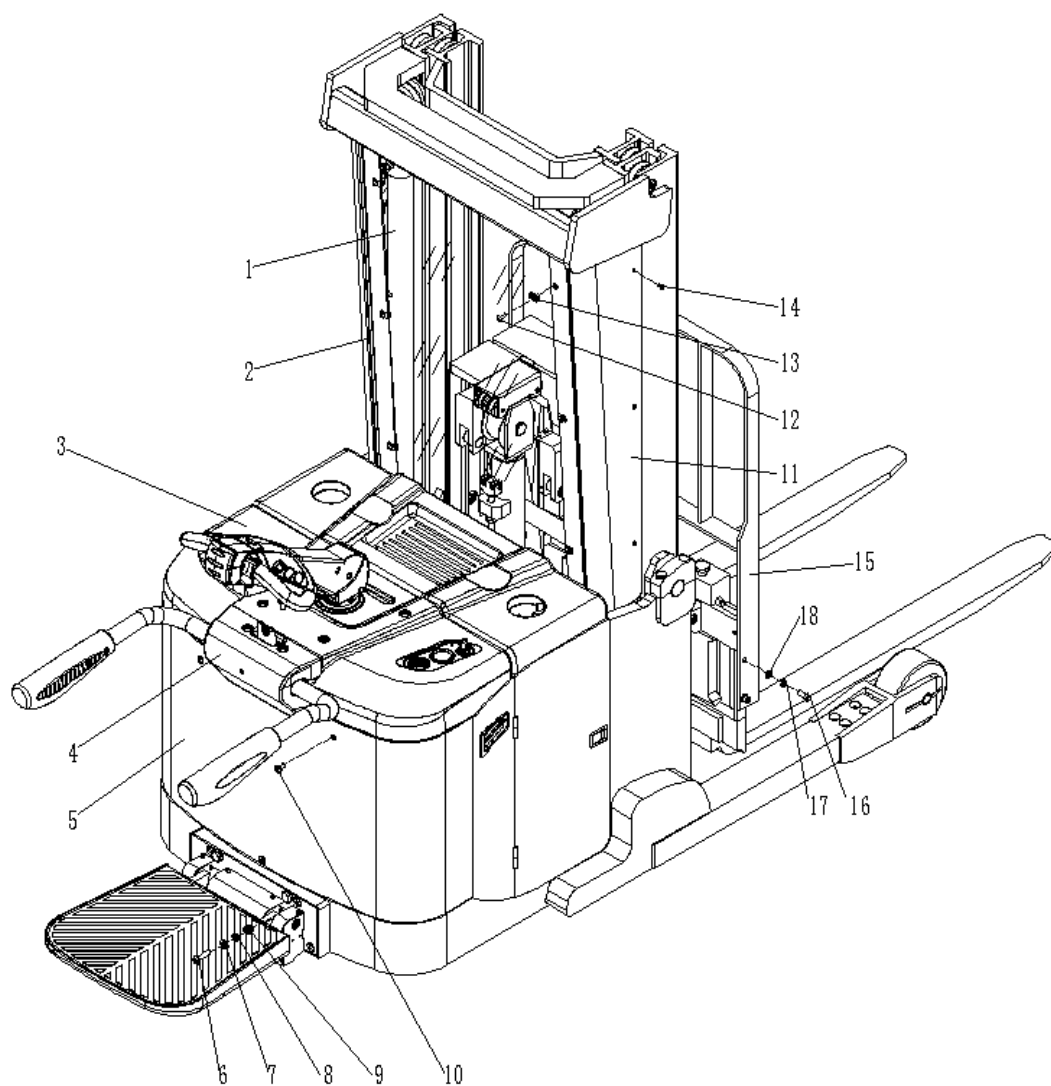


**Fig. 3 Appearance (Three-stage-mast truck leg inside width 1270)**

| No. | Art No.    | Description                        | Qty. | Note                      | Standard          |
|-----|------------|------------------------------------|------|---------------------------|-------------------|
| 1   | 9000007983 | Protective plate                   | 1    | Three-stage-mast<br>4000  |                   |
|     | 9000009581 |                                    |      | Three-stage-mast<br>4600  |                   |
|     | 9000009592 |                                    |      | Three-stage-mast5<br>000  |                   |
|     | 9000009603 |                                    |      | Three-stage-mast<br>5500  |                   |
| 2   | 9000007974 | Left protective<br>cover           | 1    | Three-stage-mast<br>4000  |                   |
|     | 9000009578 |                                    |      | Three-stage-mast<br>4600  |                   |
|     | 9000009589 |                                    |      | Three-stage-mast5<br>000  |                   |
|     | 9000009600 |                                    |      | Three-stage-mast<br>5500  |                   |
| 3   | 9000008009 | Top cover                          | 1    |                           |                   |
| 4   | 9000008063 | Protective arm<br>cover            | 1    | With protective arm       |                   |
|     | 9000008064 | Without<br>protective arm<br>cover | 1    | Without protective<br>arm |                   |
| 5   | 9000007994 | Welded main<br>cover               | 1    |                           |                   |
| 6   | 0090000450 | Screw                              | 4    | M12×45                    | GB/T70.2=ISO7380  |
| 7   | 0090000048 | Washer                             | 4    | 12                        | GB/T97.1=ISO7089  |
| 8   | 0000025024 | Washer                             | 4    | 12                        | GB/T93            |
| 9   | 0000024006 | Nut                                | 4    | M12                       | GB/T889.1=ISO7040 |
| 10  | 9000007791 | Screw                              | 9    | M10×35                    |                   |
| 11  | 9000007985 | Right protective<br>cover          | 1    | Three-stage-mast<br>4000  |                   |
|     | 9000009582 |                                    |      | Three-stage-mast          |                   |

|    |            |               |   |                          |                  |
|----|------------|---------------|---|--------------------------|------------------|
|    |            |               |   | 4600                     |                  |
|    | 9000009593 |               |   | Three-stage-mast<br>5000 |                  |
|    | 9000009604 |               |   | Three-stage-mast5<br>500 |                  |
| 12 | 0090000448 | Screw         | 6 | M8×20                    | GB/T70.2=ISO7380 |
| 13 | 9000007784 | Nut           | 6 | M8                       |                  |
| 14 | 0000023045 | Screw         | 6 | M6×12                    | GB/T70.2=ISO7380 |
| 15 | 9000009779 | Load backrest | 1 |                          |                  |
| 16 | 0000023088 | Screw         | 4 | M10×25                   | GB/T70.1=ISO4762 |
| 17 | 0000023006 | Washer        | 4 | 10                       | GB/T93           |
| 18 | 0000025002 | Washer        | 4 | 10                       | GB/T95           |

**Fig. 4 Appearance (Three-stage-mast truck leg inside width 865)**

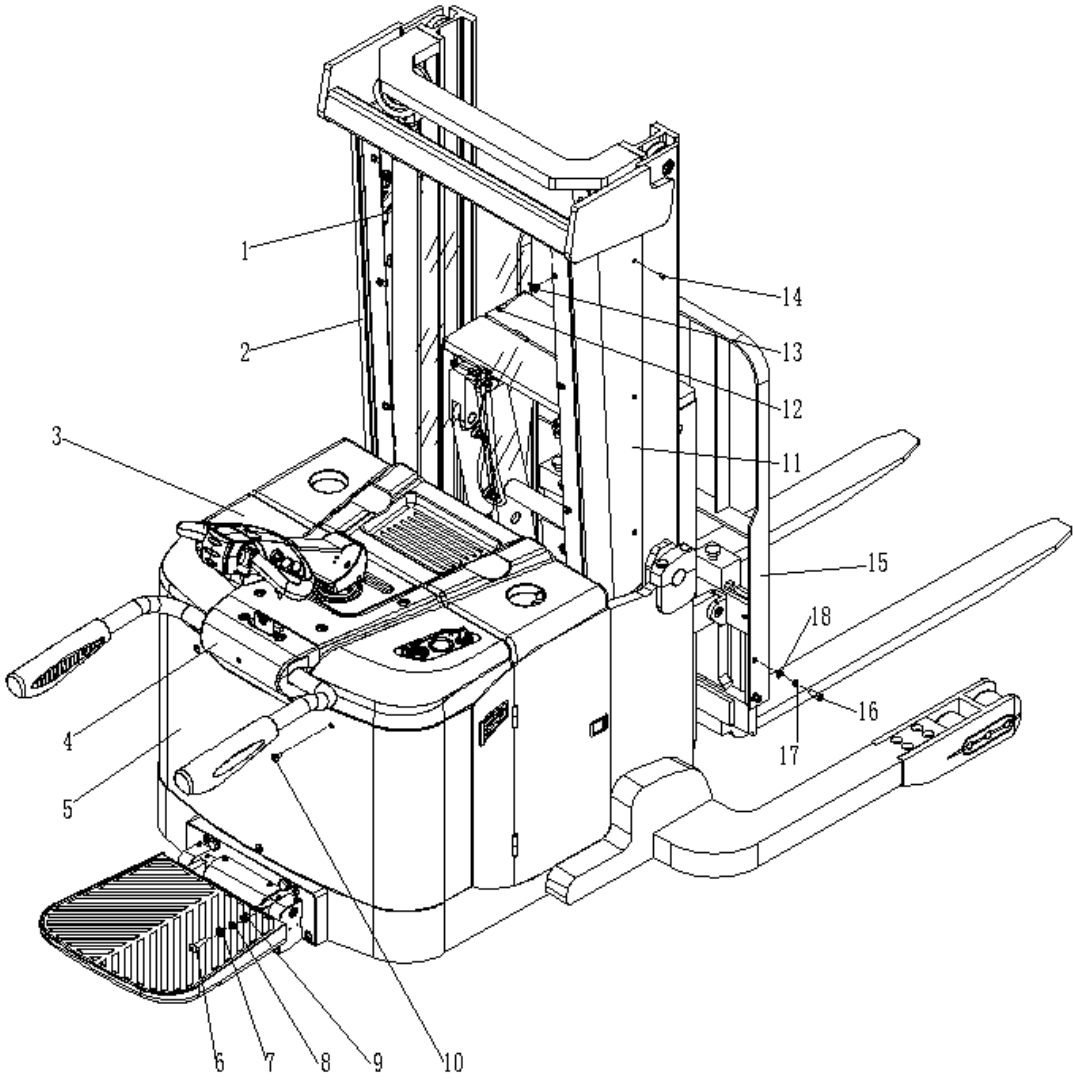


**Fig. 4 Appearance (Three-stage-mast truck leg inside width 865)**

| No. | Art No.    | Description                  | Qty | Note                     | Standard          |
|-----|------------|------------------------------|-----|--------------------------|-------------------|
| 1   | 9000007983 | Protective plate             | 1   | Three-stage-mast<br>4000 |                   |
|     | 9000009581 |                              |     | Three-stage-mast<br>4600 |                   |
|     | 9000009592 |                              |     | Three-stage-mast5<br>000 |                   |
|     | 9000009603 |                              |     | Three-stage-mast5<br>500 |                   |
| 2   | 9000007974 | Left protective cover        | 1   | Three-stage-mast<br>4000 |                   |
|     | 9000009578 |                              |     | Three-stage-mast<br>4600 |                   |
|     | 9000009589 |                              |     | Three-stage-mast<br>5000 |                   |
|     | 9000009600 |                              |     | Three-stage-mast5<br>500 |                   |
| 3   | 9000008009 | Top cover                    | 1   |                          |                   |
| 4   | 9000008063 | Protective arm cover         | 1   | With protective arm      |                   |
|     | 9000008064 | Without protective arm cover | 1   | Without protective arm   |                   |
| 5   | 9000007994 | Main cover                   | 1   |                          |                   |
| 6   | 0090000450 | Screw                        | 4   | M12×45                   | GB/T70.2=ISO7380  |
| 7   | 0090000048 | Washer                       | 4   | 12                       | GB/T97.1=ISO7089  |
| 8   | 0000025024 | Washer                       | 4   | 12                       | GB/T93            |
| 9   | 0000024006 | Nut                          | 4   | M12                      | GB/T889.1=ISO7040 |
| 10  | 9000007791 | Screw                        | 9   | M10×35                   |                   |
| 11  | 9000007985 | Right protective cover       | 1   | Three-stage-mast<br>4000 |                   |
|     | 9000009582 |                              |     | Three-stage-mast         |                   |

|    |            |               |   |                          |                  |
|----|------------|---------------|---|--------------------------|------------------|
|    |            |               |   | 4600                     |                  |
|    | 9000009593 |               |   | Three-stage-mast5<br>000 |                  |
|    | 9000009604 |               |   | Three-stage-mast<br>5500 |                  |
| 12 | 0090000448 | Screw         | 6 | M8×20                    | GB/T70.2=ISO7380 |
| 13 | 9000007784 | Nut           | 6 | M8                       |                  |
| 14 | 0000023045 | Screw         | 6 | M6×12                    | GB/T70.2=ISO7380 |
| 15 | 9000009779 | Load backrest | 1 |                          |                  |
| 16 | 0000023088 | Screw         | 4 | M10×25                   | GB/T70.1=ISO4762 |
| 17 | 0000023006 | Washer        | 4 | 10                       | GB/T93           |
| 18 | 0000025002 | Washer        | 4 | 10                       | GB/T95           |

**Fig. 5 Appearance (Two-stage-mast truck leg inside width 1270)**



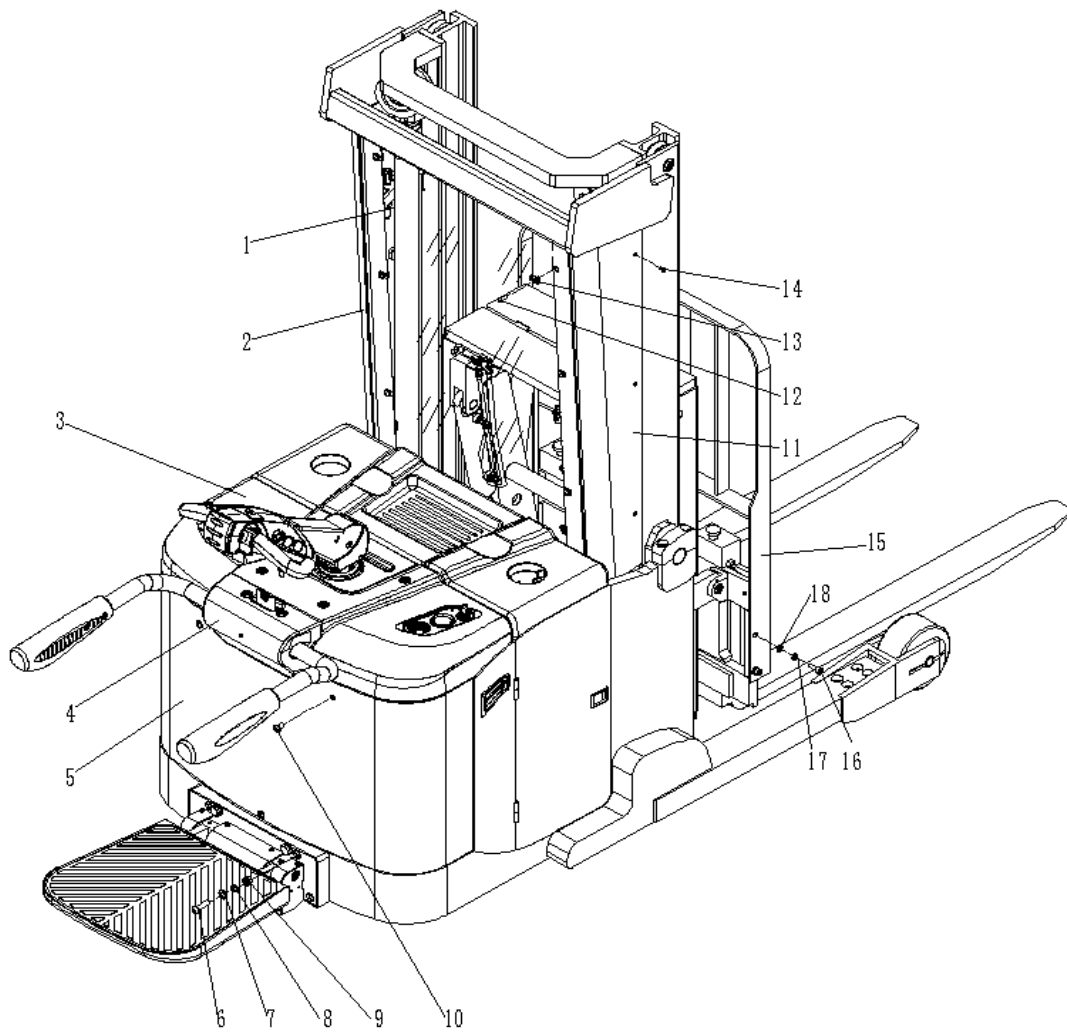
**Fig. 5 Appearance (Two-stage-mast truck leg inside width 1270)**

| No. | Art No.    | Description                     | Qty. | Note                      | Standard          |
|-----|------------|---------------------------------|------|---------------------------|-------------------|
| 1   | 9000007983 | Protective plate                | 1    | Two-stage-mast<br>2900    |                   |
|     | 9000009626 |                                 |      | Two-stage-mast<br>3200    |                   |
|     | 9000009635 |                                 |      | Two-stage-mast<br>3600    |                   |
| 2   | 9000007974 | Left protective<br>cover        | 1    | Two-stage-mast<br>2900    |                   |
|     | 9000009625 |                                 |      | Two-stage-mast<br>3200    |                   |
|     | 9000009634 |                                 |      | Two-stage-mast<br>3600    |                   |
| 3   | 9000008009 | Top cover                       | 1    |                           |                   |
| 4   | 9000008063 | Protective arm<br>cover         | 1    | With protective<br>arm    |                   |
|     | 9000008064 | Without protective<br>arm cover | 1    | Without<br>protective arm |                   |
| 5   | 9000007994 | Main cover                      | 1    |                           |                   |
| 6   | 0090000450 | Screw                           | 4    | M12×45                    | GB/T70.2=ISO7380  |
| 7   | 0090000048 | Washer                          | 4    | 12                        | GB/T97.1=ISO7089  |
| 8   | 0000025024 | Washer                          | 4    | 12                        | GB/T93            |
| 9   | 0000024006 | Nut                             | 4    | M12                       | GB/T889.1=ISO7040 |
| 10  | 9000007791 | Screw                           | 9    | M10×35                    |                   |
| 11  | 9000007985 | Right protective<br>cover       | 1    | Two-stage-mast<br>2900    |                   |
|     | 9000009627 |                                 |      | Two-stage-mast<br>3200    |                   |
|     | 9000009636 |                                 |      | Two-stage-mast<br>3600    |                   |
| 12  | 0090000448 | Screw                           | 6    | M8×20                     | GB/T70.2=ISO7380  |
| 13  | 9000007784 | Nut                             | 6    | M8                        |                   |
| 14  | 0000023045 | Screw                           | 6    | M6×12                     | GB/T70.2=ISO7380  |

|    |            |               |   |        |                  |
|----|------------|---------------|---|--------|------------------|
| 15 | 9000009779 | Load backrest | 1 |        |                  |
| 16 | 0000023088 | Screw         | 4 | M10×25 | GB/T70.1=ISO4762 |
| 17 | 0000023006 | Washer        | 4 | 10     | GB/T93           |
| 18 | 0000025002 | Washer        | 4 | 10     | GB/T95           |



**Fig. 6 Appearance (Two-stage-mast truck leg inside width 865)**

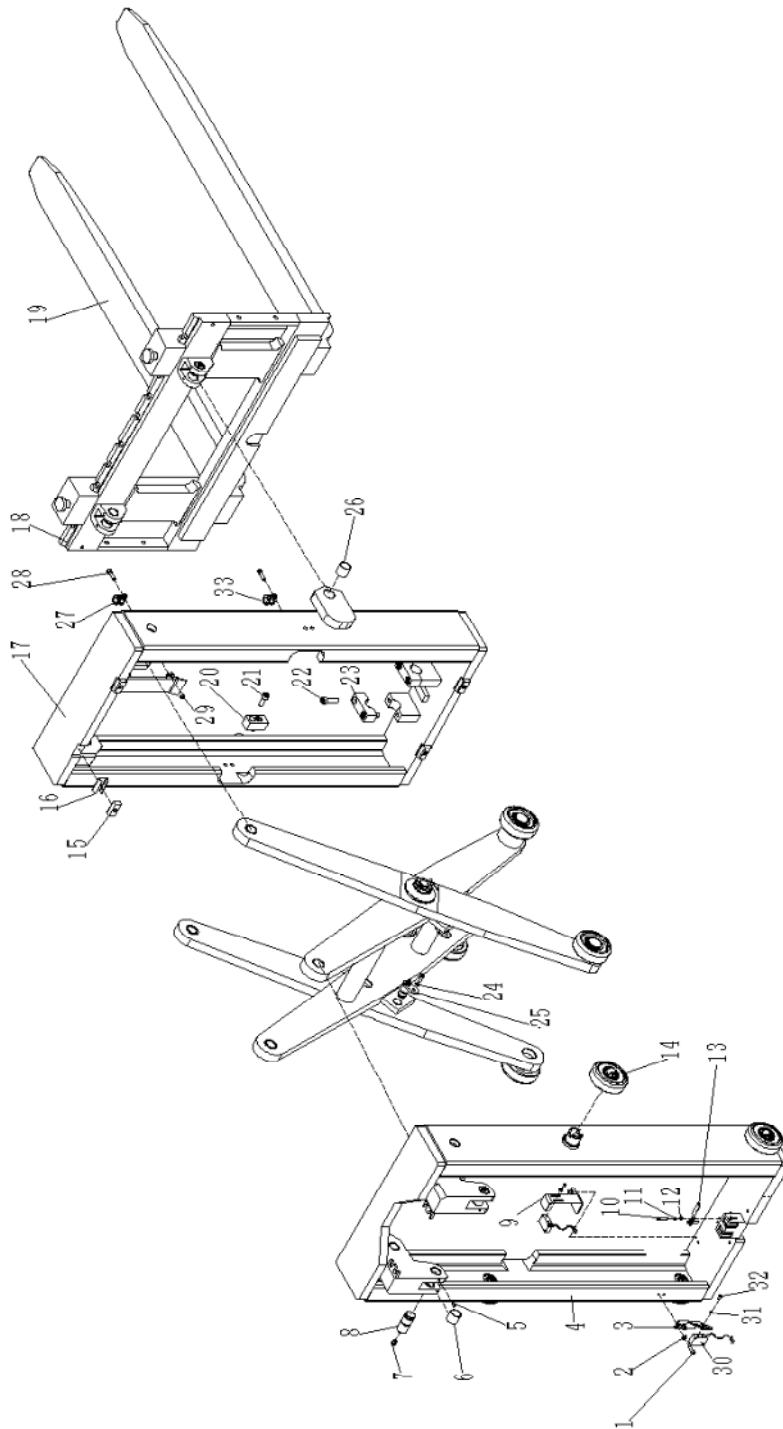


**Fig. 6 Appearance (Two-stage-mast truck leg inside width 865)**

| No. | Art No.    | Description                     | Qty. | Note                      |                   |
|-----|------------|---------------------------------|------|---------------------------|-------------------|
| 1   | 9000007983 | Protective plate                | 1    | Two-stage-mast<br>2900    |                   |
|     | 9000009626 |                                 |      | Two-stage-mast<br>3200    |                   |
|     | 9000009635 |                                 |      | Two-stage-mast<br>3600    |                   |
| 2   | 9000007974 | Left protective<br>cover        | 1    | Two-stage-mast<br>2900    |                   |
|     | 9000009625 |                                 |      | Two-stage-mast<br>3200    |                   |
|     | 9000009634 |                                 |      | Two-stage-mast<br>3600    |                   |
| 3   | 9000008009 | Top cover                       | 1    |                           |                   |
| 4   | 9000008063 | Protective arm<br>cover         | 1    | With protective<br>arm    |                   |
|     | 9000008064 | Without protective<br>arm cover | 1    | Without<br>protective arm |                   |
| 5   | 9000007994 | Main cover                      | 1    |                           |                   |
| 6   | 0090000450 | Screw                           | 4    | M12×45                    | GB/T70.2=ISO7380  |
| 7   | 0090000048 | Washer                          | 4    | 12                        | GB/T97.1=ISO7089  |
| 8   | 0000025024 | Washer                          | 4    | 12                        | GB/T93            |
| 9   | 0000024006 | Nut                             | 4    | M12                       | GB/T889.1=ISO7040 |
| 10  | 9000007791 | Screw                           | 9    | M10×35                    |                   |
| 11  | 9000007985 | Right protective<br>cover       | 1    | Two-stage-mast<br>2900    |                   |
|     | 9000009627 |                                 |      | Two-stage-mast<br>3200    |                   |
|     | 9000009636 |                                 |      | Two-stage-mast<br>3600    |                   |
| 12  | 0090000448 | Screw                           | 6    | M8×20                     | GB/T70.2=ISO7380  |
| 13  | 9000007784 | Nut                             | 6    | M8                        |                   |
| 14  | 0000023045 | Screw                           | 6    | M6×12                     | GB/T70.2=ISO7380  |

|    |            |               |   |        |                  |
|----|------------|---------------|---|--------|------------------|
| 15 | 9000009779 | Load backrest | 1 |        |                  |
| 16 | 0000023088 | Screw         | 4 | M10×25 | GB/T70.1=ISO4762 |
| 17 | 0000023006 | Washer        | 4 | 10     | GB/T93           |
| 18 | 0000025002 | Washer        | 4 | 10     | GB/T95           |

**Fig. 7 Scissor assembly (Three-stage-mast)**

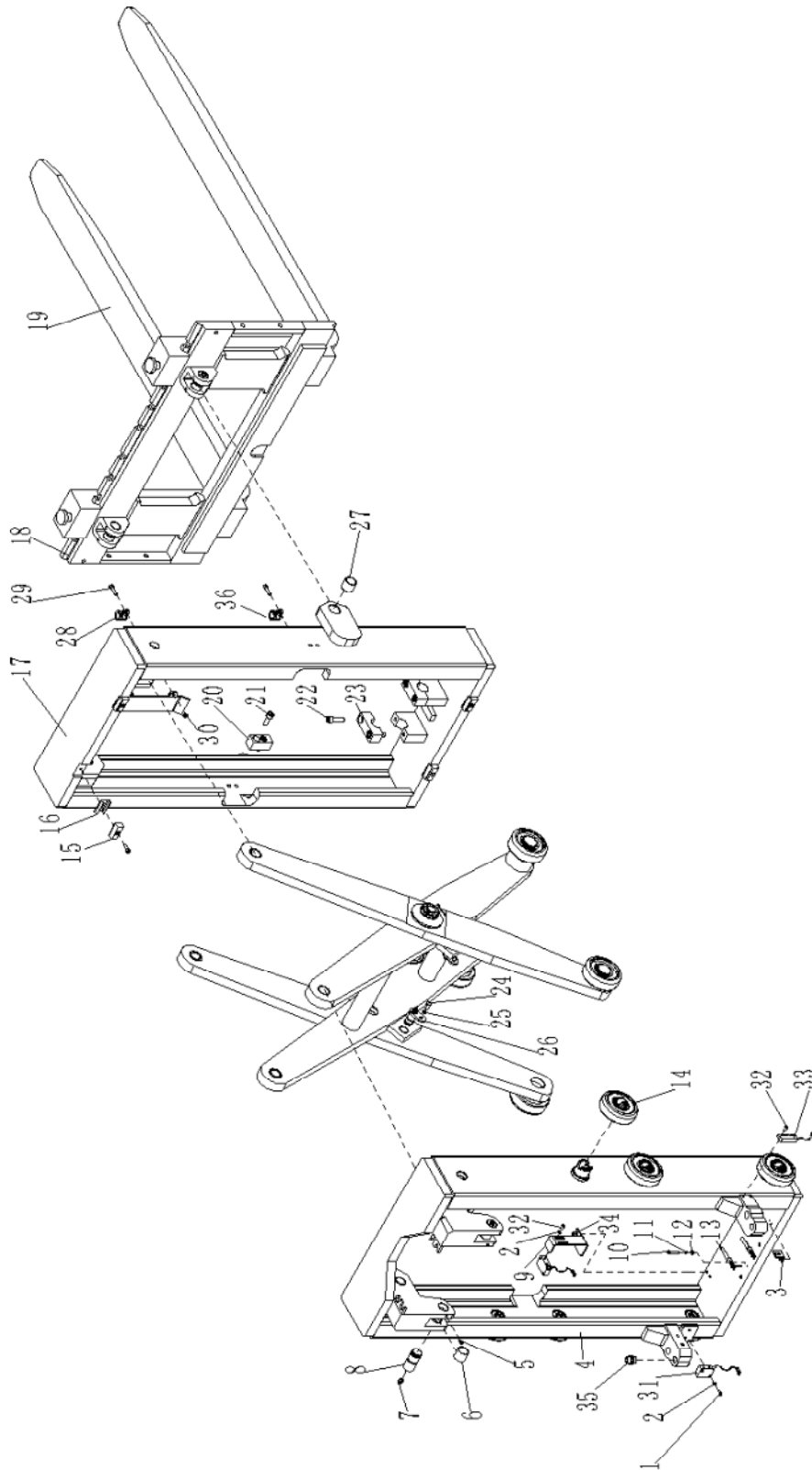


**Fig. 7 Scissor Assembly (Three-stage-mast)**

| No. | Art No.    | Description      | Qty. | Note  | Standard         |
|-----|------------|------------------|------|-------|------------------|
| 1   | 0000023040 | Screw            | 13   | M6×16 | GB/T70.1=ISO4762 |
| 2   | 0000023055 | Washer           | 6    | 6     | GB/T95           |
| 3   | 9000007949 | Proximity switch | 1    |       |                  |

|    |            |                  |    |            |                     |
|----|------------|------------------|----|------------|---------------------|
| 4  | 9000007952 | Scissor frame    | 1  |            |                     |
| 5  | 0000023743 | Screw            | 8  | M6×10      | GB/T79=ISO4028      |
| 6  | 9000007797 | Bushing          | 2  | □25×28×22  |                     |
| 7  | 0000030028 | Grease nipple    | 10 | M8×1       | JB/T7940.1=ISOB1575 |
| 8  | 9000007950 | Short axle       | 8  |            |                     |
| 9  | 9000007948 | Proximity switch | 1  |            |                     |
| 10 | 0000023033 | Screw            | 4  | M4×25      | GB/T70.1=ISO4762    |
| 11 | 0000025018 | Washer           | 4  | 4          | GB/T93              |
| 12 | 0000025019 | Washer           | 4  | 4          | GB/T95              |
| 13 | 9000007981 | Connector seat   | 2  |            |                     |
| 14 | 3500100005 | Compound roller  | 4  |            |                     |
| 15 | 9000007947 | Cushion          | 4  |            |                     |
| 16 | 9000007957 | Cushion cover    | 4  |            |                     |
| 17 | 9000007951 | Fork frame       | 1  |            |                     |
| 18 | 9000007946 | Fork frame       | 1  |            |                     |
| 19 | 2090500001 | Fork assembly    | 2  |            |                     |
| 20 | 9000007954 | Block            | 2  |            |                     |
| 21 | 0000023088 | Screw            | 6  | M10×25     | GB/T70.1=ISO4762    |
| 22 | 0000023029 | Screw            | 4  | M10×35     | GB/T70.1=ISO4762    |
| 23 | 9000007953 | Pressure plate   | 2  |            |                     |
| 24 | 0000025010 | Washer           | 6  | 6          | GB/T93              |
| 25 | 9000007955 | Linking axle     | 2  |            |                     |
| 26 | 0000027040 | Bushing          | 2  | □25×28×25  |                     |
| 27 | 9000009945 | Pipe clamp       | 2  |            |                     |
| 28 | 0000023044 | Screw            | 2  | M8×20      | GB/T70.1=ISO4762    |
| 29 | 0000024005 | Nut              | 2  | M8         | GB/T6170=ISO4032    |
| 30 | 9000008331 | Proximity switch | 2  | NBN8-F1-E2 |                     |
| 31 | 0000025026 | Washer           | 4  | 3          | GB/T95              |
| 32 | 0090000554 | Screw            | 4  | M3×8       | GB/T70.1=ISO4762    |
| 33 | 9000008324 | Pipe clamp       | 3  |            |                     |

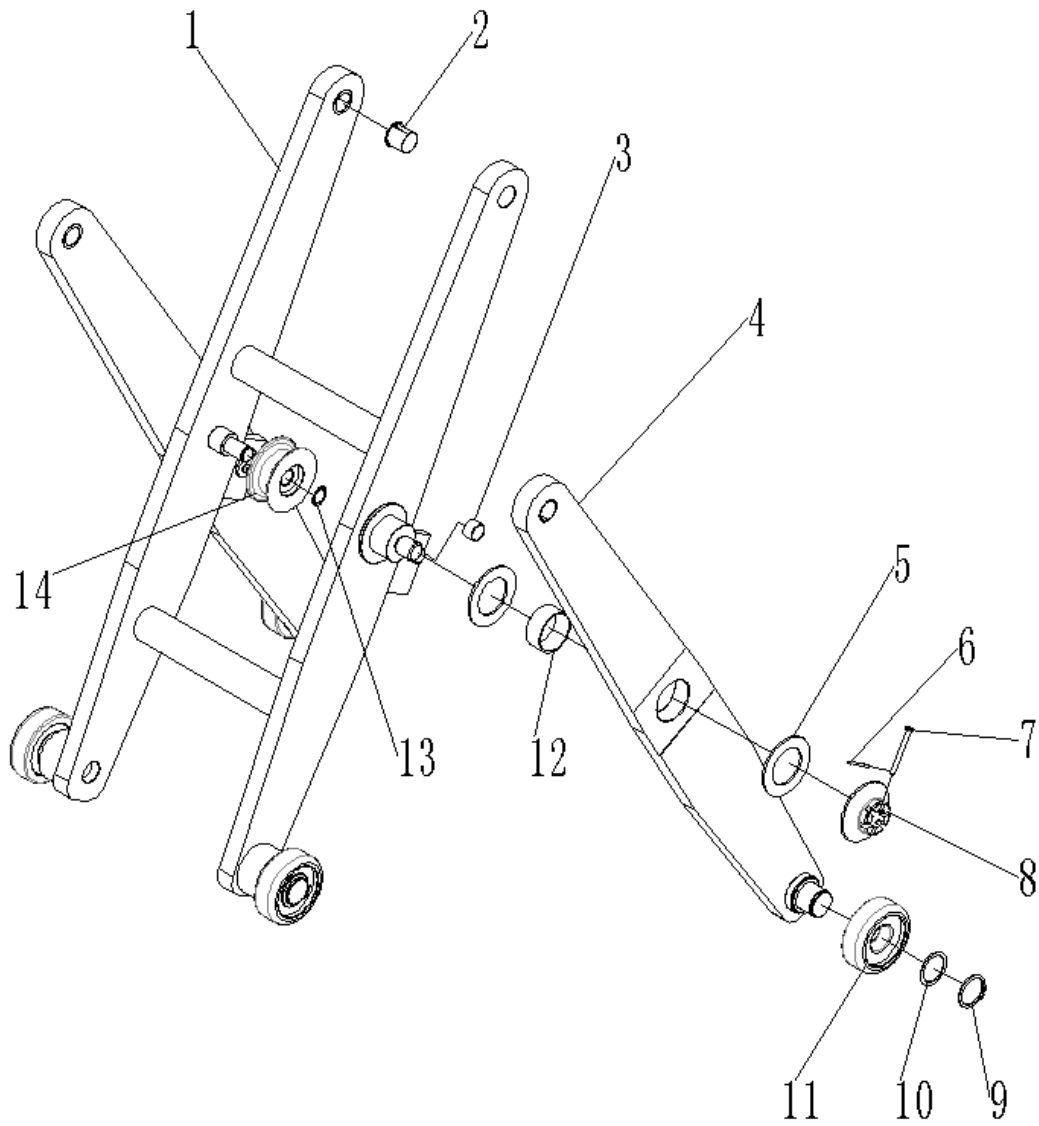
Fig. 8 Scissor assembly (Two-stage-mast)



**Fig. 8 Scissor Assembly (Two-stage-mast)**

| No. | Art No.    | Description              | Qty. | Note       | Standard            |
|-----|------------|--------------------------|------|------------|---------------------|
| 1   | 0000023075 | Screw                    | 2    | M3×20      | GB/T70.1=ISO4762    |
| 2   | 0000025026 | Washer                   | 4    | 3          | GB/T95              |
| 3   | 1010404005 | Fixing plate             | 1    |            |                     |
| 4   | 9000009615 | Scissor frame            | 1    |            |                     |
| 5   | 0000023743 | Screw                    | 8    | M6×10      | GB/T79=ISO4028      |
| 6   | 9000007797 | Bushing                  | 2    | ·25×28×22  |                     |
| 7   | 0000030028 | Grease nipple            | 10   | M8×1       | JB/T7940.1=ISOB1575 |
| 8   | 9000007950 | Short axle               | 8    |            |                     |
| 9   | 9000007948 | Proximity switch seat    | 1    |            |                     |
| 10  | 0000023033 | Screw                    | 6    | M4×25      | GB/T70.1=ISO4762    |
| 11  | 0000025018 | Washer                   | 6    | 4          | GB/T93              |
| 12  | 0000025019 | Washer                   | 6    | 4          | GB/T95              |
| 13  | 9000007981 | Connector seat           | 2    |            |                     |
| 14  | 3500100005 | Compound Roller          | 6    |            |                     |
| 15  | 9000007947 | Cushion                  | 4    |            |                     |
| 16  | 9000007957 | Cushion cover            | 4    |            |                     |
| 17  | 9000009614 | Fork frame               | 1    |            |                     |
| 18  | 9000009613 | Fork frame               | 1    |            |                     |
| 19  | 2090500001 | Fork assembly            | 2    |            |                     |
| 20  | 9000007954 | Block                    | 2    |            |                     |
| 21  | 0000023088 | Screw                    | 6    | M10×25     | GB/T70.1=ISO4762    |
| 22  | 0000023029 | Screw                    | 4    | M10×35     | GB/T70.1=ISO4762    |
| 23  | 9000007953 | Pressure plate           | 2    |            |                     |
| 24  | 0000023040 | Screw                    | 11   | M6×16      | GB/T70.1=ISO4762    |
| 25  | 0000025010 | Washer                   | 4    | 6          | GB/T93              |
| 26  | 9000007955 | Linking axle             | 2    |            |                     |
| 27  | 0000027040 | Bushing                  | 2    | ·25×28×25  |                     |
| 28  | 9000009945 | Pipe clamp               | 2    |            |                     |
| 29  | 0000023044 | Screw                    | 2    | M8×20      | GB/T70.1=ISO4762    |
| 30  | 0000024005 | Nut                      | 2    | M8         | GB/T6170=ISO4032    |
| 31  | 9000008331 | Proximity switch         | 2    | NBN8-F1-E2 |                     |
| 32  | 0090000554 | Screw                    | 2    | M3×8       | GB/T70.1=ISO4762    |
| 33  | 9000008332 | Magnet switch            | 1    |            |                     |
| 34  | 0000023055 | Washer                   | 4    | 6          | GB/T95              |
| 35  | 9000008679 | Cable tighten components | 1    |            |                     |
| 36  | 9000008324 | Pipe clamp               | 3    |            |                     |

**Fig. 9 Fork assembly**

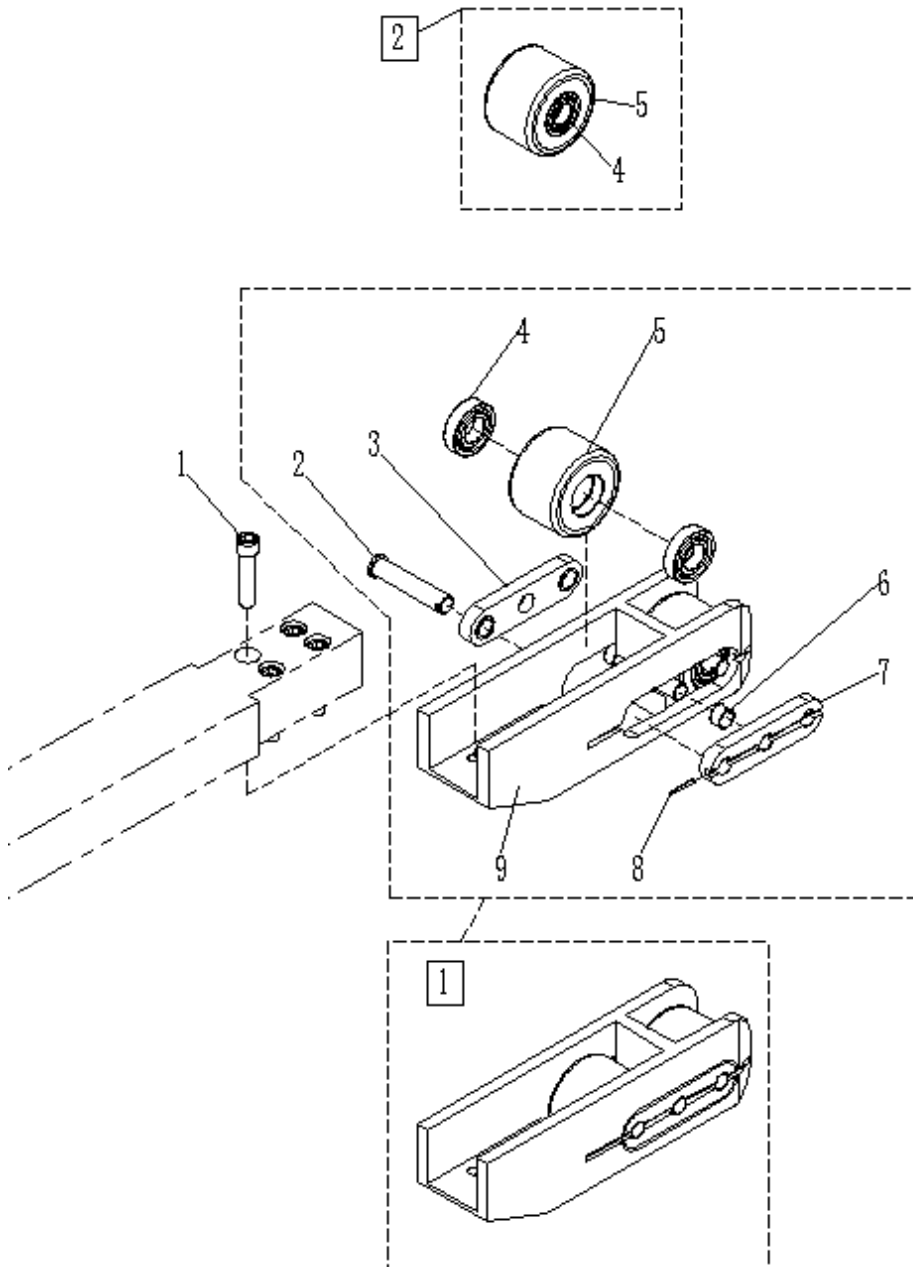




**Fig. 9 Fork Assembly**

| No. | Art No.    | Description | Qty. | Note             | Standard        |
|-----|------------|-------------|------|------------------|-----------------|
| 1   | 9000007941 | Fork        | 1    | Three-stage-mast |                 |
|     | 9000009612 |             |      | Two-stage-mast   |                 |
| 2   | 9000007798 | Bushing     | 4    | □25×28×25.5      |                 |
| 3   | 2400527001 | Bushing     | 2    | □20×23×14        |                 |
| 4   | 9000007942 | Fork        | 2    |                  |                 |
| 5   | 9000007943 | Washer      | 4    |                  |                 |
| 6   | 0000028066 | Split pin   | 2    | 2×12             | GB/T91=ISO1234  |
| 7   | 0090000357 | Short axle  | 2    | 6×50             | GB/T882=ISO2341 |
| 8   | 9000007944 | Nut         | 2    |                  |                 |
| 9   | 0000026035 | Circlip     | 4    | 35               | GB/T894.1       |
| 10  | 9000007945 | Washer      | 8    |                  |                 |
| 11  | 9000011906 | Roller      | 4    |                  |                 |
| 12  | 9000007796 | Bushing     | 2    | □50×55×23        |                 |
| 13  | 0000026003 | Circlip     | 1    | 20               | GB/T894.1       |
| 14  | 9000007956 | Pulley      | 1    |                  |                 |

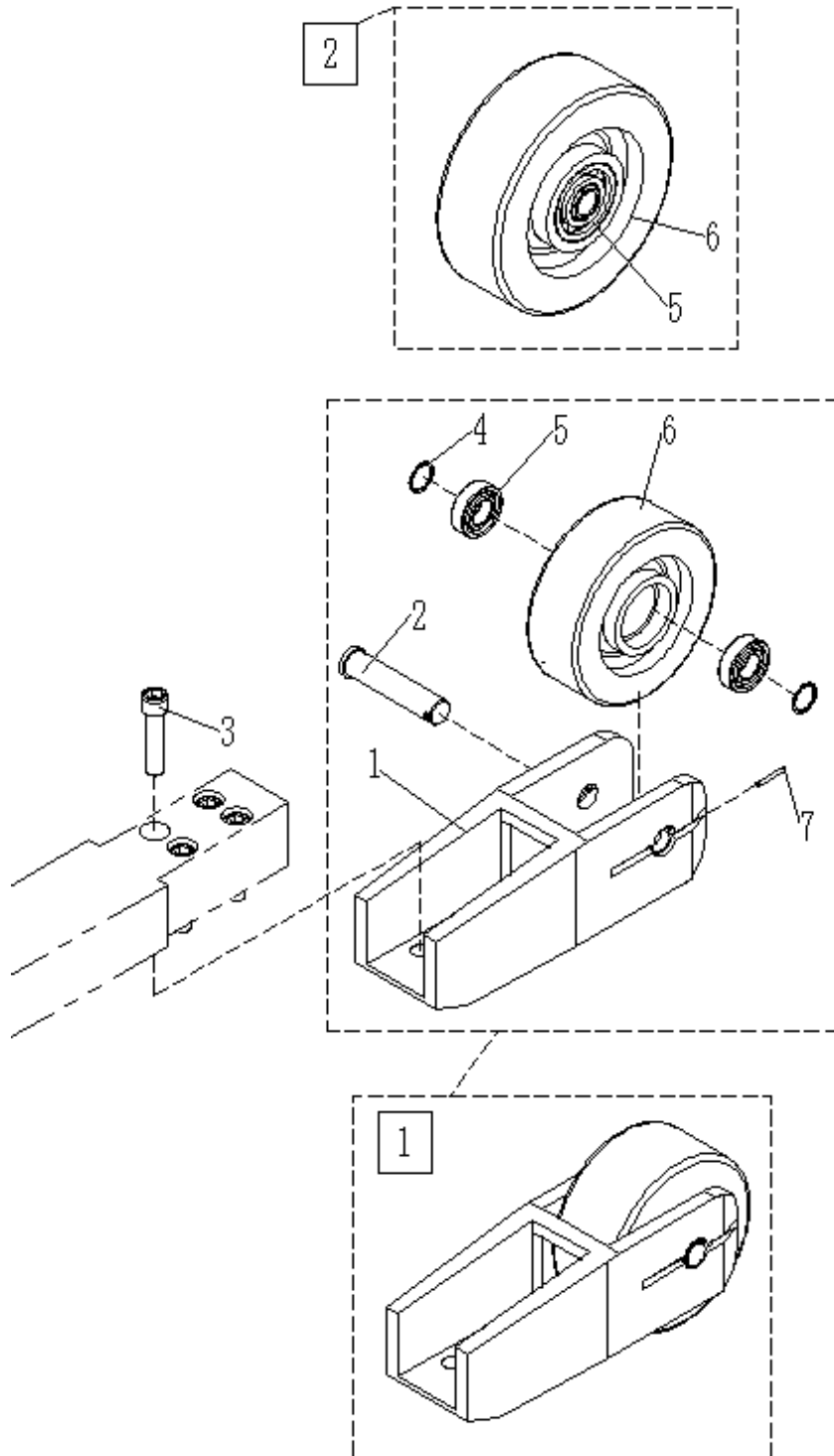
**Fig. 10 Load roller assembly (Tandem)**



**Fig. 10 Load Roller Assembly (Tandem)**

| No.                         | Art No.    | Description          | Qty. | Note      | Standard          |
|-----------------------------|------------|----------------------|------|-----------|-------------------|
| 1                           | 0090000322 | Screw                | 8    | M16×70    | GB/T70.1=ISO4762  |
| 2                           | 9000008038 | Wheel axle           | 4    | Tandem    |                   |
| 3                           | 9000008041 | Linking plate        | 2    | Tandem    |                   |
| 4                           | 0000027001 | Bearing              | 8    | 6204      | GB/T276           |
| 5                           | 0000037024 | Load roller          | 4    | ·102×70   |                   |
| 6                           | 2400527001 | Bushing              | 4    | ·20×23×14 |                   |
| 7                           | 9000008039 | Linking plate        | 2    | Tandem    |                   |
| 8                           | 0000028163 | Dowel pin            | 4    | 4×35      | GB/T879.1=ISO8752 |
| 9                           | 9000008040 | Wheel frame          | 2    | Tandem    |                   |
| <input type="checkbox"/> ,1 | 9000009775 | Load roller assembly | 2    |           |                   |
| <input type="checkbox"/> ,2 | 9000003645 | Load roller assembly | 4    | Tandem    |                   |

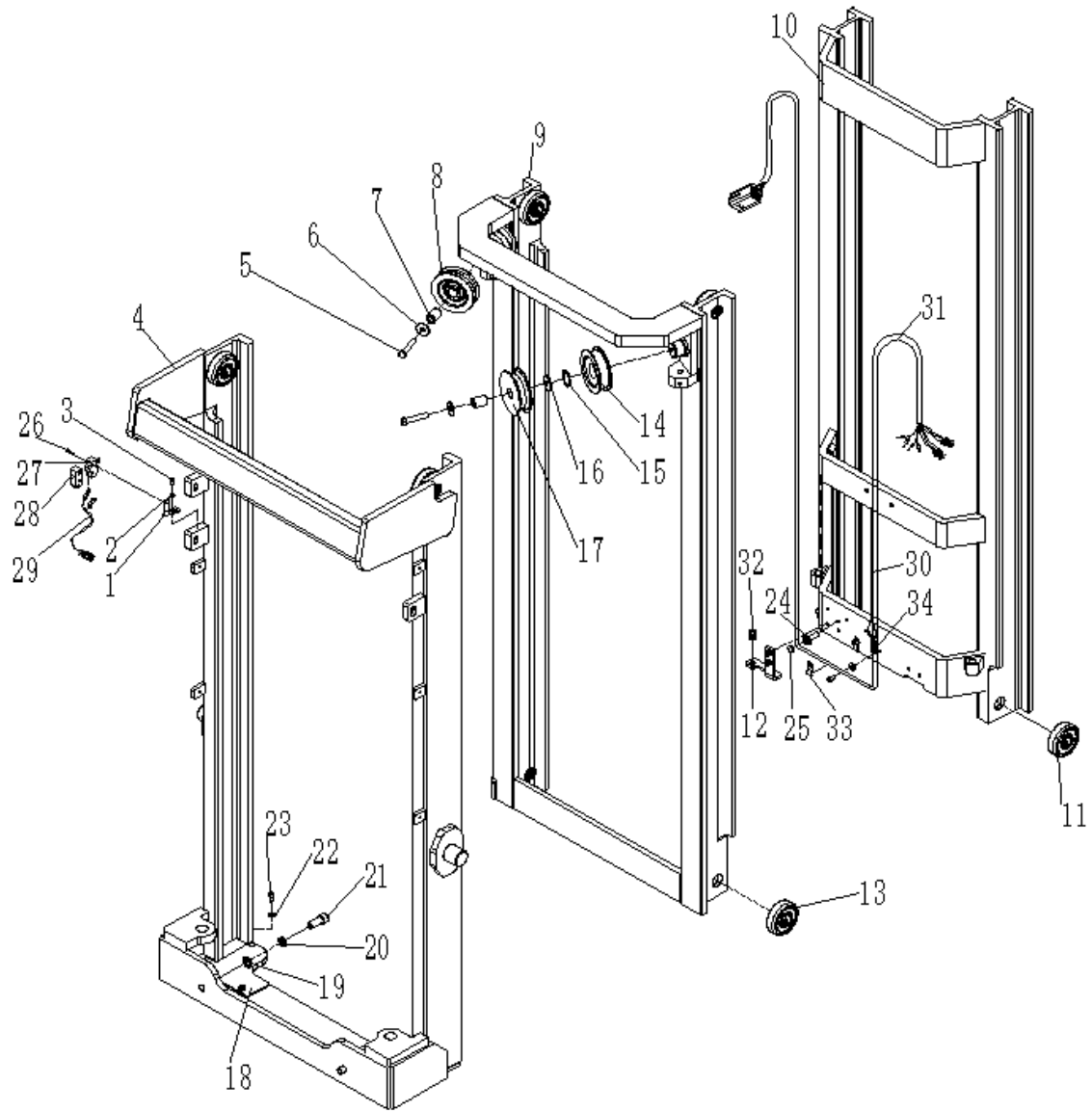
**Fig. 11 Load roller assembly (Single)**



**Fig. 11 Load Roller Assembly (Single)**

| No.                         | Art No.    | Description          | Qty. | Note   | Standard          |
|-----------------------------|------------|----------------------|------|--------|-------------------|
| 1                           | 9000009609 | Wheel frame          | 2    | Single |                   |
| 2                           | 9000009608 | Wheel axle           | 2    | Single |                   |
| 3                           | 0090000322 | Screw                | 8    | M16×70 | GB/T70.1=ISO4762  |
| 4                           | 9000009873 | Washer               | 4    |        |                   |
| 5                           | 0090000546 | Bearing              | 4    | 6307   | GB/T276           |
| 6                           | 9000008225 | Load roller          | 2    | 230X80 |                   |
| 7                           | 0090000545 | Dowel pin            | 2    | 5x65   | GB/T879.1=ISO8752 |
| <input type="checkbox"/> ,1 | 9000009607 | Load roller assembly | 2    |        |                   |
| <input type="checkbox"/> ,2 | 9000003986 | Load roller assembly | 2    | Single |                   |

Fig. 12 Mast assembly (Three-stage-mast)



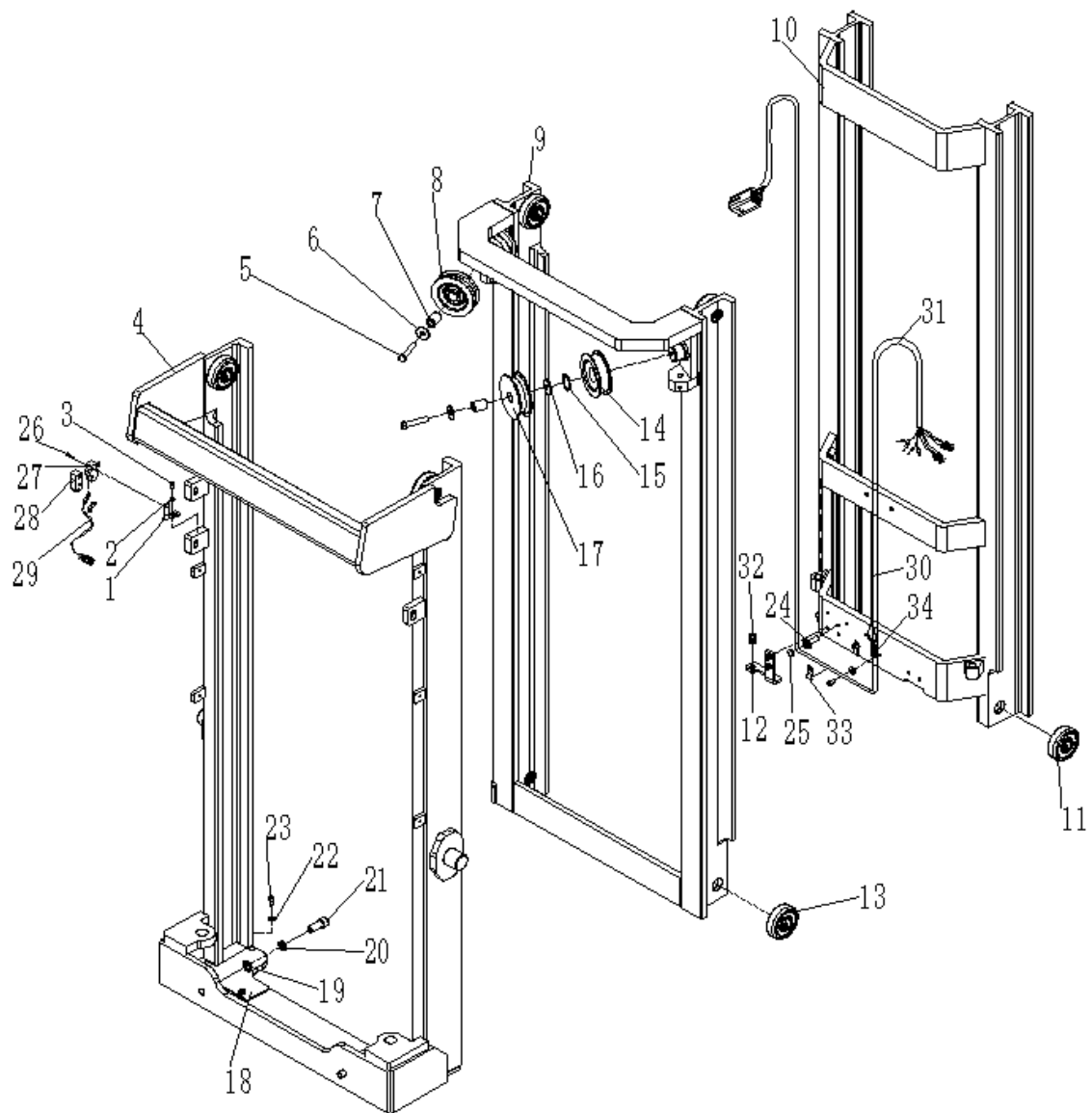
**Fig. 12 Mast Assembly (Three-stage-mast)**

| No. | Art No.    | Description     | Qty. | Note                     | Standard           |
|-----|------------|-----------------|------|--------------------------|--------------------|
| 1   | 9000007966 | Assembly seat   | 1    |                          |                    |
| 2   | 0000023055 | Washer          | 1    | 6                        | GB/T95             |
| 3   | 0000023040 | Screw           | 1    | M6×16                    | GB/T70.1=ISO4762   |
| 4   | 9000007963 | Mast            | 1    | Three-stage-mast<br>4000 |                    |
|     | 9000009577 |                 |      | Three-stage-mast<br>4600 |                    |
|     | 9000009588 |                 |      | Three-stage-mast<br>5000 |                    |
|     | 9000009599 |                 |      | Three-stage-mast5500     |                    |
| 5   | 0090000317 | Bolt            | 2    | M12×65                   | GB/T5783=ISO4017   |
| 6   | 0000025025 | Washer          | 2    | 12                       | GB/T96.1=ISO7093-1 |
| 7   | 9000007965 | Bushing         | 2    |                          |                    |
| 8   | 9000007964 | Pulley          | 1    |                          |                    |
| 9   | 9000007980 | Mast            | 1    | Three-stage-mast<br>4000 |                    |
|     | 9000009579 |                 |      | Three-stage-mast<br>4600 |                    |
|     | 9000009590 |                 |      | Three-stage-mast5000     |                    |
|     | 9000009601 |                 |      | Three-stage-mast5500     |                    |
| 10  | 9000007982 | Mast            | 1    | Three-stage-mast<br>4000 |                    |
|     | 9000009580 |                 |      | Three-stage-mast<br>4600 |                    |
|     | 9000009591 |                 |      | Three-stage-mast5000     |                    |
|     | 9000009602 |                 |      | Three-stage-mast<br>5500 |                    |
| 11  | 3500100005 | Compound roller | 4    |                          |                    |
| 12  | 9000007978 | Cable seat      | 1    |                          |                    |
| 13  | 3500100004 | Compound roller | 4    |                          |                    |
| 14  | 2060610001 | Chain wheel     | 2    |                          |                    |
| 15  | 0000026014 | Circlip         | 2    | 40                       | GB/T894.1          |
| 16  | 9000007987 | Washer          | 2    |                          |                    |
| 17  | 9000007968 | Pulley          | 1    |                          |                    |
| 18  | 9000007979 | Cushion         | 2    |                          |                    |
| 19  | 0000025029 | Washer          | 2    | 16                       | GB/T95             |
| 20  | 0000025059 | Washer          | 2    | 16                       | GB/T93             |
| 21  | 0090000147 | Screw           | 2    | M16×40                   | GB/T70.1=ISO4762   |

|    |            |                                    |    |       |                  |
|----|------------|------------------------------------|----|-------|------------------|
| 22 | 0000025011 | Washer                             | 10 | 8     | GB/T95           |
| 23 | 0000023067 | Screw                              | 10 | M8×16 | GB/T70.1=ISO4762 |
| 24 | 9000008079 | Magnet steel<br>seat               | 1  |       |                  |
| 25 | 2000435002 | Magnet steel                       | 1  |       |                  |
| 26 | 0000023033 | Screw                              | 2  | M4×25 | GB/T70.1=ISO4762 |
| 27 | 2040634001 | Proximity<br>switch                | 1  |       |                  |
| 28 | 2040603002 | Cover                              | 1  |       |                  |
| 29 | 9000008414 | Limit control<br>wiring<br>harness | 1  |       |                  |
| 30 | 9000008681 | Cable<br>bushing                   | 1  |       |                  |



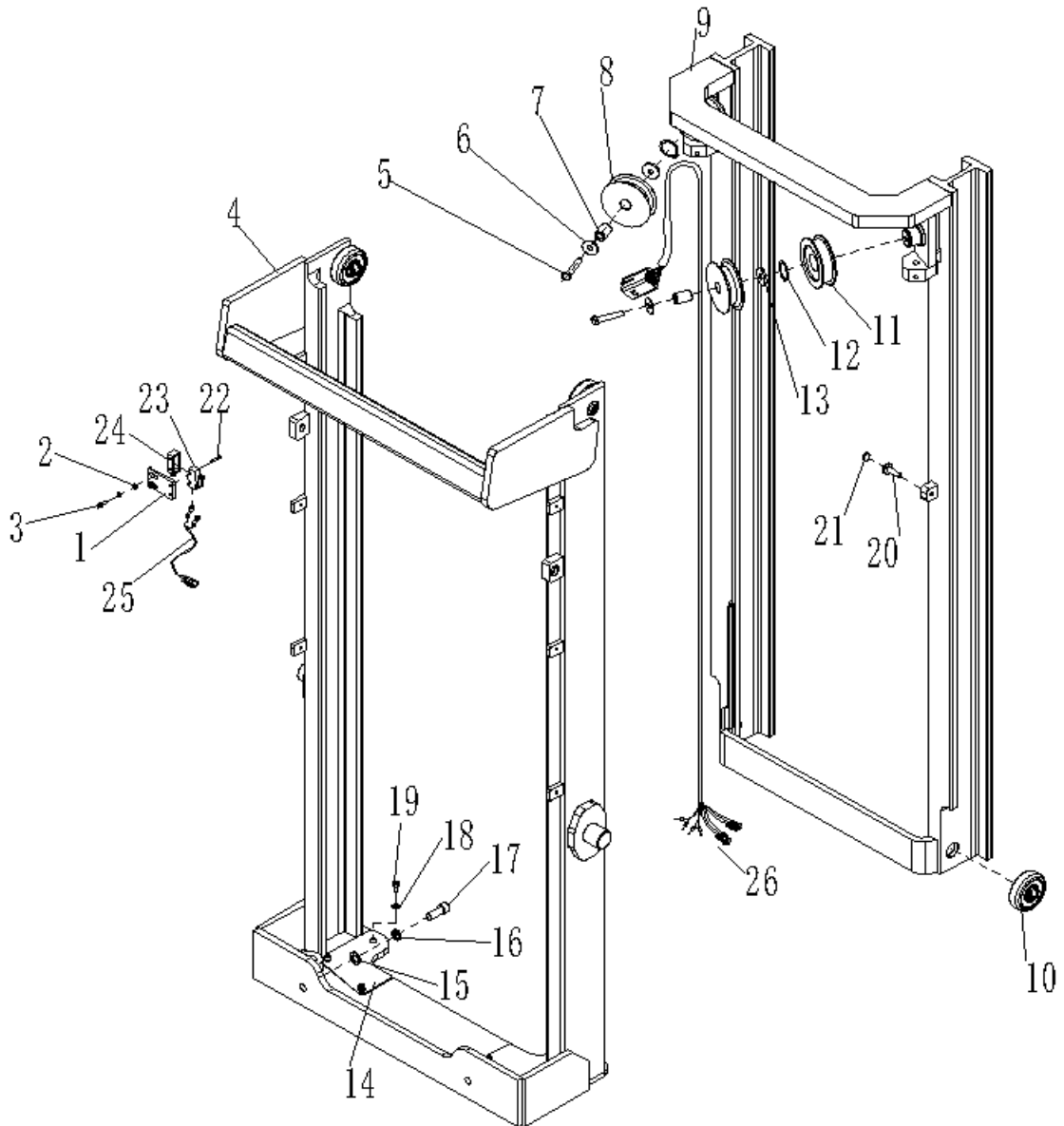
Fig. 12 Mast components (Three-stage-mast)



**Fig. 12 Mast Assembly (Three-stage-mast)**

| No. | Art No.    | Description                           | Qty. | Note |
|-----|------------|---------------------------------------|------|------|
| 31  | 9000008420 | Solenoid valve control wiring harness | 1    |      |
| 32  | 9000008679 | Cable tighten assembly                | 1    |      |
| 33  | 9000009794 | Cable clamp                           | 2    |      |
| 34  | 9000009836 | Spring                                | 1    |      |

Fig. 13 Mast assembly (Two-stage-mast)

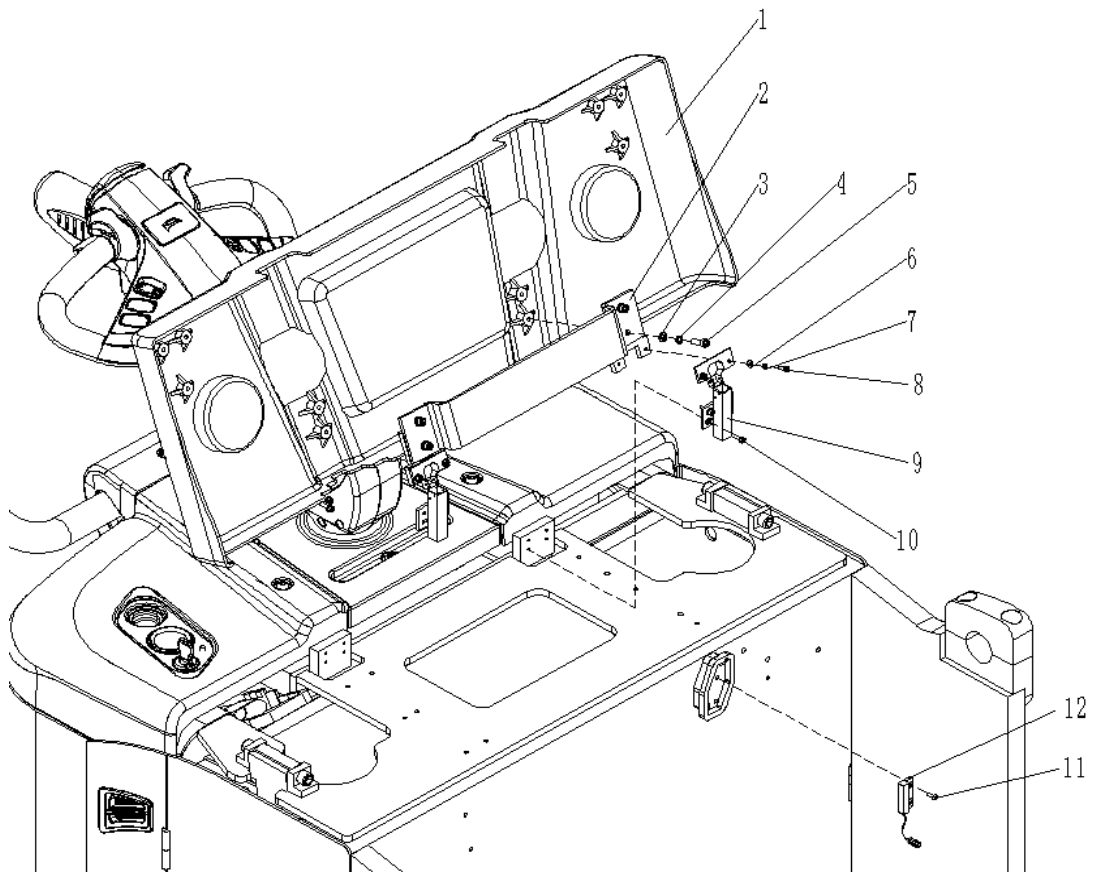


**Fig. 13 Mast Assembly (Two-stage-mast)**

| No. | Art No.    | Description       | Qty. | Note                   | Standard           |
|-----|------------|-------------------|------|------------------------|--------------------|
| 1   | 9000009622 | Assembly seat     | 1    |                        |                    |
| 2   | 0000023055 | Washer            | 2    | 6                      | GB/T95             |
| 3   | 0000023040 | Screw             | 2    | M6x16                  | GB/T70.1=ISO4762   |
| 4   | 9000009620 | Mast              | 1    | Two-stage-mast<br>2900 |                    |
|     | 9000009632 |                   |      | Two-stage-mast<br>3200 |                    |
|     | 9000009641 |                   |      | Two-stage-mast<br>3600 |                    |
| 5   | 0090000317 | Screw             | 2    | M12×65                 | GB/T5783=ISO4017   |
| 6   | 0000025025 | Washer            | 2    | 12                     | GB/T96.1=ISO7093-1 |
| 7   | 9000007965 | Bushing           | 2    |                        |                    |
| 8   | 9000007968 | Pulley            | 2    |                        |                    |
| 9   | 9000009621 | Mast              | 1    | Two-stage-mast<br>2900 |                    |
|     | 9000009624 |                   |      | Two-stage-mast<br>3200 |                    |
|     | 9000009633 |                   |      | Two-stage-mast<br>3600 |                    |
| 10  | 3500100004 | Compound roller   | 4    |                        |                    |
| 11  | 2060610001 | Chain wheel       | 2    |                        |                    |
| 12  | 0000026014 | Circlip           | 2    | 40                     | GB/T894.1          |
| 13  | 9000007987 | Washer            | 2    |                        |                    |
| 14  | 9000009623 | Cushion           | 2    |                        |                    |
| 15  | 0000025029 | Washer            | 2    | 16                     | GB/T95             |
| 16  | 0000025059 | Washer            | 2    | 16                     | GB/T93             |
| 17  | 0090000147 | Screw             | 2    | M16×40                 |                    |
| 18  | 0000025011 | Washer            | 6    | 8                      |                    |
| 19  | 0000023067 | Screw             | 6    | M8×16                  | GB/T70.1=ISO4762   |
| 20  | 9000008079 | Magnet steel seat | 1    |                        |                    |
| 21  | 2000435002 | Magnet steel      | 1    |                        |                    |
| 22  | 0000023033 | Screw             | 2    | M4x25                  | GB/T70.1=ISO4762   |

|    |            |   |   |  |  |
|----|------------|---|---|--|--|
| 23 | 2040634001 | Proximity switch                            | 1 |  |  |
| 24 | 2040603002 | Cover                                       | 1 |  |  |
| 25 | 9000008414 | Limit control wiring<br>harness             | 1 |  |  |
| 26 | 9000009780 | Solenoid valve<br>control wiring<br>harness | 1 |  |  |

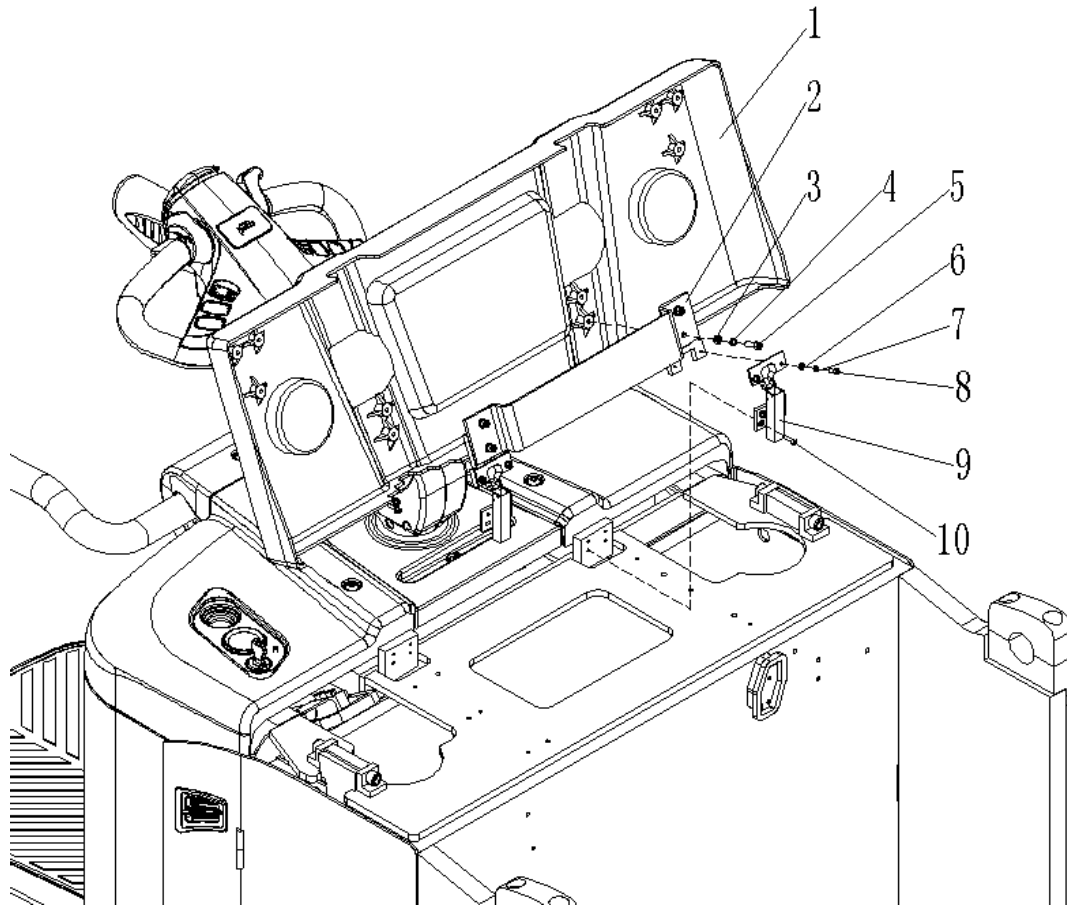
**Fig. 14 Cover structure (Three-stage-mast)**



**Fig. 14 Cover Structure (Three-stage-mast)**

| No. | Art No.    | Description      | Qty. | Note  | Standard         |
|-----|------------|------------------|------|-------|------------------|
| 1   | 9000008008 | Battery cover    | 1    |       |                  |
| 2   | 9000007988 | Connecting frame | 1    |       |                  |
| 3   | 0000023055 | Washer           | 4    | 6     | GB/T95           |
| 4   | 0000025010 | Washer           | 4    | 6     | GB/T93           |
| 5   | 0000023020 | Screw            | 4    | M6×20 | GB/T70.1=ISO4762 |
| 6   | 0000025019 | Washer           | 12   | 4     | GB/T95           |
| 7   | 0000025018 | Washer           | 12   | 4     | GB/T93           |
| 8   | 0000023056 | Screw            | 4    | M4×12 | GB/T70.1=ISO4762 |
| 9   | 9000007804 | Hinge            | 2    |       |                  |
| 10  | 0000023853 | Screw            | 8    | M4×16 | GB/T70.1=ISO4762 |
| 11  | 0090000554 | Screw            | 2    | M3×8  | GB/T70.1=ISO4762 |
| 12  | 9000008332 | Magnet switch    | 1    |       |                  |

**Fig. 15 Cover structure (Two-stage-mast)**

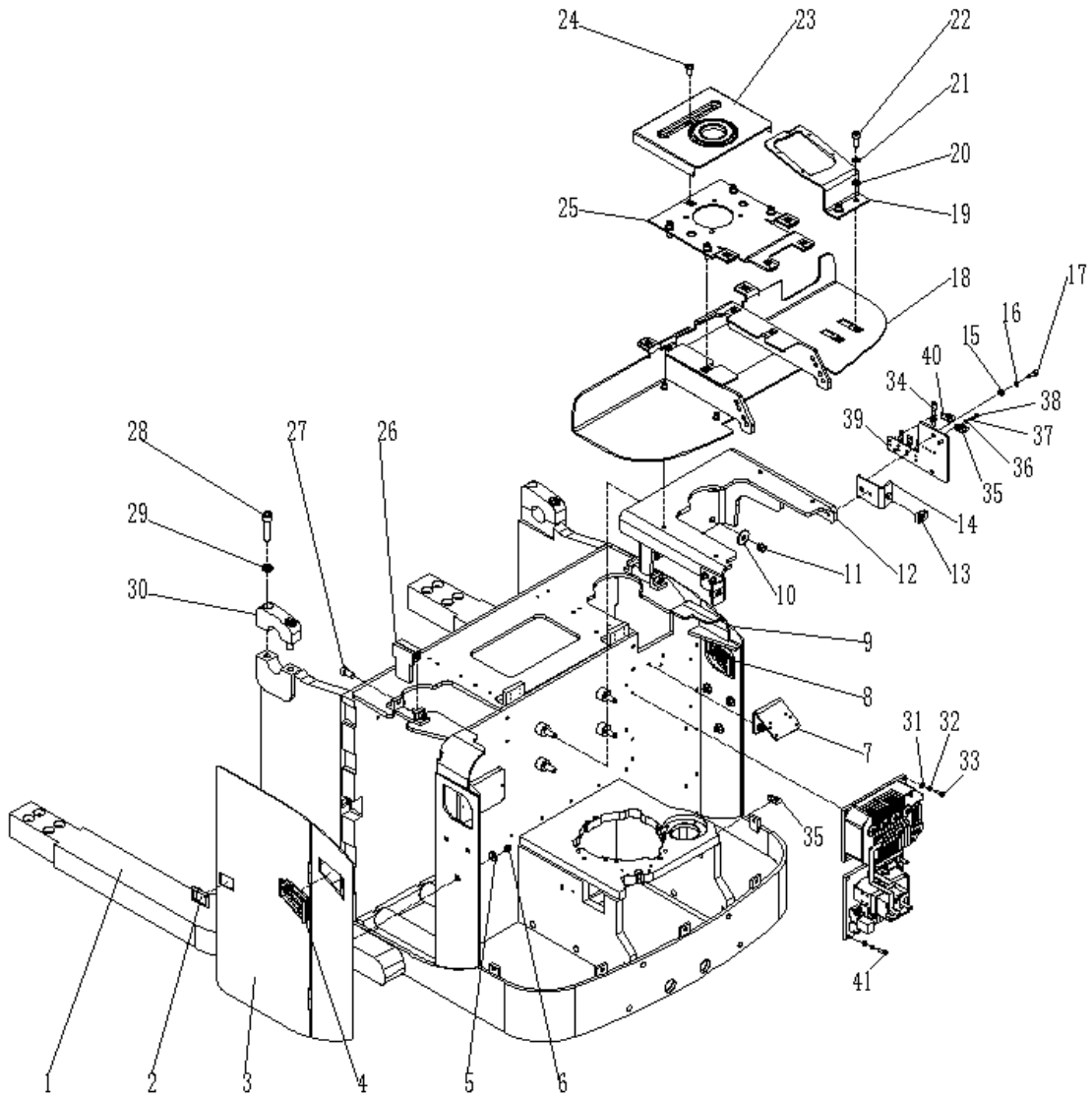




**Fig. 15 Cover Structure (Two-stage-mast)**

| No. | Art No.    | Description      | Qty. | Note  | Standard         |
|-----|------------|------------------|------|-------|------------------|
| 1   | 9000008008 | Battery cover    | 1    |       |                  |
| 2   | 9000007988 | Connecting frame | 1    |       |                  |
| 3   | 0000023055 | Washer           | 4    | 6     | GB/T95           |
| 4   | 0000025010 | Washer           | 4    | 6     | GB/T93           |
| 5   | 0000023020 | Screw            | 4    | M6×20 | GB/T70.1=ISO4762 |
| 6   | 0000025019 | Washer           | 12   | 4     | GB/T95           |
| 7   | 0000025018 | Washer           | 12   | 4     | GB/T93           |
| 8   | 0000023056 | Screw            | 4    | M4×12 | GB/T70.1=ISO4762 |
| 9   | 9000007804 | Hinge            | 2    |       |                  |
| 10  | 0000023853 | Screw            | 8    | M4×16 | GB/T70.1=ISO4762 |

**Fig. 16 Truck body**

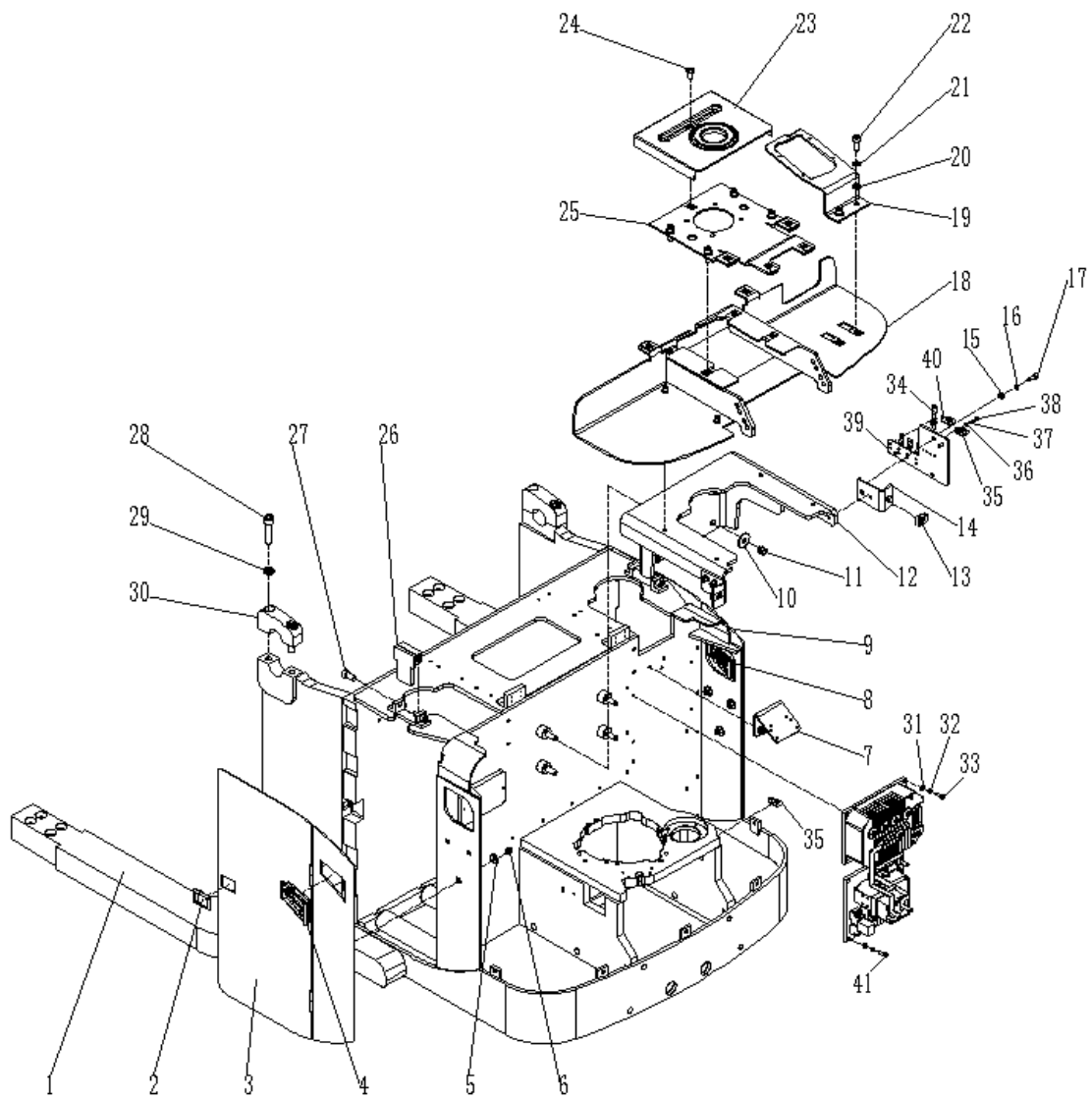


**Fig. 16 Truck Body**

| No. | Art No.    | Description                  | Qty. | Note                          | Standard           |
|-----|------------|------------------------------|------|-------------------------------|--------------------|
| 1   | 9000007992 | Truck body                   | 1    | Truck leg inner<br>width 1270 |                    |
|     | 9000009606 |                              |      | Truck leg inner<br>width 865  |                    |
| 2   | 9000007807 | Lock                         | 2    |                               |                    |
| 3   | 9000008004 | Left door<br>assembly        | 1    |                               |                    |
| 4   | 9000007920 | Left vents<br>assembly       | 1    |                               |                    |
| 5   | 0000025136 | Washer                       | 6    | 8                             | GB/T96.1=ISO7093-1 |
| 6   | 0000024003 | Nut                          | 6    | M8                            | GB/T889.1=ISO7040  |
| 7   | 9000008001 | Linking plate                | 1    |                               |                    |
| 8   | 9000007923 | Right vents<br>assembly      | 1    |                               |                    |
| 9   | 9000008005 | Right door<br>assembly       | 1    |                               |                    |
| 10  | 0000025025 | Washer                       | 4    | 12                            | GB/T96.1=ISO7093-1 |
| 11  | 0000024006 | Nut                          | 4    | M12                           | GB/T889.1=ISO7040  |
| 12  | 9000008000 | Support linking<br>seat      | 1    |                               |                    |
| 13  | 9000007783 | Nut                          | 15   | M10                           |                    |
| 14  | 9000007999 | Main cover<br>linking seat   | 2    |                               |                    |
| 15  | 0000025011 | Washer                       | 10   | 8                             | GB/T95             |
| 16  | 0000025001 | Washer                       | 10   | 8                             | GB/T93             |
| 17  | 0000023047 | Screw                        | 4    | M8×25                         | GB/T70.1=ISO4762   |
| 18  | 9000007997 | Upper cover<br>linking frame | 1    |                               |                    |
| 19  | 9000007998 | Indicator plate              | 1    |                               |                    |
| 20  | 0000025002 | Washer                       | 10   | 10                            | GB/T95             |
| 21  | 0000023006 | Washer                       | 10   | 10                            | GB/T95             |
| 22  | 0000023158 | Screw                        | 10   | M10×30                        | GB/T70.1=ISO4762   |

|    |            |                                  |   |        |                  |
|----|------------|----------------------------------|---|--------|------------------|
| 23 | 9000007995 | Middle cover                     | 1 |        |                  |
| 24 | 9000007791 | Screw                            | 1 | M10×35 |                  |
| 25 | 9000009999 | Handle support<br>plate assembly | 1 |        |                  |
| 26 | 9000008006 | Battery baffle                   | 2 |        |                  |
| 27 | 9000008007 | Battery baffle<br>rotating axle  | 4 |        |                  |
| 28 | 0000023598 | Screw                            | 4 | M16×60 | GB/T70.1=ISO4762 |
| 29 | 0000025059 | Washer                           | 4 | 16     | GB/T93           |
| 30 | 9000008003 | Mast axle<br>pressing plate      | 2 |        |                  |

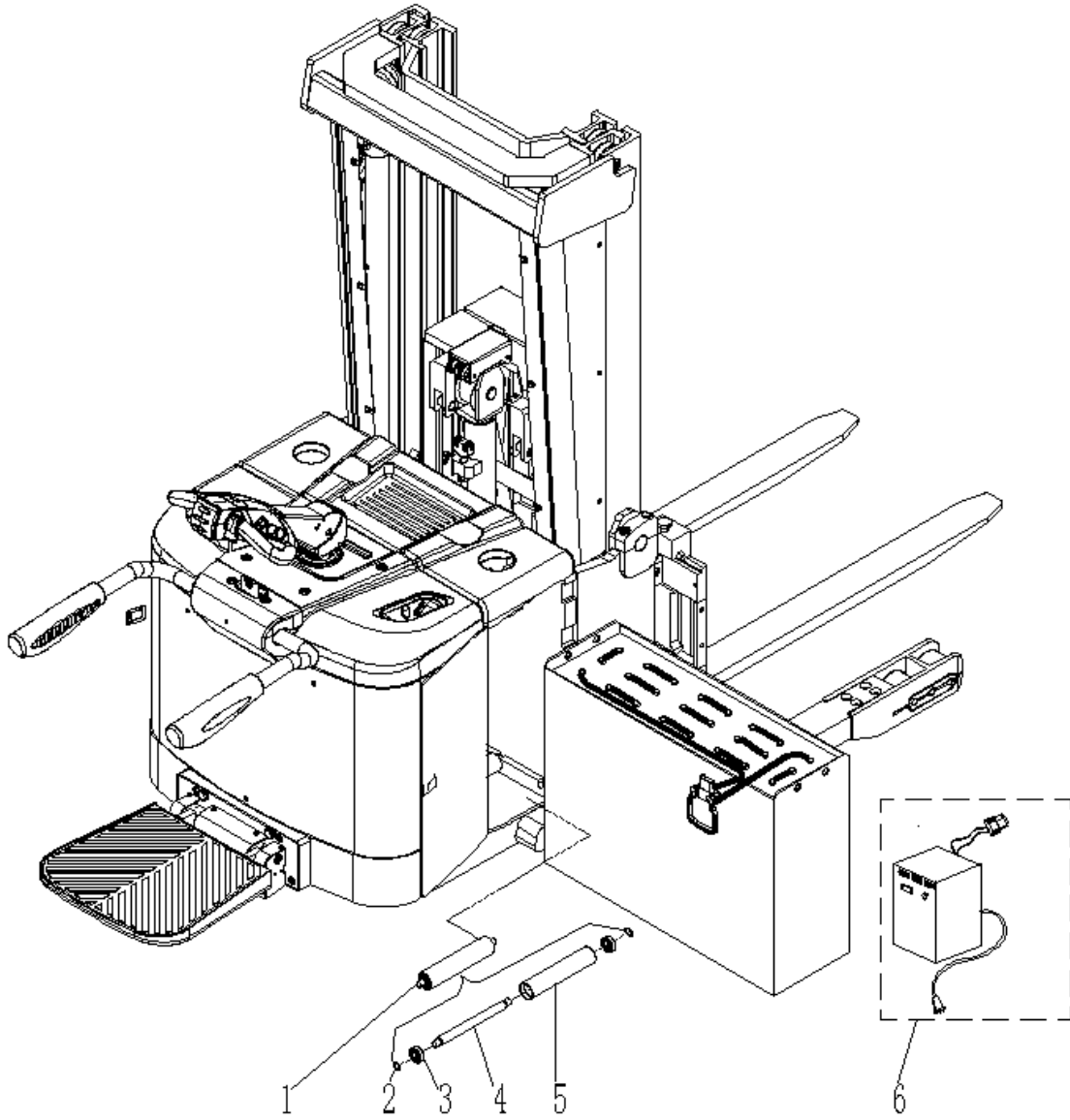
Fig. 16 Truck body



**Fig. 16 Truck Body**

| No. | Art No.    | Description    | Qty. | Note  | Standard         |
|-----|------------|----------------|------|-------|------------------|
| 31  | 0000023055 | Washer         | 4    | 6     | GB/T95           |
| 32  | 0000025010 | Washer         | 4    | 6     | GB/T93           |
| 33  | 0000023020 | Screw          | 4    | M6×20 | GB/T70.1=ISO4762 |
| 34  | 1000204002 | Connector seat | 4    |       |                  |
| 35  | 9000008882 | Fixing frame   | 2    |       |                  |
| 36  | 0000025019 | Washer         | 12   | 4     | GB/T95           |
| 37  | 0000025018 | Washer         | 12   | 4     | GB/T93           |
| 38  | 0000023073 | Screw          | 12   | M4×10 | GB/T70.1=ISO4762 |
| 39  | 9000008424 | Fixing plate   | 1    |       |                  |
| 40  | 1010404005 | Fixing frame   | 1    |       |                  |
| 41  | 0000023044 | Screw          | 6    | M8×20 | GB/T70.1=ISO4762 |

Fig. 17 Roller assembly

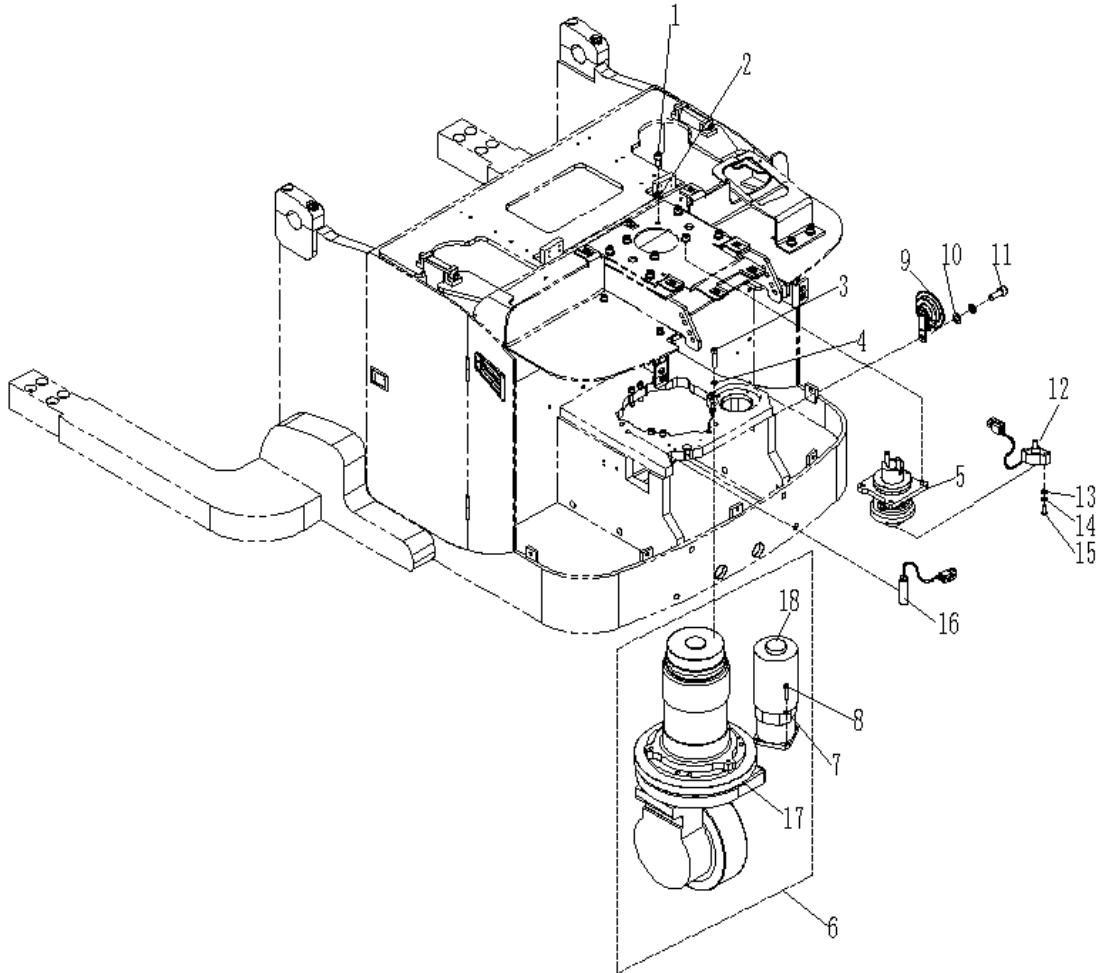


**Fig. 17 Roller Assembly**

| No. | Art No.    | Description                      | Qty. | Note         | Standard  |
|-----|------------|----------------------------------|------|--------------|-----------|
| 1   | 9000007989 | Roller                           | 6    |              |           |
| 2   | 0000026004 | Circlip                          | 12   | 15           | GB/T894.1 |
| 3   | 0000027060 | Bearing                          | 12   | 6202         | GB/T276   |
| 4   | 9000007990 | Axle                             | 6    |              |           |
| 5   | 9000007991 | Barrel                           | 6    |              |           |
| 6   | 9000010013 | Charger 24V/55A(For USA)         | 1    | 400Ahbattery |           |
|     | 9000010008 | Charger 24V/55A(Asia in Chinese) |      |              |           |
|     | 9000010009 | Charger 24V/55A(Asia in English) |      |              |           |
|     | 9000010010 | Charger 24V/55A(For EU)          |      |              |           |
|     | 9000010011 | Charger 24V/55A(For AUS)         |      |              |           |
|     | 9000010012 | Charger 24V/55A(For UK)          |      |              |           |
|     | 9000010248 | Charger 24V/65A(For USA)         | 1    | 480Ahbattery |           |
|     | 9000010243 | Charger 24V/65A(Asia in Chinese) |      |              |           |
|     | 9000010244 | Charger 24V/65A(Asia in English) |      |              |           |
|     | 9000010245 | Charger 24V/65A(For EU)          |      |              |           |
|     | 9000010246 | Charger 24V/65A(For AUS)         |      |              |           |
|     | 9000010247 | Charger 24V/65A(For UK)          |      |              |           |



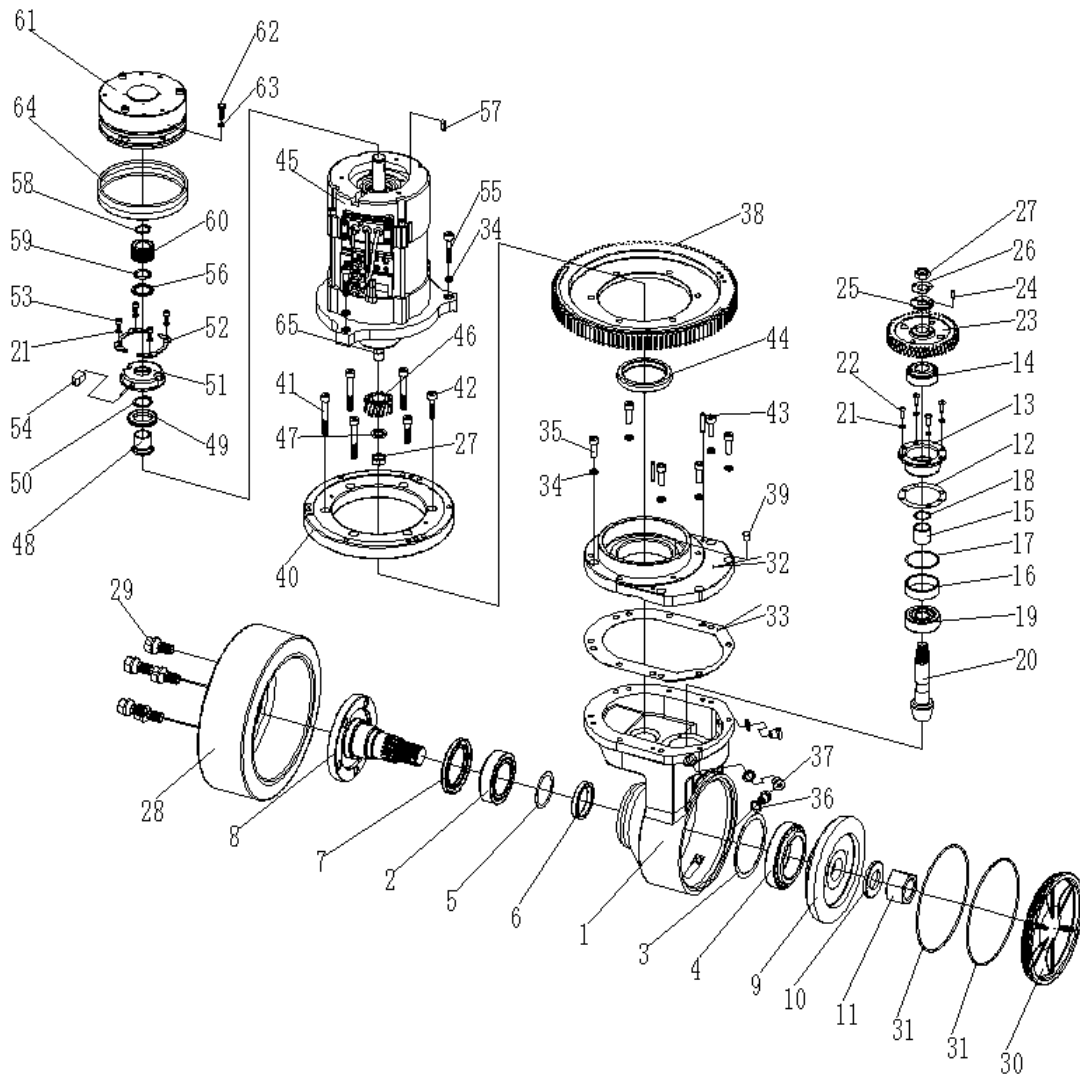
Fig. 18 Drive system



**Fig. 18 Drive System**

| No | Art No.    | Description                  | Qty. | Note                         | Standard         |
|----|------------|------------------------------|------|------------------------------|------------------|
| 1  | 0000023034 | Screw                        | 4    | M10×20                       | GB/T70.1=ISO4762 |
| 2  | 0000025002 | Washer                       | 4    | 10                           | GB/T95           |
| 3  | 0000023077 | Screw                        | 6    | M8×40                        | GB/T70.1=ISO4762 |
| 4  | 0000025001 | Washer                       | 6    | 8                            | GB/T93           |
| 5  | 9000008734 | Electrical steering assembly | 1    |                              |                  |
| 6  | 9000010300 | AC Drive DC Steering         | 1    |                              |                  |
| 7  | 0000025010 | Washer                       | 4    | 6                            | GB/T93           |
| 8  | 0000023020 | Screw                        | 4    | M6×20                        | GB/T70.1=ISO4762 |
| 9  | 1000434015 | Horn                         | 1    | DC24V                        |                  |
| 10 | 0000025011 | Washer                       | 1    | 8                            | GB/T95           |
| 11 | 0000023089 | Screw                        | 1    | M8×12                        | GB/T70.1=ISO4762 |
| 12 | 9000010209 | Sensor                       | 1    | PSC360-F2AA-C0096-ERA200-05E |                  |
| 13 | 0000025019 | Washer                       | 2    | 4                            | GB/T95           |
| 14 | 0000025018 | Washer                       | 2    | 4                            | GB/T93           |
| 15 | 0000023050 | Screw                        | 2    | M4x22                        | GB/T818=ISO7045  |
| 16 | 9000008644 | Proximity switch             | 1    | NBB4-12GM50-E0               |                  |
| 17 | 9000012077 | Driving unit                 | 1    |                              |                  |
| 18 | 9000012078 | Steering unit                | 1    |                              |                  |

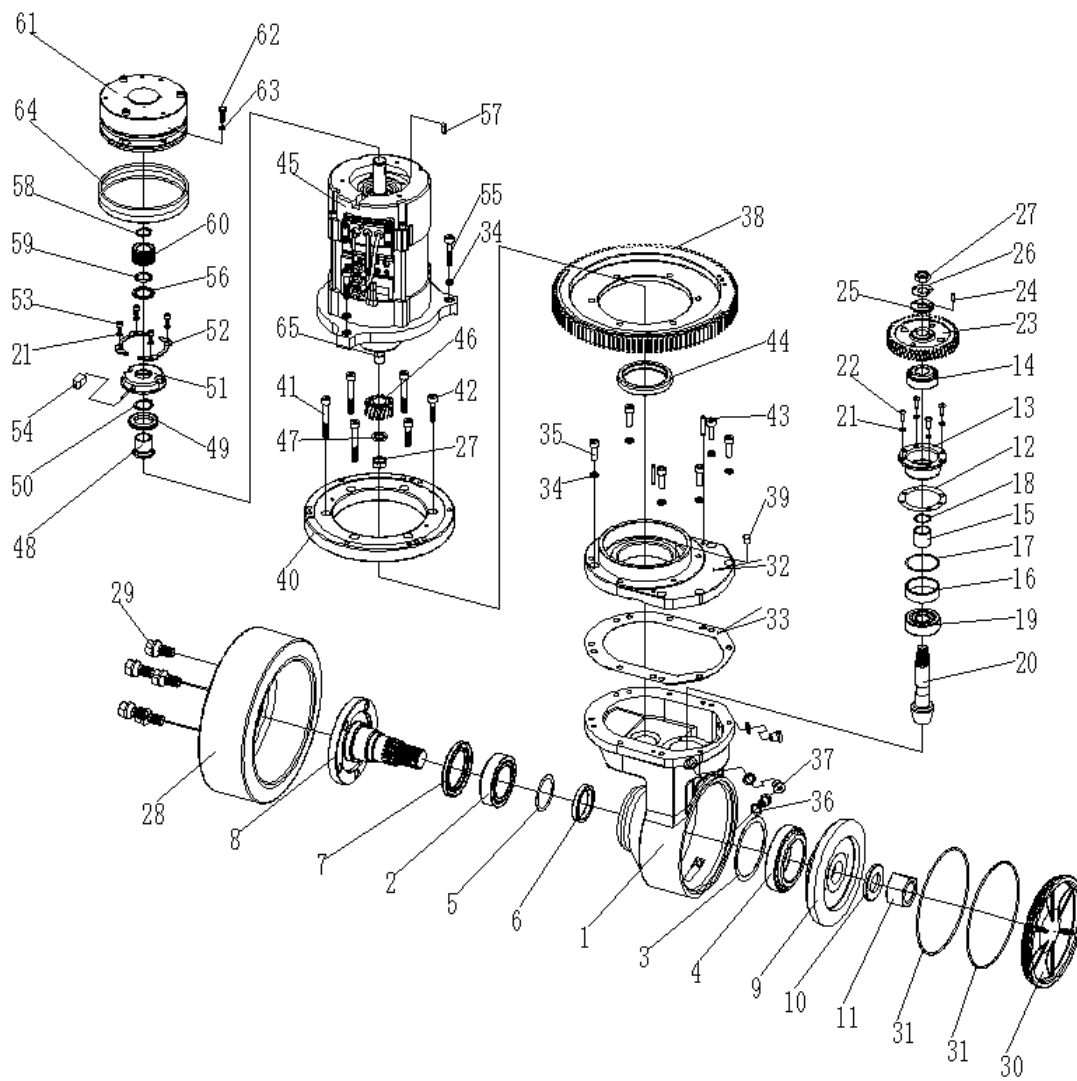
**Fig.19 Drive unit (28ELA-AC-1.6KW)**



**Fig. 19 Drive Unit (28ELA-AC-1.6KW)**

| No. | Art No.    | Description  | Qty. | Note     | Standard             |
|-----|------------|--------------|------|----------|----------------------|
| 1   | 9000009730 | Gear box     | 1    |          |                      |
| 2   | 0090000519 | Bearing      | 1    | 33010    | GB/T297              |
| 3   | 9000009731 | Washer       | 1    |          |                      |
| 4   | 0090000145 | Bearing      | 1    | 32013    | GB/T297              |
| 5   | 9000009732 | Washer       | 1    |          |                      |
| 6   | 9000009733 | Bushing      | 1    |          |                      |
| 7   | 0090000520 | Oil seal     | 1    | 60×85×8  | GB/T9877             |
| 8   | 9000009734 | Drive wheel  | 1    |          |                      |
| 9   | 9000009735 | Gear         | 1    |          |                      |
| 10  | 9000009736 | Lock washer  | 1    |          |                      |
| 11  | 0090000527 | Nut          | 1    | M30×2    | GB/T6176=ISO8674     |
| 12  | 9000009737 | Washer       | 1    |          |                      |
| 13  | 9000009507 | Bearing seat | 1    |          |                      |
| 14  | 0090000503 | Bearing      | 1    | 32204    | GB/T297              |
| 15  | 9000009504 | Inner sleeve | 1    |          |                      |
| 16  | 9000009503 | Outer sleeve | 1    |          |                      |
| 17  | 9000009505 | Washer       | 1    |          |                      |
| 18  | 9000009506 | Washer       | 1    |          |                      |
| 19  | 0090000502 | Bearing      | 1    | 32304    | GB/T297              |
| 20  | 9000009738 | Gear         | 1    |          |                      |
| 21  | 0000025015 | Washer       | 8    | 5        | GB/T93               |
| 22  | 0000023675 | Screw        | 4    | M5×16    | GB/T70.2=ISO7380     |
| 23  | 9000009739 | Gear         | 1    |          |                      |
| 24  | 0090000117 | Dowel pin    | 1    | 4×12     | GB/T119.1=ISO2338    |
| 25  | 9000009509 | Washer       | 1    |          |                      |
| 26  | 0000025066 | Washer       | 1    | 14       | GB/T856              |
| 27  | 0090000090 | Nut          | 2    | M14x1.5  | GB/T6173=ISO8675     |
| 28  | 2390200005 | Drive wheel  | 1    |          |                      |
| 29  | 2390223001 | Screw        | 5    |          |                      |
| 30  | 9000009740 | Side cover   | 1    |          |                      |
| 31  | 0090000521 | Seal washer  | 2    | 160×2.65 | GB/T3452.1=ISO3601-1 |

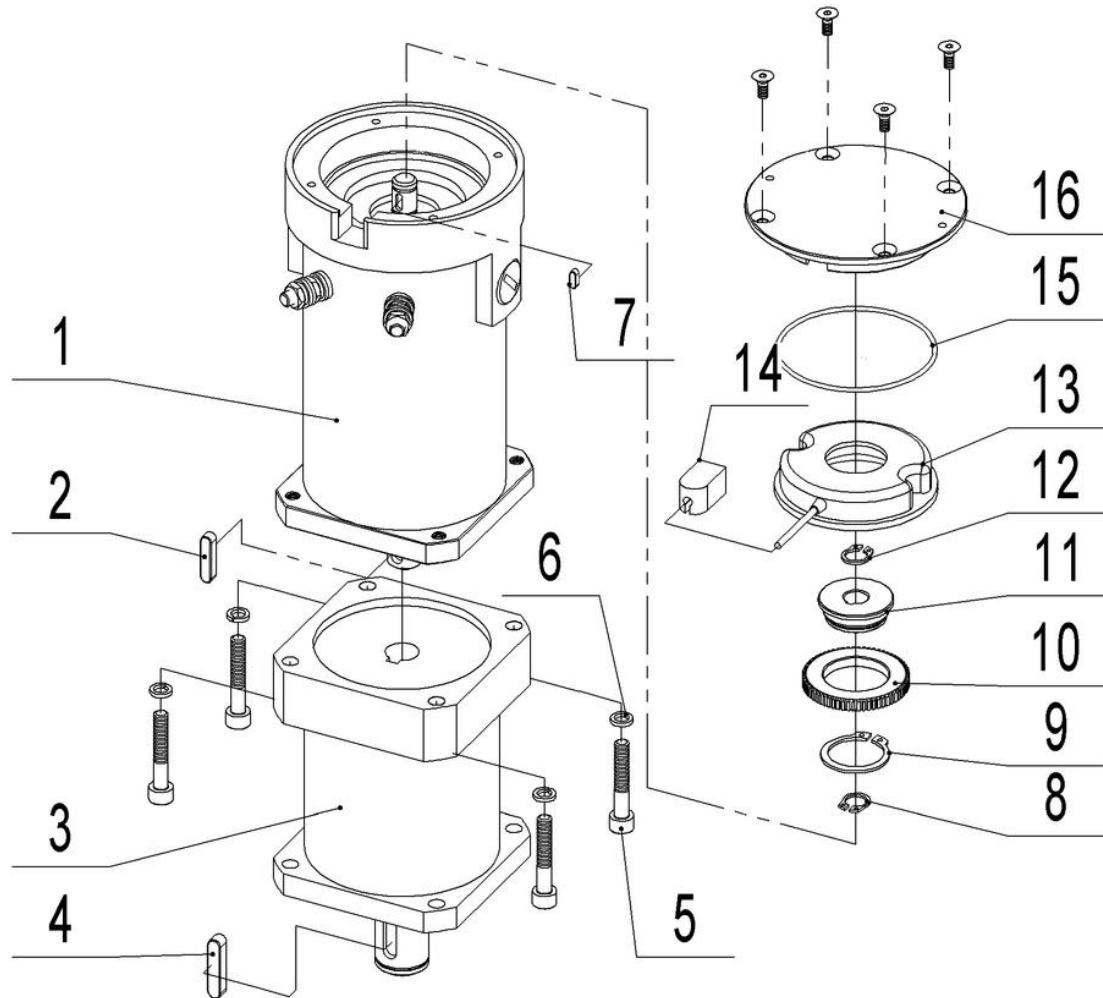
**Fig. 19 Drive unit (28ELA-AC-1.6KW)**



**Fig. 19 Drive Unit (28ELA-AC-1.6KW)**

| No. | Art No.    | Description      | Qty. | Note     | Standard             |
|-----|------------|------------------|------|----------|----------------------|
| 32  | 9000009741 | Upper cover      | 1    |          |                      |
| 33  | 9000009742 | Paper washer     | 1    |          |                      |
| 34  | 0000025001 | Washer           | 9    | 8        | GB/T93               |
| 35  | 0000023047 | Screw            | 6    | M8×25    | GB/T70.1=ISO4762     |
| 36  | 0000022036 | Washer           | 3    | 12       | JB/T982              |
| 37  | 0090000506 | Plug             | 3    | M12×1.25 | JB/ZQ4444            |
| 38  | 9000012079 | Gear             | 1    |          |                      |
| 39  | 9000009744 | Vent plug        | 1    |          |                      |
| 40  | 9000009745 | Pivoting support | 1    |          |                      |
| 41  | 0090000525 | Screw            | 4    | M8×60    | GB/T70.1=ISO4762     |
| 42  | 0000023455 | Screw            | 2    | M8×35    | GB/T70.1=ISO4762     |
| 43  | 0000028027 | Dowel pin        | 2    | 6×30     | GB/T119.1=ISO2338    |
| 44  | 0090000151 | Oil seal         | 1    | 65×82×12 | GB/T9877             |
| 45  | 9000009746 | Motor            | 1    |          |                      |
| 46  | 9000009747 | Gear             | 1    |          |                      |
| 47  | 0090000522 | Washer           | 1    | 14       | GB/T859              |
| 48  | 9000009748 | Sleeve           | 1    |          |                      |
| 49  | 9000009523 | Gear             | 1    |          |                      |
| 50  | 0000026013 | Circlip          | 1    | 25       | GB/T894.1            |
| 51  | 9000009524 | Sensor           | 1    |          |                      |
| 52  | 9000009522 | Flange           | 2    |          |                      |
| 53  | 0000023311 | Screw            | 4    | M5×10    |                      |
| 54  | 9000008854 | Bushing          | 1    |          |                      |
| 55  | 0000023077 | Screw            | 3    | M8×40    | GB/T70.1=ISO4762     |
| 56  | 9000009525 | Spacer           | 1    |          |                      |
| 57  | 0000036001 | Flat key         | 1    | 6×16     | GB/T1096             |
| 58  | 0000026003 | Circlip          | 1    | 20       | GB/T894.1            |
| 59  | 0000022059 | Seal ring        | 1    | 20×2.65  | GB/T3452.1=ISO3601-1 |
| 60  | 9000009749 | Bushing          | 1    |          |                      |
| 61  | 9000009750 | Break            | 1    |          |                      |
| 62  | 0090000526 | Bolt             | 3    | M6×20    | GB/T5782=ISO4014     |
| 63  | 0000025010 | Washer           | 3    | 6        | GB/T93               |
| 64  | 9000009521 | Dust cover       | 1    |          |                      |
| 65  | 0090000523 | Key              | 1    | 4×6.5×16 | GB/T1099             |

Fig.20 Steering unit (ST DC 2032W)

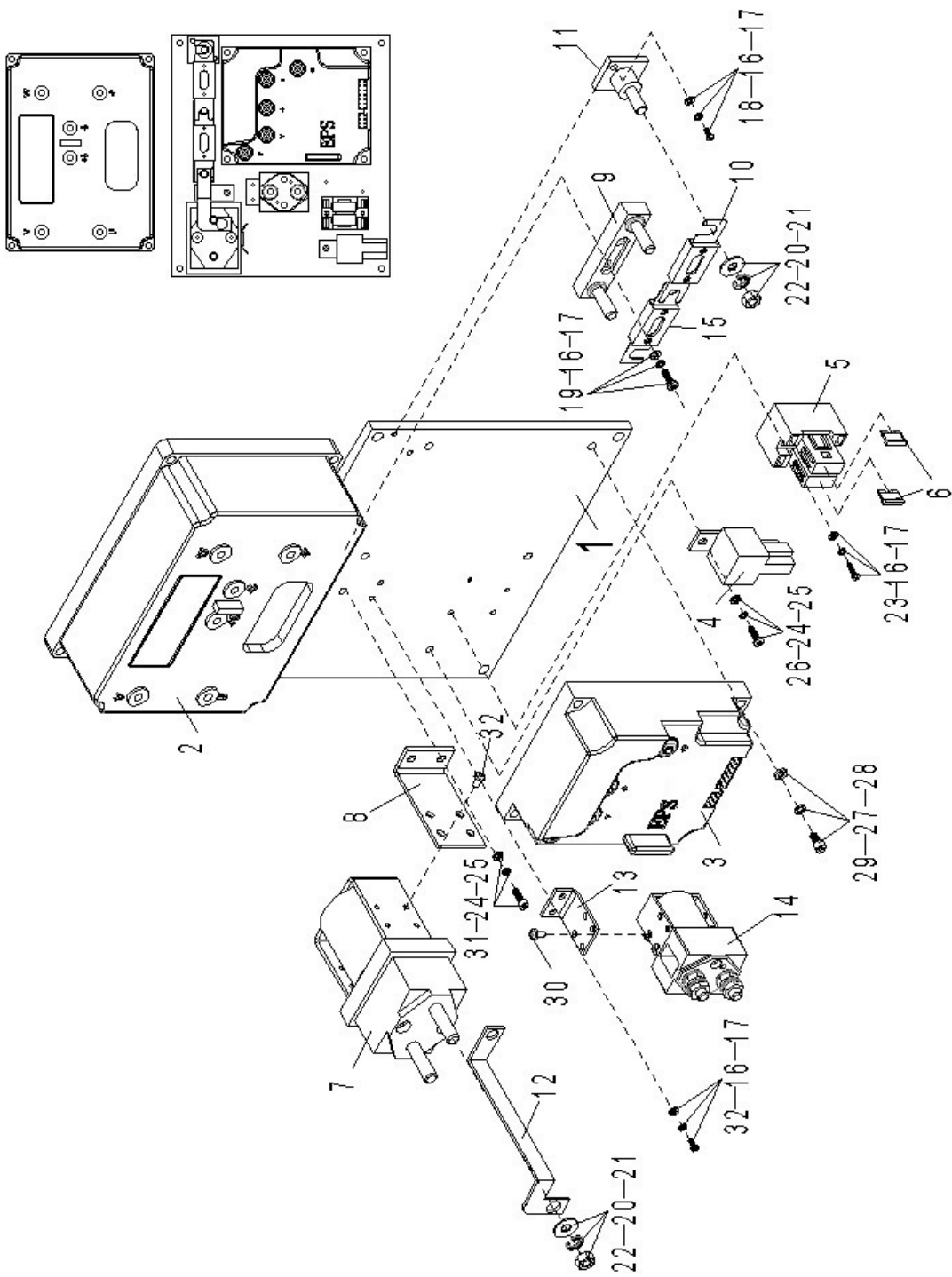


**Fig. 20 Steering Unit (STDC 2032W)**

| No. | Art No.    | Description        | Qty. | Note   | Standard             |
|-----|------------|--------------------|------|--------|----------------------|
| 1   | 9000012080 | Motor              | 1    |        |                      |
| 2   | 0090000524 | Flat key           | 1    | 5x22   | GB/T1096             |
| 3   | 9000009751 | Speed reducer      | 1    |        |                      |
| 4   | 0090000118 | Flat key           | 1    | 6x28   | GB/T1096             |
| 5   | 0000023090 | Screw              | 4    | M6x35  | GB/T70.1=ISO4762     |
| 6   | 0000025010 | Washer             | 4    | 6      | GB/T93               |
| 7   | 0090000773 | Flat key           | 1    | 3x8    | GB/T1096             |
| 8   | 0000026041 | Circlip            | 2    | 10     | GB/T894.1            |
| 9   | 0000026013 | Circlip            | 1    | 25     | GB/T894.1            |
| 10  | 9000009523 | Speed sensor gear  | 1    |        |                      |
| 11  | 9000012081 | Sleeve             | 1    |        |                      |
| 12  | 9000009524 | Speed sensor       | 1    |        |                      |
| 13  | 9000008854 | Bushing            | 1    |        |                      |
| 14  | 0090000294 | O rubber seal ring | 1    | 63x1.8 | GB/T3452.1=ISO3601-1 |
| 15  | 9000008853 | Protective cover   | 1    |        |                      |
| 16  | 0090000473 | Screw              | 4    | M4x10  | GB/T70.3=ISO10642    |



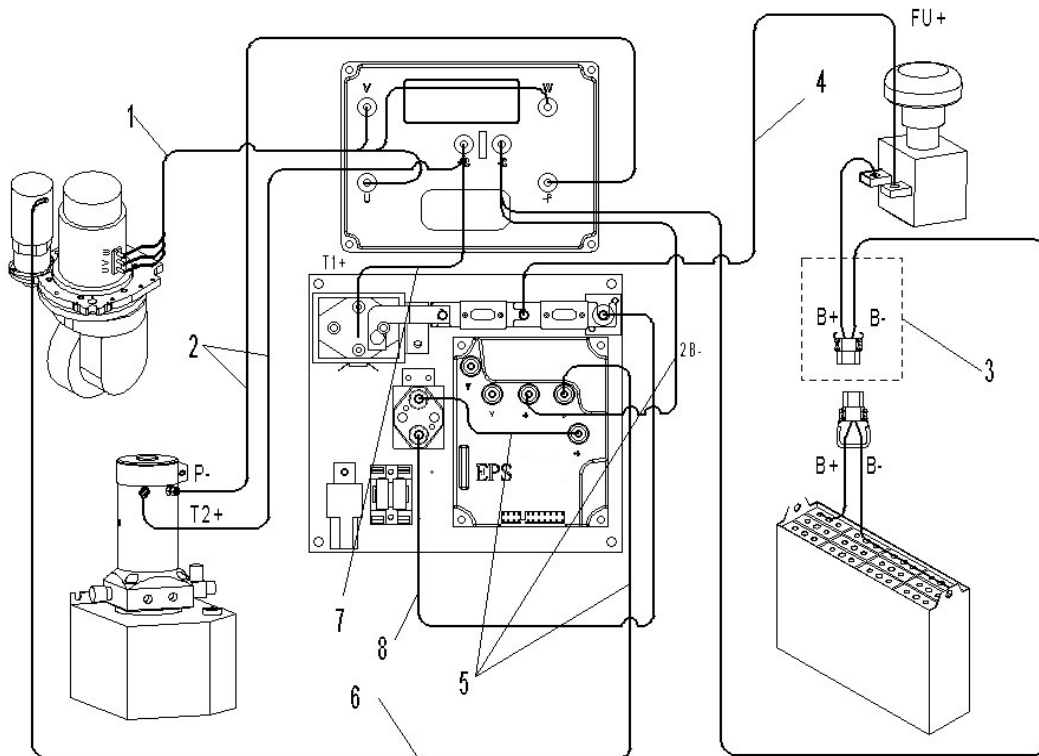
Fig. 21 Controller assembly



**Fig. 21 Controller Assembly**

| No. | Art No.    | Description    | Qty. | Note          | Standard         |
|-----|------------|----------------|------|---------------|------------------|
| 1   | 9000008002 | Assembly plate | 1    |               |                  |
| 2   | 9000009439 | Controller     | 1    |               |                  |
| 3   | 9000000236 | Controller     | 1    | BD-SC-24/10   |                  |
|     | 9000008584 |                |      | BD-SC-24/10-3 |                  |
| 4   | 1000434041 | Pump contactor | 1    |               |                  |
| 5   | 9000008586 | Fuse seat      | 1    | BD-2X10A-1    |                  |
| 6   | 1000434040 | Fuse           | 2    | 10A           |                  |
| 7   | 9000008636 | Contactor      | 1    |               |                  |
| 8   | 9000007993 | Assembly plate | 1    |               |                  |
| 9   | 1000434007 | Fuse seat      | 1    |               |                  |
| 10  | 9000008635 | Fuse           | 1    | 350A          |                  |
| 11  | 0000023070 | Screw          | 2    | M3×25         | GB/T70.1=ISO4762 |
| 12  | 9000008422 | Copper bar     | 1    |               |                  |
| 13  | 0000025018 | Washer         | 4    | 4             | GB/T93           |
| 14  | 0000025019 | Washer         | 4    | 4             | GB/T95           |
| 15  | 0000023211 | Screw          | 2    | M4×16         | GB/T818=ISO7045  |
| 16  | 0090000082 | Screw          | 2    | M4×30         | GB/T70.1=ISO4762 |
| 17  | 0000023019 | Screw          | 2    | M4×30         | GB/T818=ISO7045  |
| 18  | 1000434021 | Fuse seat      | 1    | BD-1×10A      |                  |
| 19  | 0000025015 | Washer         | 3    | 5             | GB/T93           |
| 20  | 0000025014 | Washer         | 3    | 5             | GB/T95           |
| 21  | 0000023039 | Screw          | 3    | M5×12         | GB/T818=ISO7045  |
| 22  | 0000023716 | Screw          | 1    | M5×6          | GB/T818=ISO7045  |
| 23  | 0000025001 | Washer         | 2    | 8             | GB/T93           |
| 24  | 0000025011 | Washer         | 2    | 8             | GB/T95           |
| 25  | 0000024086 | Nut            | 2    | M8            | GB/T6170=ISO4032 |
| 26  | 3042434014 | Fuse           | 1    | 15A           |                  |
| 27  | 0000025041 | Washer         | 2    | 10            | GB/T93           |
| 28  | 0000025106 | Washer         | 2    | 10            | GB/T95           |
| 29  | 0000024091 | Nut            | 2    | M10           | GB/T6170=ISO4032 |

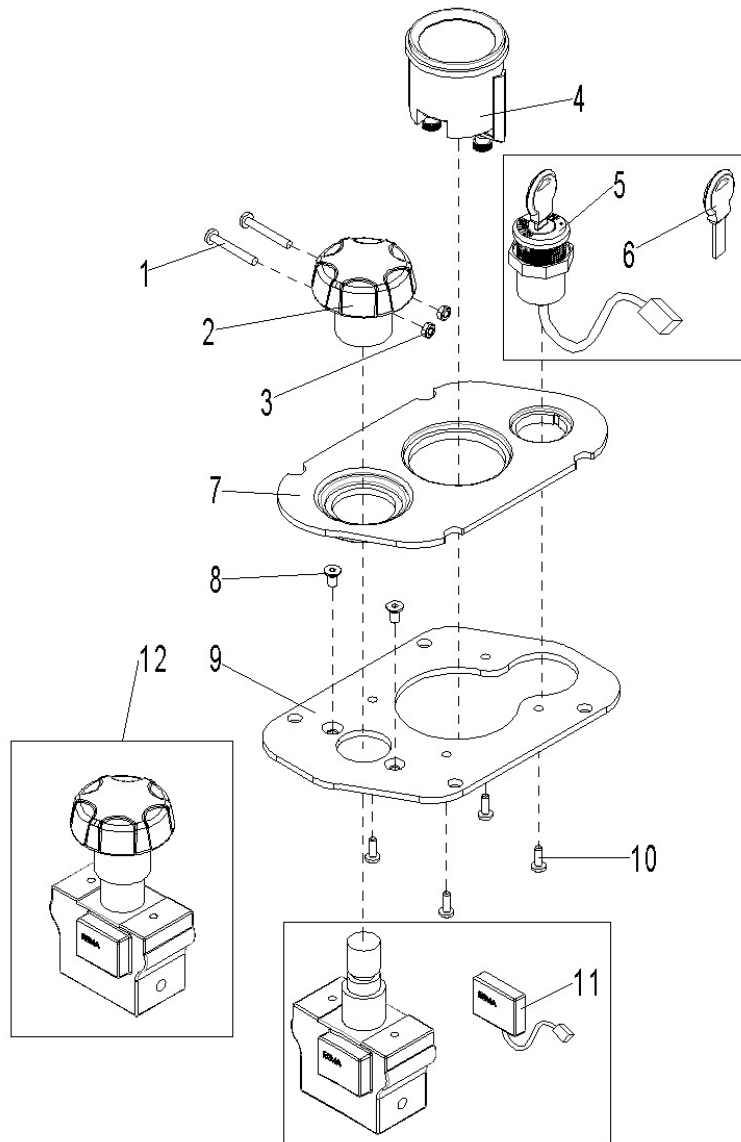
Fig. 22 Main wire



**Fig. 22 Main Wire**

| No. | Art No.    | Description | Qty. | Note |
|-----|------------|-------------|------|------|
| 1   | 9000008415 | Cable       | 1    |      |
| 2   | 9000008416 | Cable       | 1    |      |
| 3   | 9000008417 | Cable       | 1    |      |
| 4   | 9000008418 | FU+ cable   | 1    |      |
| 5   | 9000008419 | Cable       | 1    |      |
| 6   | 9000008637 | Cable       | 1    |      |
| 7   | 9000009436 | Cable       | 1    |      |

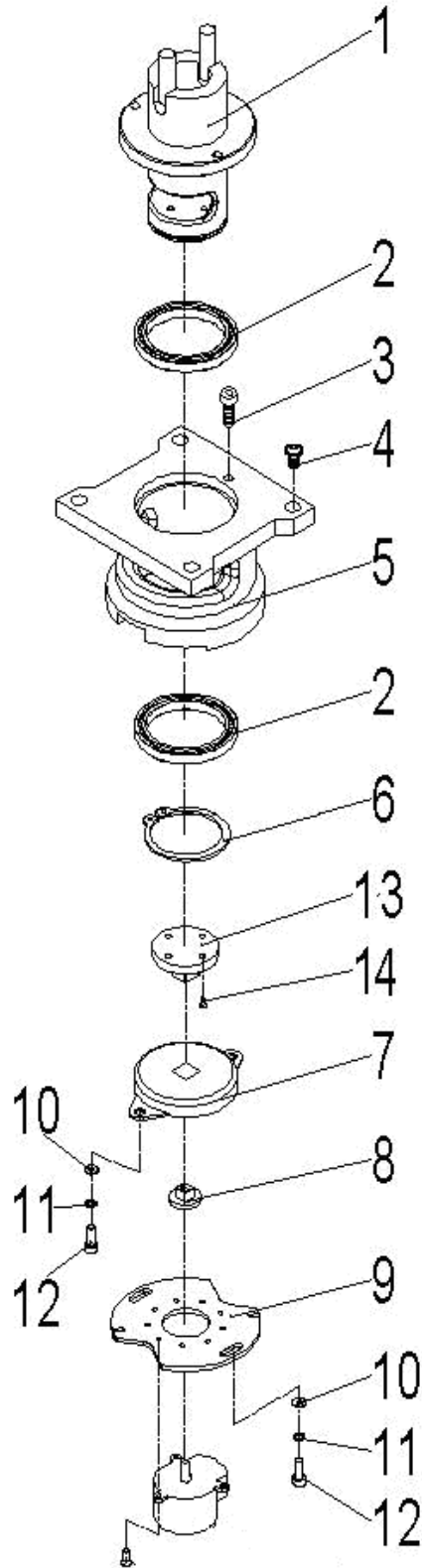
**Fig. 23 Indicator assembly**



**Fig. 23 Indicator Assembly**

| No. | Art No.    | Description      | Qty. | Note  | Standard             |
|-----|------------|------------------|------|-------|----------------------|
| 1   | 0000023685 | Screw            | 2    | M3×25 | GB/T818-2000=ISO7045 |
| 2   | 9000008516 | DC power switch  | 1    |       |                      |
| 3   | 0000024002 | Nut              | 2    | M3    | GB/T6170=ISO4032     |
| 4   | 9000000760 | Indicator        | 1    |       |                      |
| 5   | 9000008326 | Key switch       | 1    |       |                      |
| 6   | 9000008519 | Key              | 1    |       |                      |
| 7   | 9000007938 | Plastic plate    | 1    |       |                      |
| 8   | 0000023215 | Screw            | 2    | M5×10 | GB/T70.3=ISO10642    |
| 9   | 9000007939 | Fixing plate     | 1    |       |                      |
| 10  | 0090000272 | Screw            | 4    | M4×12 | GB/T6560             |
| 11  | 9000008517 | Proximity switch | 1    |       |                      |
| 12  | 9000008515 | Power switch     | 1    |       |                      |

Fig. 24 Electrical steering assembly

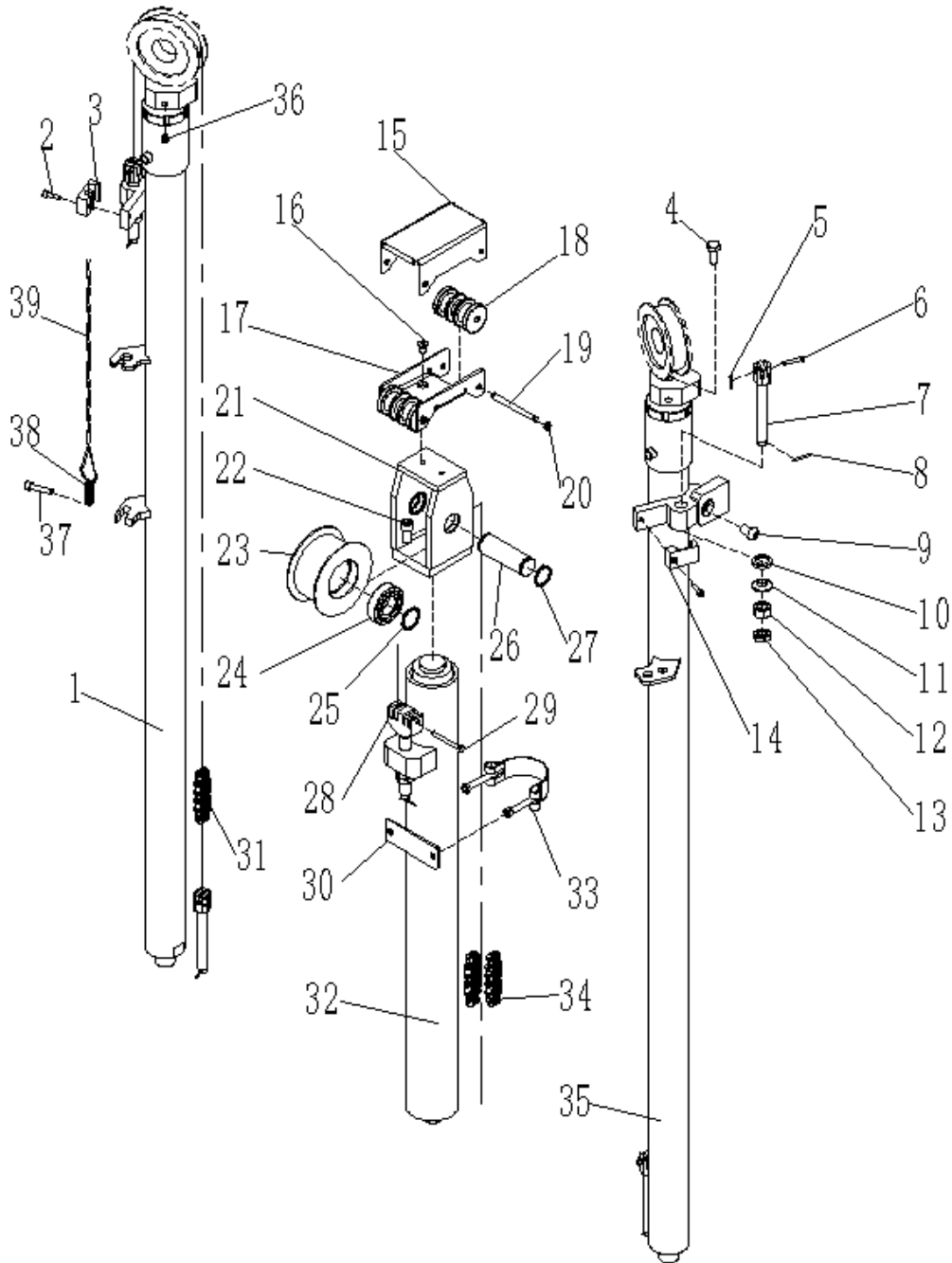


**Fig. 24 Electrical Steering Assembly**

| No. | Art No.    | Description              | Qty. | Note   | Standard         |
|-----|------------|--------------------------|------|--------|------------------|
| 1   | 9000007422 | Axle seat                | 1    |        |                  |
| 2   | 9000000240 | Bearing                  | 2    | 61810  | GB/T276          |
| 3   | 0000023042 | Screw                    | 3    | M6×10  | GB/T70.1=ISO4762 |
| 4   | 0000023034 | Screw                    | 4    | M10×20 | GB/T70.1=ISO4762 |
| 5   | 9000007423 | Fixing seat              | 1    |        |                  |
| 6   | 0000026043 | Circlip                  | 1    | 50     | GB/T894.1        |
| 7   | 9000007806 | Damper                   | 1    |        |                  |
| 8   | 9000008736 | Transition linking block | 1    |        |                  |
| 9   | 9000008735 | Fixing plate             | 1    |        |                  |
| 10  | 0000023032 | Washer                   | 4    | 5      | GB/T95           |
| 11  | 0000025015 | Washer                   | 4    | 5      | GB/T93           |
| 12  | 0000023311 | Screw                    | 4    | M5×10  | GB/T70.1=ISO4762 |
| 13  | 9000007424 | Linking block            | 1    |        |                  |
| 14  | 0000023073 | Screw                    | 4    | M4×10  | GB/T70.1=ISO4762 |



**Fig. 25 Lifting hydraulic system (Three-stage-mast)**

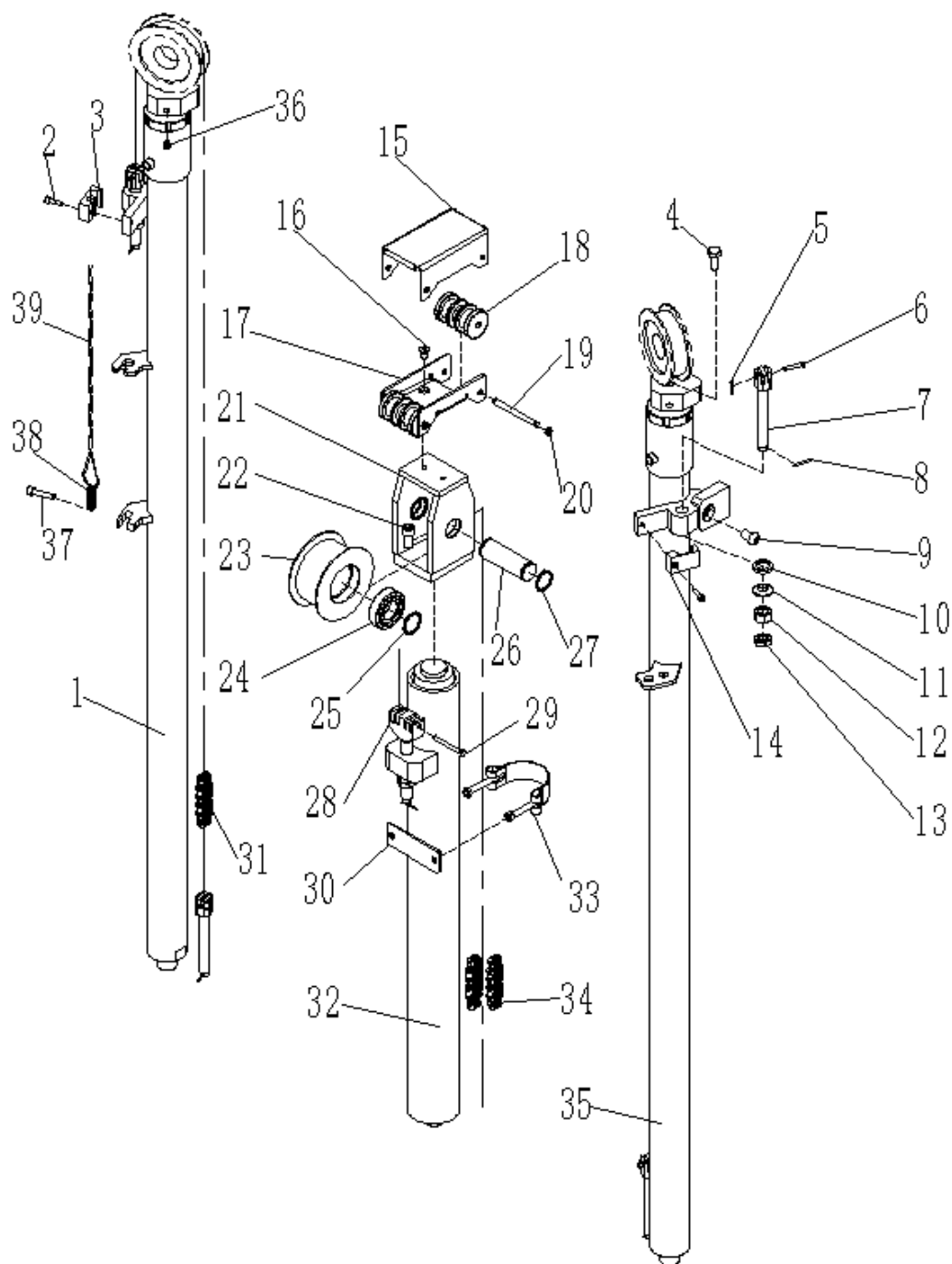


**Fig. 25 Lifting Hydraulic System (Three-stage-mast)**

| No. | Art No.    | Description | Qty. | Note             | Standard |
|-----|------------|-------------|------|------------------|----------|
| 1   | 9000007960 | Cylinder    | 1    | Three-stage-mast |          |
|     | 9000009573 |             |      | 4000             |          |
|     |            |             |      | Three-stage-mast |          |

|    |            |                      |   |                      |                   |
|----|------------|----------------------|---|----------------------|-------------------|
|    |            |                      |   | 4600                 |                   |
|    | 9000009584 |                      |   | Three-stage-mast5000 |                   |
|    | 9000009595 |                      |   | Three-stage-mast5500 |                   |
| 2  | 0000023020 | Screw                | 2 | M6×20                | GB/T70.1=ISO4762  |
| 3  | 9000007959 | Fixing clamp         | 1 |                      |                   |
| 4  | 0000023101 | Screw                | 2 | M12×25               | GB/T5783=ISO4017  |
| 5  | 0000028010 | Split pin            | 6 | 2×20                 | GB/T91=ISO1234    |
| 6  | 0090000451 | Pin roll             | 4 | 6×30                 | GB/T882=ISO2341   |
| 7  | 9000007984 | Bolt                 | 4 |                      |                   |
| 8  | 0000028104 | Split pin            | 5 | 2.5×25               | GB/T91=ISO1234    |
| 9  | 0090000372 | Screw                | 2 | M12×20               | GB/T70.2=ISO7380  |
| 10 | 0000025099 | Washer               | 5 | 16                   | GB/T850           |
| 11 | 0000025098 | Washer               | 5 | 16                   | GB/T849           |
| 12 | 0090000442 | Nut                  | 5 | M16×1.5              | GB/T6171=ISO8673  |
| 13 | 0000024014 | Nut                  | 5 | M16×1.5              | GB/T6173=ISO8675  |
| 14 | 9000007958 | Fixing clamp         | 1 |                      |                   |
| 15 | 9000007977 | Seal plate           | 1 |                      |                   |
| 16 | 0000023557 | Screw                | 2 | M8×16                | GB/T70.3=ISO10642 |
| 17 | 9000007969 | Pulley seat          | 1 |                      |                   |
| 18 | 9000007976 | Pulley               | 2 |                      |                   |
| 19 | 9000007975 | Axle                 | 2 |                      |                   |
| 20 | 0000026051 | Circlip              | 4 | 8                    | GB/T894.1         |
| 21 | 9000007973 | Chain wheel<br>frame | 1 |                      |                   |
| 22 | 0000023156 | Screw                | 1 | M12×25               | GB/T70.1=ISO4762  |
| 23 | 9000007971 | Chain wheel          | 1 |                      |                   |
| 24 | 0000027012 | Bearing              | 2 | 6206                 | GB/T276           |
| 25 | 9000007970 | Washer               | 2 |                      |                   |
| 26 | 9000007972 | Axle                 | 1 |                      |                   |
| 27 | 0000026008 | Circlip              | 2 | 30                   | GB/T894.1         |
| 28 | 9000007986 | Bolt                 | 1 |                      |                   |

**Fig. 25 Lifting hydraulic system (Three-stage-mast)**



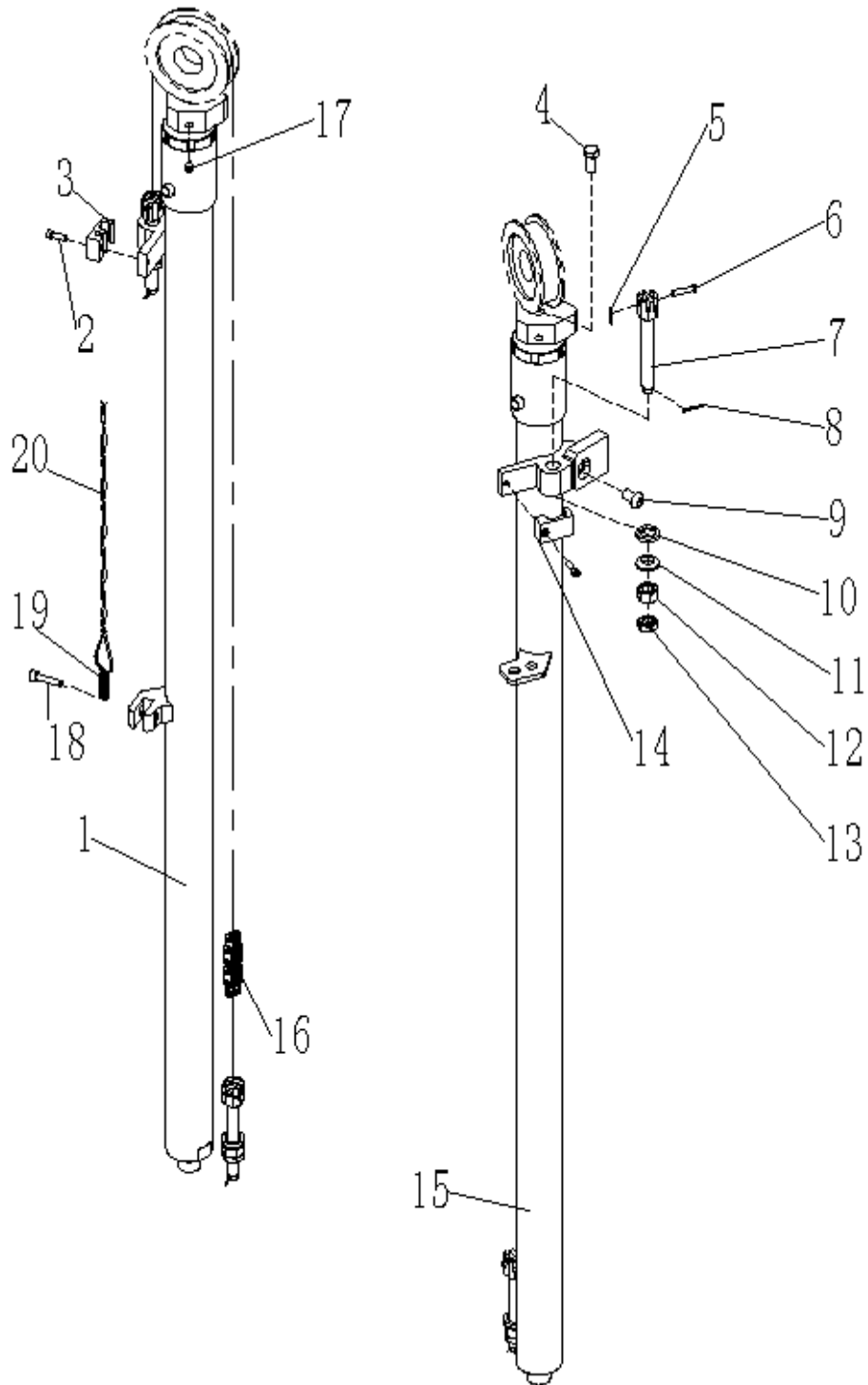
**Fi**

**g. 25 Lifting Hydraulic System (Three-stage-mast)**

| No. | Art No.    | Description  | Qty. | Note                                   | Standard         |
|-----|------------|--------------|------|--|------------------|
| 29  | 0090000319 | Pin roll     | 2    | 6×60                                   | GB/T882=ISO2341  |
| 30  | 9000007967 | Cylinder pad | 1    |  |                  |
| 31  | 0090000316 | Chain        | 2    | LH1044×123<br>Three-stage-mast<br>4000 | GB/T6074=ISO4347 |
|     | 0000029297 |              |      | LH1044×135<br>Three-stage-mast         |                  |

|    |            |                             |   |                                       |                  |
|----|------------|-----------------------------|---|---------------------------------------|------------------|
|    |            |                             |   | 4600                                  |                  |
|    | 0090000530 |                             |   | LH1044×145<br>Three-stage-mast5000    |                  |
|    | 0090000531 |                             |   | LH1044×155<br>Three-stage-mast5500    |                  |
| 32 | 9000007962 | Cylinder                    | 1 | Three-stage-mast<br>4000              |                  |
|    | 9000009575 |                             |   | Three-stage-mast<br>4600              |                  |
|    | 9000009586 |                             |   | Three-stage-mast5000                  |                  |
|    | 9000009597 |                             |   | Three-stage-mast5500                  |                  |
| 33 | 9000007802 | Embrace<br>hoop<br>assembly | 1 |                                       |                  |
| 34 | 0000029138 | Chain                       | 2 | LH1044×81<br>Three-stage-mast<br>4000 | GB/T6074=ISO4347 |
|    | 0090000532 |                             |   | LH1044×87<br>Three-stage-mast<br>4600 |                  |
|    | 0090000533 |                             |   | LH1044×93<br>Three-stage-mast5000     |                  |
|    | 0090000534 |                             |   | LH1044×97<br>Three-stage-mast5500     |                  |
| 35 | 9000007961 | Cylinder                    | 1 | Three-stage-mast<br>4000              |                  |
|    | 9000009574 |                             |   | Three-stage-mast<br>4600              |                  |
|    | 9000009585 |                             |   | Three-stage-mast<br>5000              |                  |
|    | 9000009596 |                             |   | Three-stage-mast5500                  |                  |
| 36 | 0090000318 | Screw                       | 2 | M10×12                                | GB/T79=ISO4028   |
| 37 | 0000023106 | Screw                       | 1 | M6×30                                 | GB/T70.1=ISO4762 |
| 38 | 9000009836 | Spring                      | 1 |                                       |                  |
| 39 | 9000008681 | Cable<br>bushing            | 1 |                                       |                  |

Fig. 26 Lifting hydraulic system (Two-stage-mast)

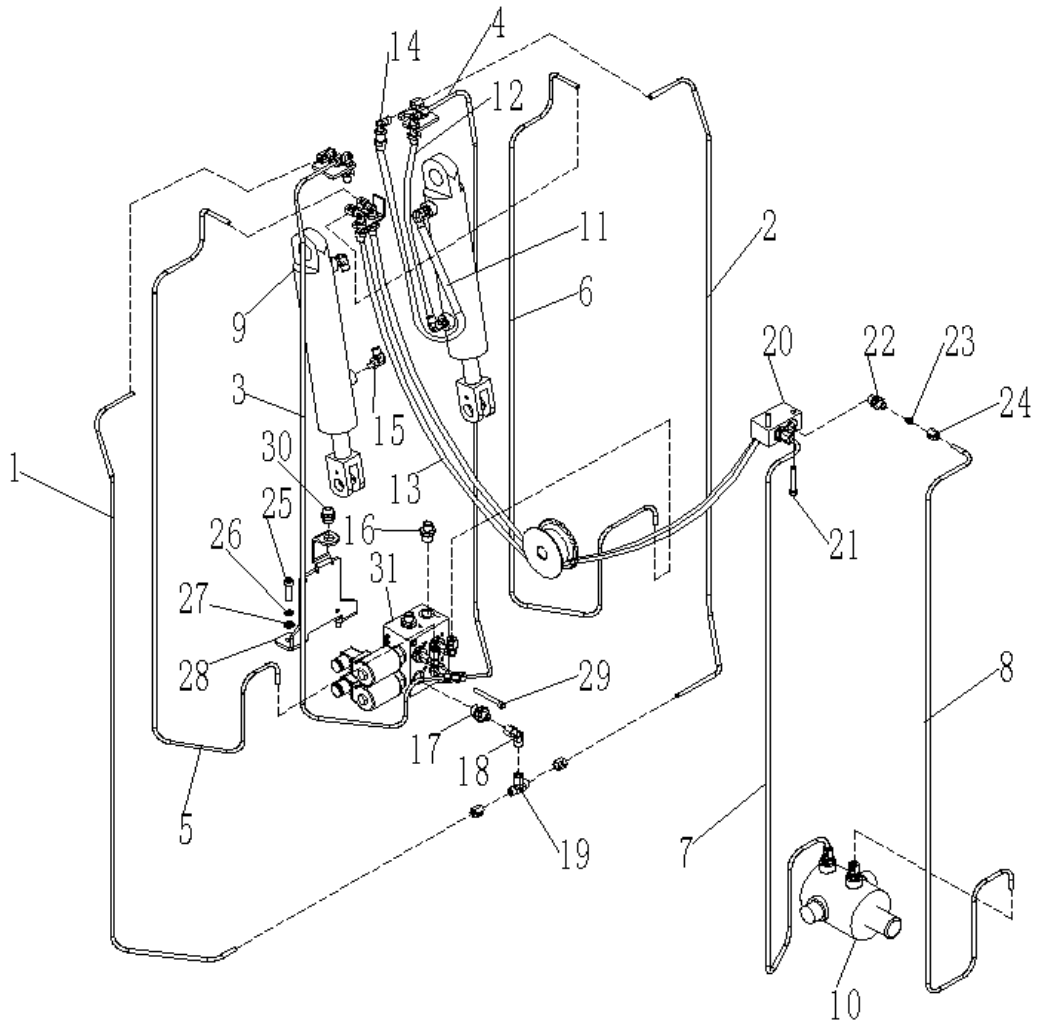


**Fig. 26 Lifting Hydraulic System (Two-stage-mast)**

| No. | Art No.    | Description  | Qty. | Note                                 | Standard         |
|-----|------------|--------------|------|--------------------------------------|------------------|
| 1   | 9000009617 | Cylinder     | 1    | Two-stage-mast<br>2900               |                  |
|     | 9000009629 |              |      | Two-stage-mast<br>3200               |                  |
|     | 9000009638 |              |      | Two-stage-mast<br>3600               |                  |
| 2   | 0000023020 | Screw        | 2    | M6×20                                | GB/T70.1=ISO4762 |
| 3   | 9000007959 | Fixing clamp | 1    |                                      |                  |
| 4   | 0000023101 | Screw        | 2    | M12×25                               | GB/T5783=ISO4017 |
| 5   | 0000028010 | Split pin    | 6    | 2×20                                 |                  |
| 6   | 0090000451 | Pin roll     | 4    | 6×30                                 |                  |
| 7   | 9000007984 | Bolt         | 4    |                                      |                  |
| 8   | 0000028104 | Split pin    | 5    | 2.5×25                               | GB/T91=ISO1234   |
| 9   | 0090000372 | Screw        | 2    | M12×20                               | GB/T70.2=ISO7380 |
| 10  | 0000025099 | Washer       | 5    | 16                                   | GB/T850          |
| 11  | 0000025098 | Washer       | 5    | 16                                   | GB/T849          |
| 12  | 0090000442 | Nut          | 5    | M16×1.5                              | GB/T6171=ISO8673 |
| 13  | 0000024014 | Nut          | 5    | M16×1.5                              | GB/T6173=ISO8675 |
| 14  | 9000007958 | Fixing clamp | 1    |                                      |                  |
| 15  | 9000009618 | Cylinder     | 1    | Two-stage-mast<br>2900               |                  |
|     | 9000009630 |              |      | Two-stage-mast<br>3200               |                  |
|     | 9000009639 |              |      | Two-stage-mast<br>3600               |                  |
| 16  | 0000029322 | Chain        | 2    | LH1044×129<br>Two-stage-mast<br>2900 | GB/T6074=ISO4347 |
|     | 0090000588 |              |      | LH1044×139<br>Two-stage-mast<br>3200 |                  |
|     | 0090000536 |              |      | LH1044×151                           |                  |

|    |            |               |   |                        |                  |
|----|------------|---------------|---|------------------------|------------------|
|    |            |               |   | Two-stage-mast<br>3600 |                  |
| 17 | 0090000318 | Screw         | 2 | M10×12                 | GB/T79=ISO4028   |
| 18 | 0000023455 | Screw         | 1 | M8x35                  | GB/T70.1=ISO4762 |
| 19 | 9000009836 | Spring        | 1 |                        |                  |
| 20 | 9000008681 | Cable bushing | 1 |                        |                  |

**Fig. 27 Reach, tilt hydraulic system**

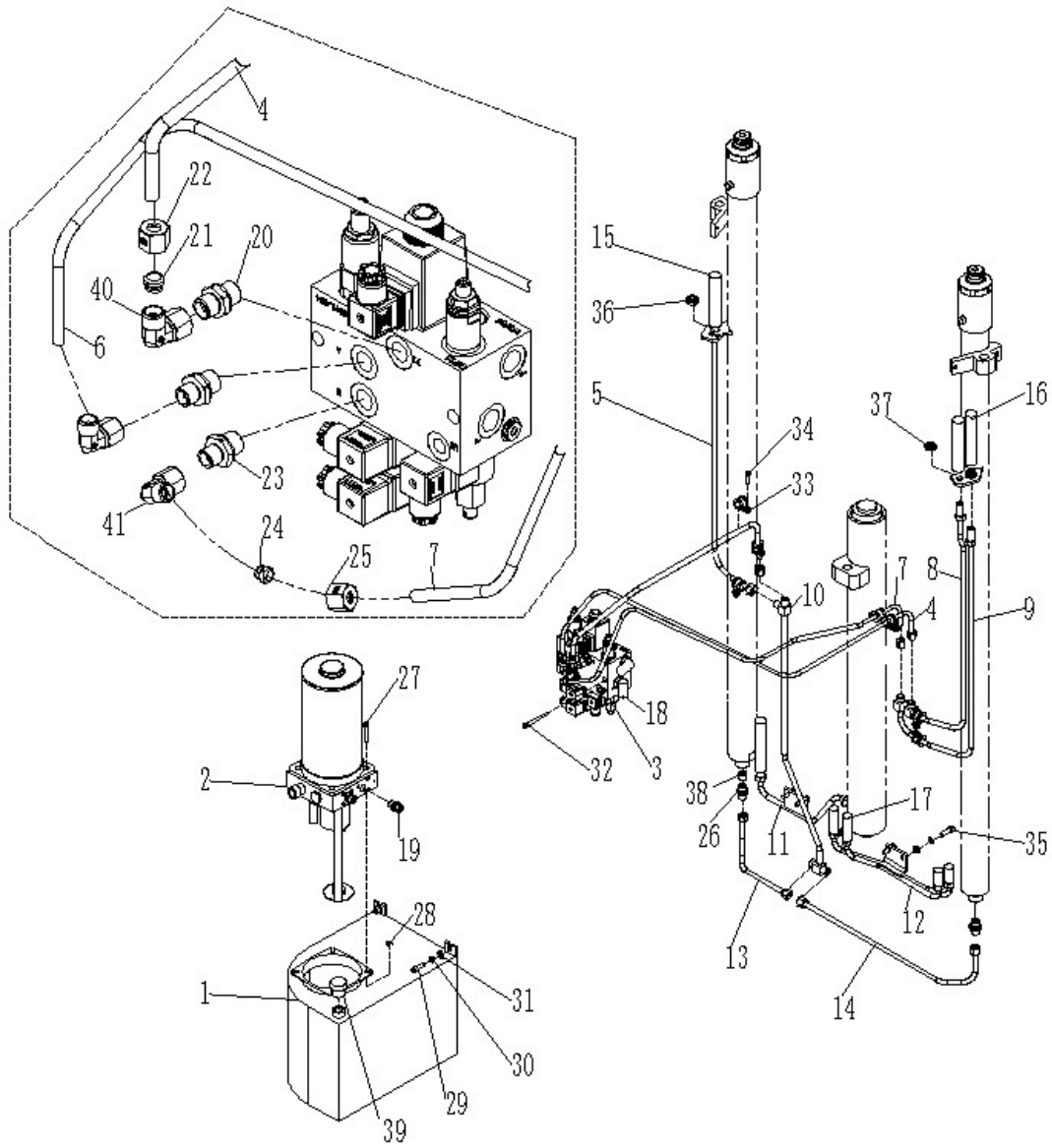




**Fig. 27 Reach 、 Tilt Hydraulic System**

| No. | Art No.    | Description              | Qty. | Note             | Standard         |
|-----|------------|--------------------------|------|------------------|------------------|
| 1   | 9000008015 | Steel pipe               | 1    |                  |                  |
| 2   | 9000008014 | Steel pipe               | 1    | Three-stage-mast |                  |
|     | 9000009644 |                          |      | Two-stage-mast   |                  |
| 3   | 9000008016 | Steel pipe               | 1    |                  |                  |
| 4   | 9000008013 | Steel pipe               | 1    | Three-stage-mast |                  |
|     | 9000009643 |                          |      | Two-stage-mast   |                  |
| 5   | 9000008018 | Steel pipe               | 1    |                  |                  |
| 6   | 9000008017 | Steel pipe               | 1    |                  |                  |
| 7   | 9000008021 | Steel pipe               | 1    | Three-stage-mast |                  |
|     | 9000009646 |                          |      | Two-stage-mast   |                  |
| 8   | 9000008020 | Steel pipe               | 1    | Three-stage-mast |                  |
|     | 9000009645 |                          |      | Two-stage-mast   |                  |
| 9   | 9000008010 | Cylinder                 | 2    |                  |                  |
| 10  | 9000008011 | Cylinder                 | 1    |                  |                  |
| 11  | 9000007827 | Tube                     | 2    |                  |                  |
| 12  | 9000007810 | Tube                     | 2    |                  |                  |
| 13  | 9000007811 | Tube                     | 2    |                  |                  |
| 14  | 9000007844 | Angle                    | 6    |                  |                  |
| 15  | 9000007834 | Joint                    | 4    |                  |                  |
| 16  | 9000007831 | Joint                    | 2    | Three-stage-mast |                  |
|     | 9000007832 |                          |      | Two-stage-mast   |                  |
| 17  | 9000007830 | Joint                    | 4    |                  |                  |
| 18  | 9000007837 | Angle                    | 3    |                  |                  |
| 19  | 9000007839 | Angle                    | 2    |                  |                  |
| 20  | 9000008019 | Valve plate              | 1    |                  |                  |
| 21  | 0090000321 | Screw                    | 2    | M6×45            | GB/T70.1=ISO4762 |
| 22  | 9000007829 | Joint                    | 6    |                  |                  |
| 23  | 9000007850 | Bushing                  | 16   |                  |                  |
| 24  | 9000007847 | Nut                      | 16   |                  |                  |
| 25  | 0000023044 | Screw                    | 2    | M8×20            | GB/T70.1=ISO4762 |
| 26  | 0000025001 | Washer                   | 2    | 8                | GB/T93           |
| 27  | 0000025011 | Washer                   | 2    | 8                | GB/T95           |
| 28  | 9000008022 | Assembly plate           | 1    | Three-stage-mast |                  |
|     | 9000009647 |                          |      | Two-stage-mast   |                  |
| 29  | 0000023872 | Screw                    | 2    | M6×55            | GB/T70.1=ISO4762 |
| 30  | 9000008679 | Cable tighten components | 1    | Three-stage-mast |                  |
| 31  | 9000008802 | Valve                    | 1    |                  |                  |

**Fig. 28 Lifting cylinder assembly (Three-stage-mast)**

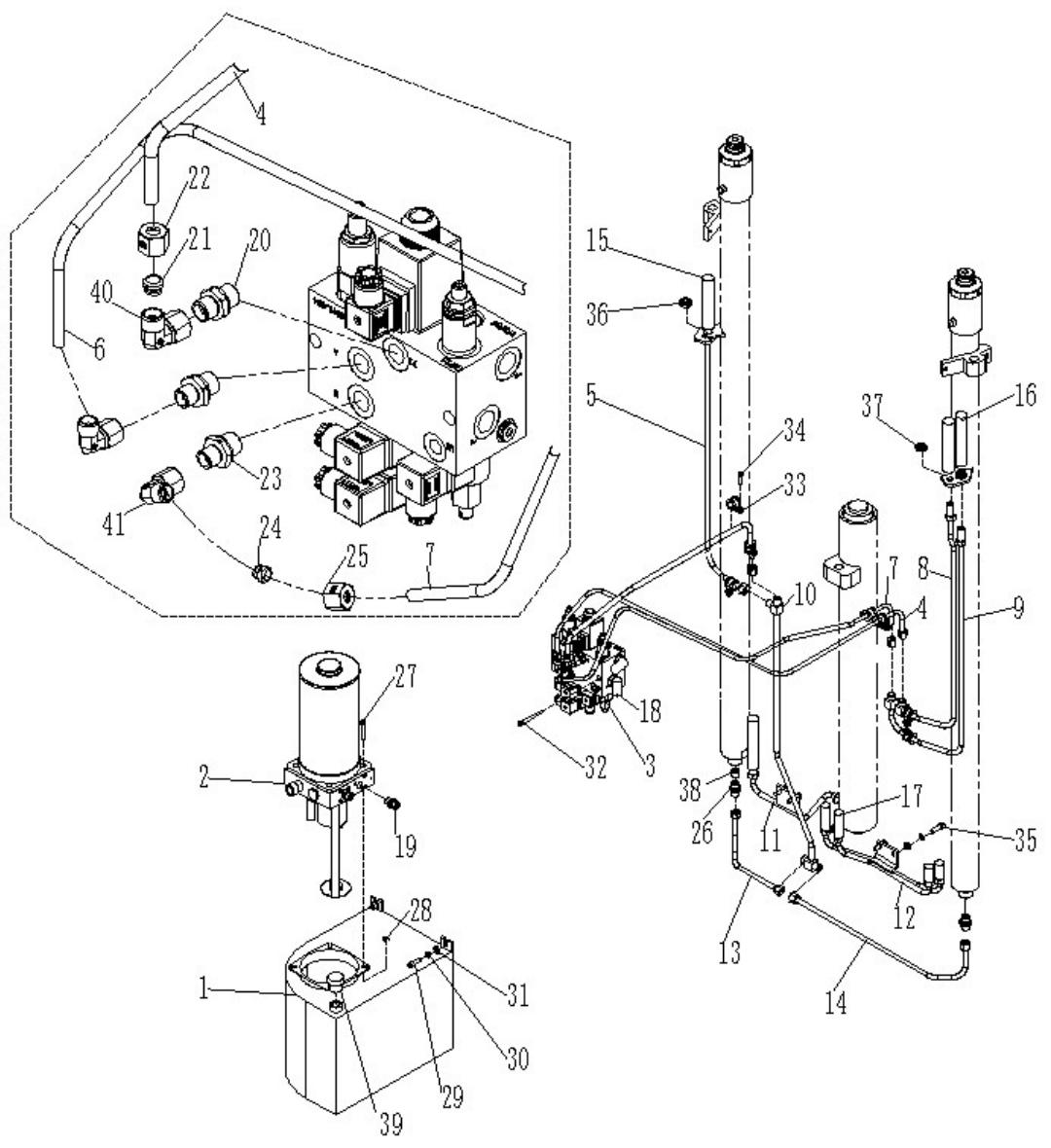


**Fig. 28 Lifting Cylinder Assembly (Three-stage-mast)**

| No. | Art No.    | Description  | Qty. | Note                     | Standard |
|-----|------------|--------------|------|--------------------------|----------|
| 1   | 9000008032 | Oil cylinder | 1    |                          |          |
| 2   | 9000007858 | Pump         | 1    |                          |          |
| 3   | 9000007853 | Valve        | 1    |                          |          |
| 4   | 9000008012 | Steel pipe   | 1    |                          |          |
| 5   | 9000008026 | Steel pipe   | 1    |                          |          |
| 6   | 9000008035 | Steel pipe   | 1    |                          |          |
| 7   | 9000008034 | Steel pipe   | 1    |                          |          |
| 8   | 9000008025 | Steel pipe   | 1    |                          |          |
| 9   | 9000008024 | Steel pipe   | 1    |                          |          |
| 10  | 9000008023 | Steel pipe   | 1    |                          |          |
| 11  | 9000008029 | Steel pipe   | 1    |                          |          |
| 12  | 9000008033 | Steel pipe   | 1    |                          |          |
| 13  | 9000008030 | Steel pipe   | 1    |                          |          |
| 14  | 9000008031 | Steel pipe   | 1    |                          |          |
| 15  | 9000010326 | Hose         | 1    | Three-stage-mast<br>4000 |          |
|     | 9000010327 |              |      | Three-stage-mast<br>4600 |          |
|     | 9000010328 |              |      | Three-stage-mast<br>5000 |          |
|     | 9000010316 |              |      | Three-stage-mast<br>5500 |          |
| 16  | 9000010324 | Hose         | 2    | Three-stage-mast<br>4000 |          |
|     | 9000010325 |              |      | Three-stage-mast<br>4600 |          |
|     | 9000009653 |              |      | Three-stage-mast<br>5000 |          |
|     | 9000010315 |              |      | Three-stage-mast<br>5500 |          |
| 17  | 9000008801 | Hose         | 2    | Three-stage-mast<br>4000 |          |

|    |            |         |   |                          |  |
|----|------------|---------|---|--------------------------|--|
|    | 9000008815 |         |   | Three-stage-mast<br>4600 |  |
|    | 9000010312 |         |   | Three-stage-mast<br>5000 |  |
|    | 9000008817 |         |   | Three-stage-mast<br>5500 |  |
| 18 | 9000007826 | Hose    | 2 |                          |  |
| 19 | 9000007833 | Joint   | 2 |                          |  |
| 20 | 9000007832 | Joint   | 3 |                          |  |
| 21 | 9000007852 | Bushing | 2 |                          |  |
| 22 | 9000007849 | Nut     | 2 |                          |  |

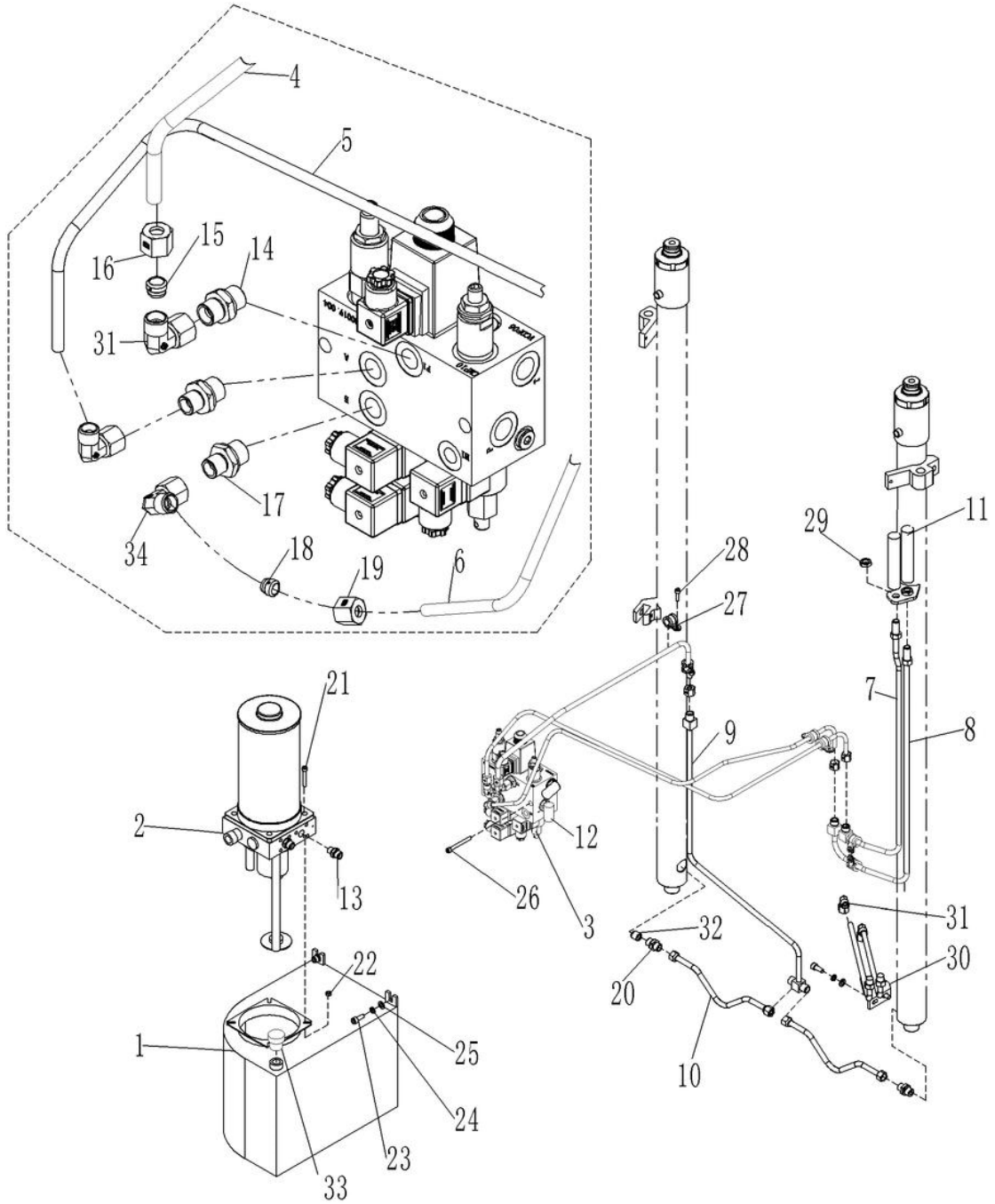
**Fig. 28 Lifting cylinder assembly (Three-stage-mast)**



**Fig. 28 Lifting Cylinder Assembly (Three-stage-mast)**

| No. | Art No.    | Description  | Qty. | Note    | Standard         |
|-----|------------|--------------|------|---------|------------------|
| 23  | 9000007831 | Joint        | 2    |         |                  |
| 24  | 9000007851 | Bushing      | 4    |         |                  |
| 25  | 9000007848 | Nut          | 4    |         |                  |
| 26  | 9000007842 | Joint        | 3    |         |                  |
| 27  | 0090000020 | Screw        | 4    | M6×40   | GB/T70.1=ISO4762 |
| 28  | 0000024068 | Nut          | 4    | M6      | GB/T6170=ISO4032 |
| 29  | 0000023044 | Screw        | 2    | M8×20   | GB/T70.1=ISO4762 |
| 30  | 0000025001 | Washer       | 6    | 8       | GB/T93           |
| 31  | 0000025011 | Washer       | 6    | 8       | GB/T95           |
| 32  | 0090000449 | Screw        | 2    | M6×70   | GB/T70.1=ISO4762 |
| 33  | 9000008325 | Pipe clamp   | 6    |         |                  |
| 34  | 0000023053 | Screw        | 6    | M6×12   | GB/T70.1=ISO4762 |
| 35  | 0000023047 | Screw        | 4    | M8×25   | GB/T70.1=ISO4762 |
| 36  | 0000024014 | Nut          | 1    | M16×1.5 | GB/T6173=ISO8675 |
| 37  | 0090000090 | Nut          | 2    | M14×1.5 | GB/T6173=ISO8675 |
| 38  | 2000337001 | Safety valve | 3    |         |                  |
| 39  | 2000303001 | Vent plug    | 1    |         |                  |
| 40  | 9000007838 | Elbow        | 1    |         |                  |
| 41  | 9000010306 | Elbow        | 2    |         |                  |

**Fig. 29 Lifting cylinder assembly (Two-stage-mast)**

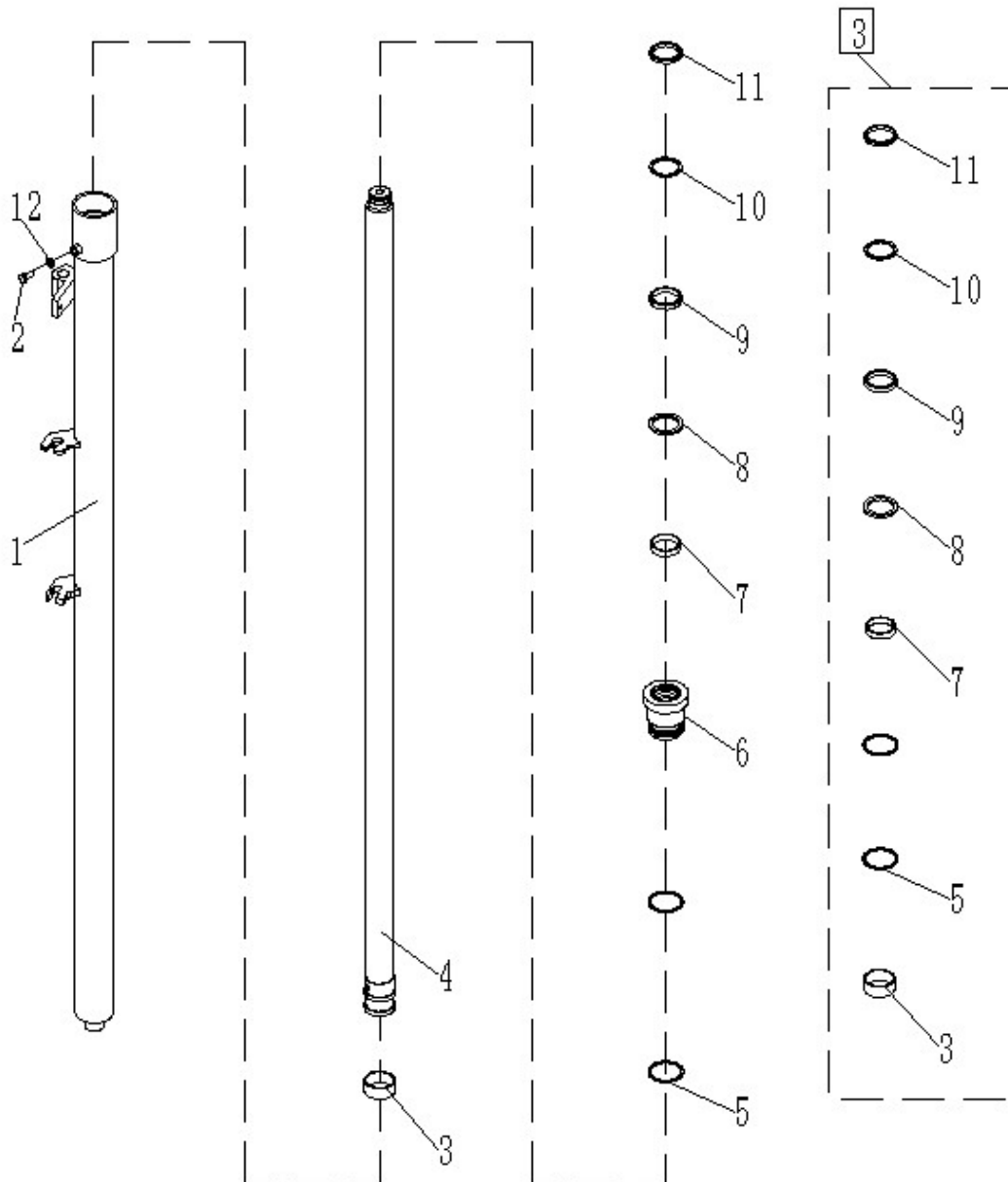


**Fig. 29 Lifting Cylinder Assembly (Two-stage-mast)**

| No. | Art No.    | Description  | Qty. | Note                   | Standard         |
|-----|------------|--------------|------|------------------------|------------------|
| 1   | 9000008032 | Oil cylinder | 1    |                        |                  |
| 2   | 9000007858 | Pump         | 1    |                        |                  |
| 3   | 9000007853 | Valve        | 1    |                        |                  |
| 4   | 9000008012 | Steel tube   | 1    |                        |                  |
| 5   | 9000008035 | Steel tube   | 1    |                        |                  |
| 6   | 9000008034 | Steel tube   | 1    |                        |                  |
| 7   | 9000008025 | Steel tube   | 1    |                        |                  |
| 8   | 9000008024 | Steel tube   | 1    |                        |                  |
| 9   | 9000009649 | Steel tube   | 1    |                        |                  |
| 10  | 9000009650 | Steel tube   | 2    |                        |                  |
| 11  | 9000010312 | Tube         | 2    | Two-stage-mast<br>2900 |                  |
|     | 9000010313 |              |      | Two-stage-mast<br>3200 |                  |
|     | 9000010314 |              |      | Two-stage-mast<br>3600 |                  |
| 12  | 9000007826 | Tube         | 2    |                        |                  |
| 13  | 9000007833 | Joint        | 2    |                        |                  |
| 14  | 9000007832 | Joint        | 3    |                        |                  |
| 15  | 9000007852 | Bushing      | 2    |                        |                  |
| 16  | 9000007849 | Nut          | 2    |                        |                  |
| 17  | 9000007831 | Joint        | 2    |                        |                  |
| 18  | 9000007851 | Bushing      | 4    |                        |                  |
| 19  | 9000007848 | Nut          | 4    |                        |                  |
| 20  | 9000007842 | Joint        | 3    |                        |                  |
| 21  | 0090000020 | Screw        | 4    | M6×40                  | GB/T70.1=ISO4762 |
| 22  | 0000024068 | Nut          | 4    | M6                     | GB/T6170=ISO4032 |
| 23  | 0000023044 | Screw        | 2    | M8×20                  | GB/T70.1=ISO4762 |
| 24  | 0000025001 | Washer       | 6    | 8                      | GB/T93           |
| 25  | 0000025011 | Washer       | 6    | 8                      | GB/T95           |
| 26  | 0090000449 | Screw        | 2    | M6×70                  | GB/T70.1=ISO4762 |
| 27  | 9000008325 | Pipe clamp   | 6    |                        |                  |
| 28  | 0000023053 | Screw        | 6    | M6×12                  | GB/T70.1=ISO4762 |
| 29  | 0090000090 | Nut          | 2    | M14×1.5                | GB/T6173=ISO8675 |
| 30  | 9000009642 | Steel tube   | 1    |                        |                  |
| 31  | 9000007838 | Joint        | 3    |                        |                  |
| 32  | 2000337001 | Safety valve | 2    |                        |                  |
| 33  | 2000303001 | Vent plug    | 1    |                        |                  |
| 34  | 9000010306 | Elbow        | 2    |                        |                  |



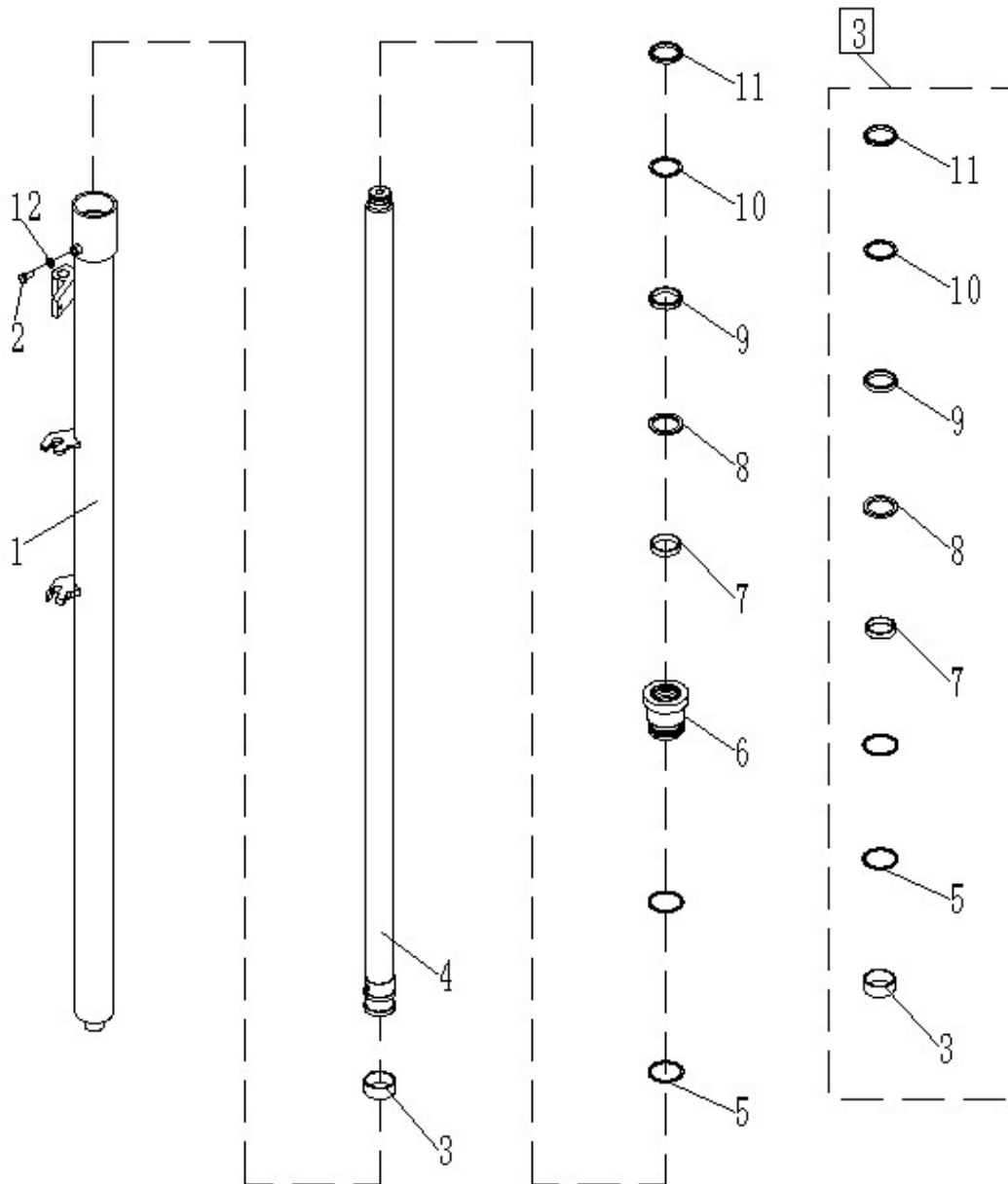
Fig. 30 Left lifting cylinder (Three-stage-mast)



**Fig. 30 Left Lifting Cylinder (Three-stage-mast)**

| No.        | Art No.    | Description                     | Qty. | Note                     | Standard             |
|------------|------------|---------------------------------|------|--------------------------|----------------------|
| 1          | 9000009667 | Cylinder                        | 1    | Three-stage-mast<br>4000 |                      |
|            | 9000009668 |                                 |      | Three-stage-mast<br>4600 |                      |
|            | 9000009669 |                                 |      | Three-stage-mast50<br>00 |                      |
|            | 9000009670 |                                 |      | Three-stage-mast55<br>00 |                      |
| 2          | 0000023415 | Screw                           | 1    | M8x10                    | GB/T70.1=ISO4762     |
| 3          | 9000009674 | Supporting<br>ring of<br>hole   | 1    | 43X48X20                 |                      |
| 4          | 9000009654 | Piston rod                      | 1    | Three-stage-mast<br>4000 |                      |
|            | 9000009655 |                                 |      | Three-stage-mast<br>4600 |                      |
|            | 9000009656 |                                 |      | Three-stage-mast50<br>00 |                      |
|            | 9000009657 |                                 |      | Three-stage-mast55<br>00 |                      |
| 5          | 0000022018 | O ring                          | 2    | 55X3.1                   | GB/T3452.1=ISO3601-1 |
| 6          | 9000009662 | Guide<br>sleeve                 | 1    |                          |                      |
| 7          | 9000009666 | Supporting<br>ring for<br>shaft | 1    | 42X46X10                 |                      |
| 8          | 9000009665 | Seal ring                       | 1    | 42X52.7X4.2              |                      |
| 9          | 9000009663 | Y ring for<br>shaft             | 1    | 42X50X7.5/8              |                      |
| 10         | 9000009664 | Circlip                         | 1    | 42X50X2                  |                      |
| 11         | 9000009661 | Dust cover                      | 1    | 42X50X5/6.5              |                      |
| 12         | 0000022026 | Washer                          | 1    | 8                        | JB/T982              |
| <b>Оши</b> | 9000009776 | Sealing<br>assembly             | 1    |                          |                      |

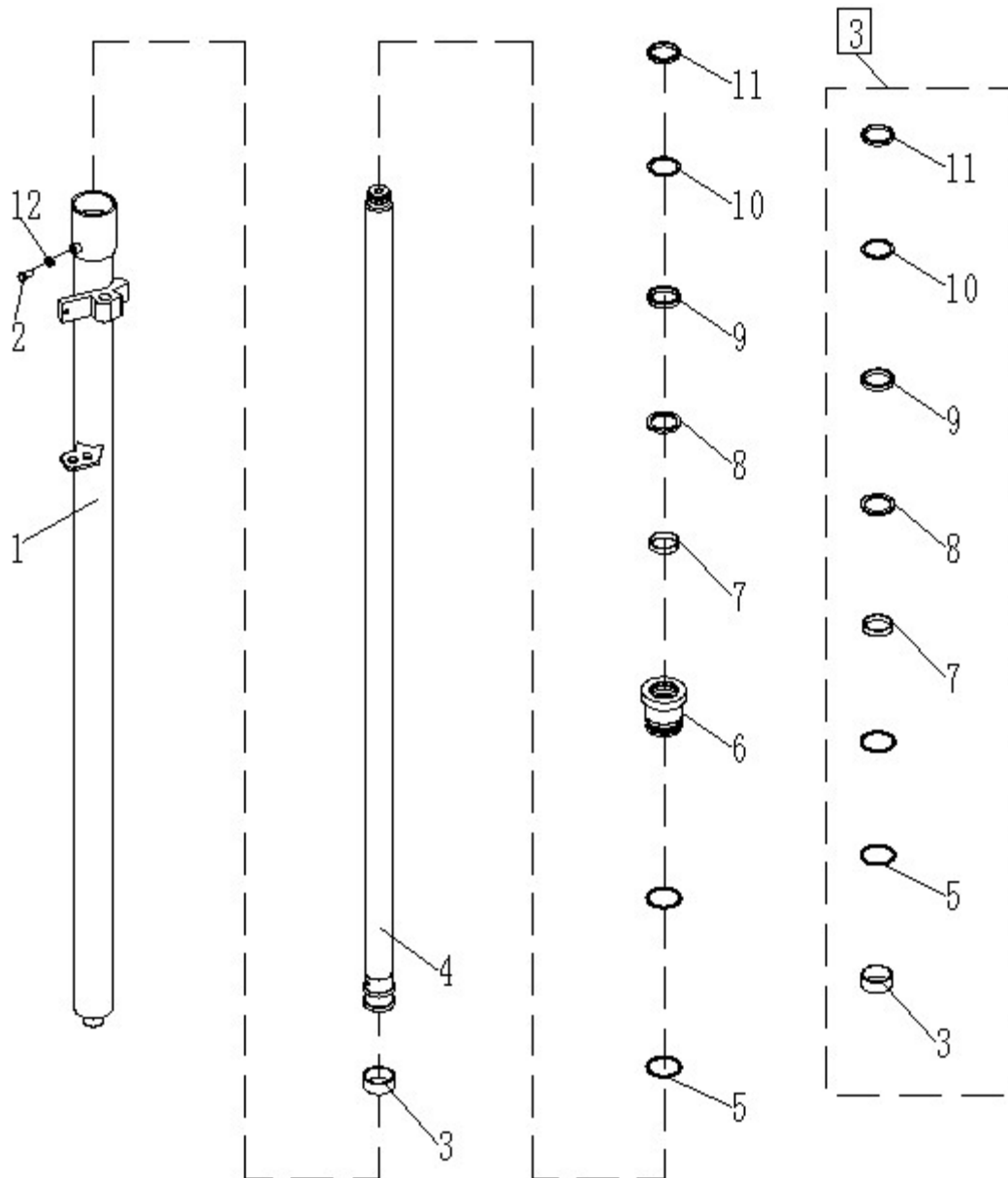
Fig. 31 Left lifting cylinder (Two-stage-mast)



**Fig. 31 Left Lifting Cylinder (Two-stage-mast)**

| No. | Art No.    | Description                | Qty. | Note                   | Standard             |
|-----|------------|----------------------------|------|------------------------|----------------------|
| 1   | 9000009671 | Cylinder                   | 1    | Two-stage-mast<br>2900 |                      |
|     | 9000009672 |                            |      | Two-stage-mast<br>3200 |                      |
|     | 9000009673 |                            |      | Two-stage-mast<br>3600 |                      |
| 2   | 0000023415 | Screw                      | 1    | M8x10                  | GB/T70.1=ISO4762     |
| 3   | 9000009674 | Supporting<br>ring of hole | 1    | 43X48X20               |                      |
| 4   | 9000009658 | Piston rod                 | 1    | Two-stage-mast<br>2900 |                      |
|     | 9000009659 |                            |      | Two-stage-mast<br>3200 |                      |
|     | 9000009660 |                            |      | Two-stage-mast<br>3600 |                      |
| 5   | 0000022018 | O ring                     | 2    | 55X3.1                 | GB/T3452.1=ISO3601-1 |
| 6   | 9000009796 | Guide sleeve               | 1    |                        |                      |
| 7   | 9000009666 | Supporting<br>ring of axle | 1    | 42X46X10               |                      |
| 8   | 9000009665 | Seal ring                  | 1    | 42X52.7X4.2            |                      |
| 9   | 9000009663 | Y ring of axle             | 1    | 42X50X7.5/8            |                      |
| 10  | 9000009664 | Circlip                    | 1    | 42X50X2                |                      |
| 11  | 9000009661 | Dust ring                  | 1    | 42X50X5/6.5            |                      |
| 12  | 0000022026 | Washer                     | 1    | 8                      | JB/T982              |
| □,3 | 9000009776 | Sealing<br>assembly        | 1    |                        |                      |

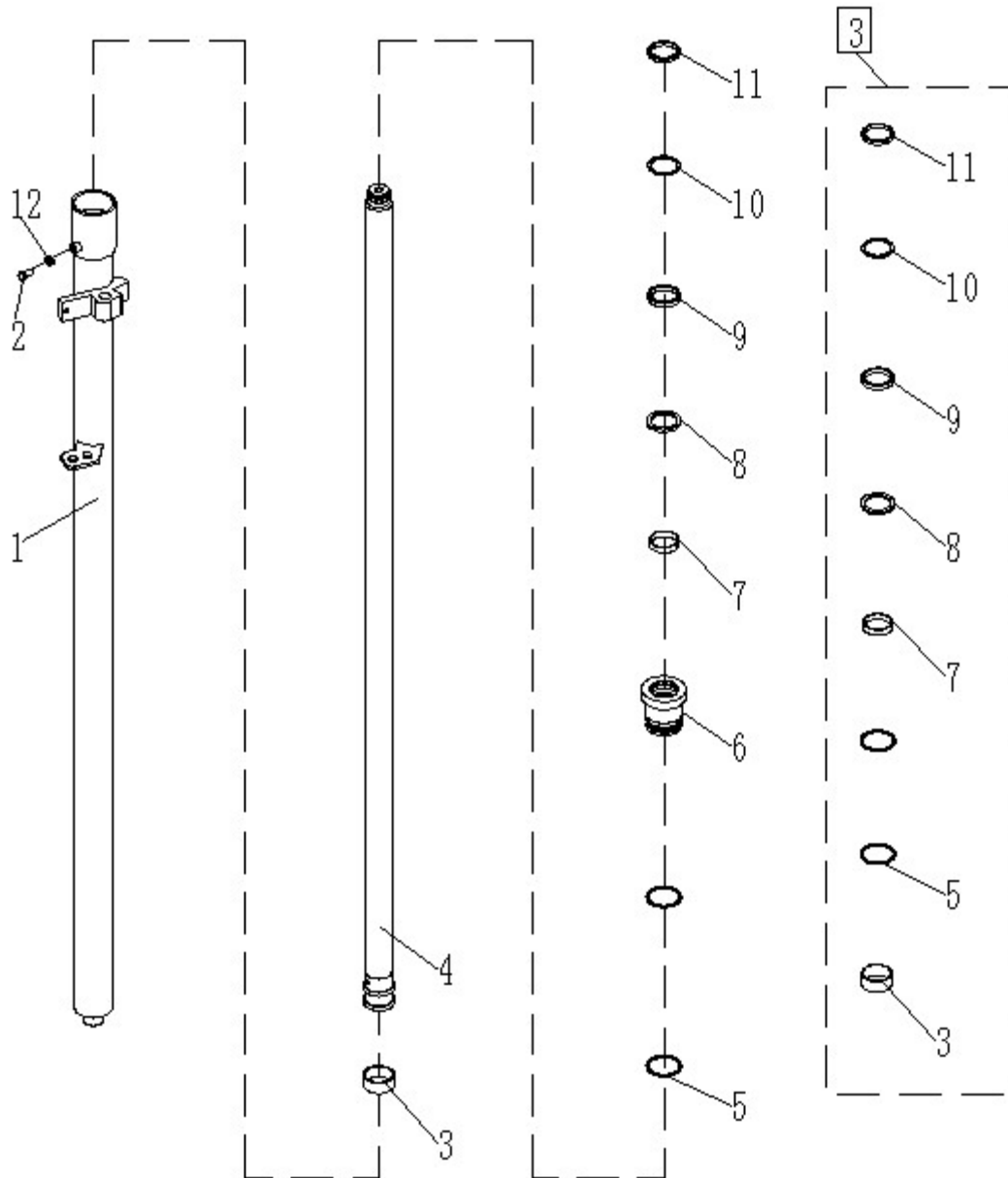
Fig. 32 Right lifting cylinder (Three-stage-mast)



**Fig. 32 Right Lifting Cylinder (Three-stage-mast)**

| No. | Art No.        | Description                 | Qty. | Note                      | Standard             |
|-----|----------------|-----------------------------|------|---------------------------|----------------------|
| 1   | 900000968<br>3 | Cylinder                    | 1    | Three-stage-<br>mast 4000 |                      |
|     | 900000968<br>4 |                             |      | Three-stage-<br>mast 4600 |                      |
|     | 900000968<br>5 |                             |      | Three-stage-<br>mast5000  |                      |
|     | 900000968<br>6 |                             |      | Three-stage-<br>mast 5500 |                      |
| 2   | 0000023415     | Screw                       | 1    | M8x10                     | GB/T70.1=ISO4762     |
| 3   | 9000009674     | Supporting<br>ring of hole  | 1    | 43X48X20                  |                      |
| 4   | 900000967<br>5 | Piston rod                  | 1    | Three-stage-<br>mast 4000 |                      |
|     | 900000967<br>6 |                             |      | Three-stage-<br>mast 4600 |                      |
|     | 900000967<br>7 |                             |      | Three-stage-<br>mast5000  |                      |
|     | 900000967<br>8 |                             |      | Three-stage-<br>mast5500  |                      |
| 5   | 0000022018     | O ring                      | 2    | 55X3.1                    | GB/T3452.1=ISO3601-1 |
| 6   | 9000009682     | Guiding ring                | 1    |                           |                      |
| 7   | 9000009666     | Supporting<br>ring fof axle | 1    | 42X46X10                  |                      |
| 8   | 9000009665     | Seal ring                   | 1    | 42X52.7X4.2               |                      |
| 9   | 9000009663     | Y ring of axle              | 1    | 42X50X7.5/8               |                      |
| 10  | 9000009664     | Circlip                     | 1    | 42X50X2                   |                      |
| 11  | 9000009661     | Dust ring                   | 1    | 42X50X5/6.5               |                      |
| 12  | 0000022026     | Washer                      | 1    | 8                         | JB/T982              |
| □,3 | 9000009776     | Sealing<br>assembly         | 1    |                           |                      |

Fig. 33Right lifting cylinder (Two-stage-mast)

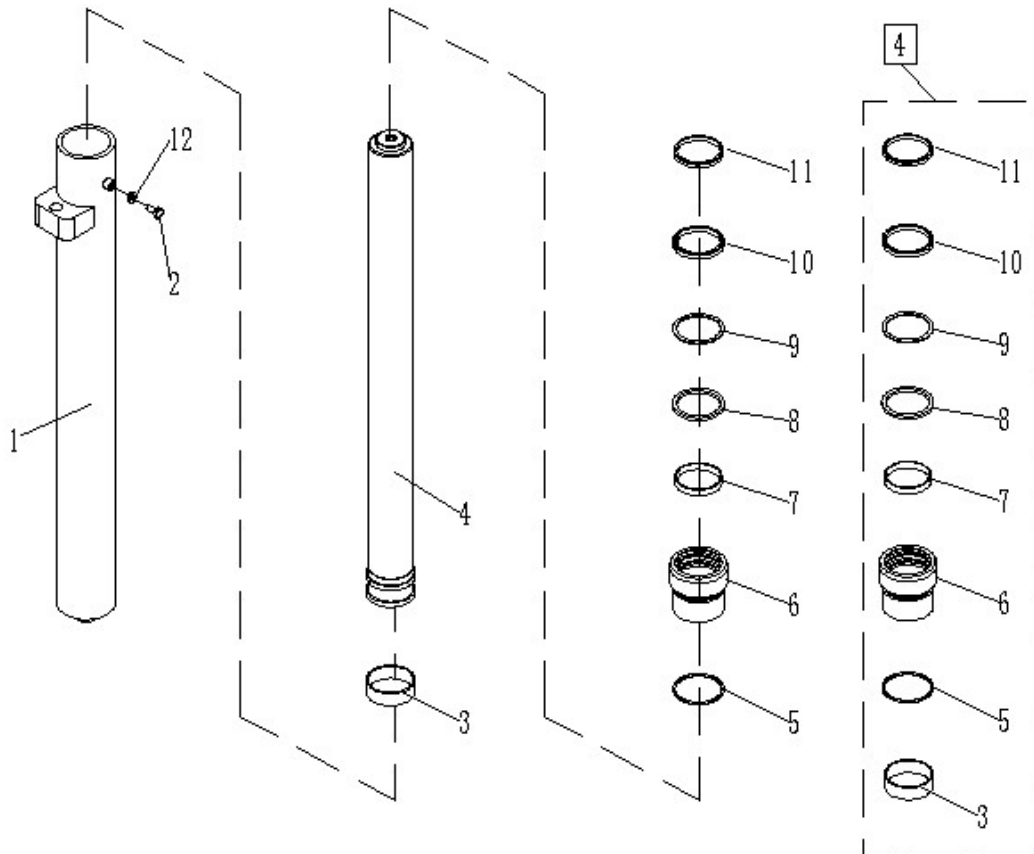


**Fig. 33Right Lifting Cylinder (Two-stage-mast)**

| No. | Art No.    | Description                | Qty. | Note                   | Standard             |
|-----|------------|----------------------------|------|------------------------|----------------------|
| 1   | 9000009687 | Cylinder                   | 1    | Two-stage-mast<br>2900 |                      |
|     | 9000009688 |                            |      | Two-stage-mast<br>3200 |                      |
|     | 9000009689 |                            |      | Two-stage-mast<br>3600 |                      |
| 2   | 0000023415 | Screw                      | 1    | M8x10                  | GB/T70.1=ISO4762     |
| 3   | 9000009674 | Supporting<br>ring of hole | 1    | 43X48X20               |                      |
| 4   | 9000009679 | Piston rod                 | 1    | Two-stage-mast<br>2900 |                      |
|     | 9000009680 |                            |      | Two-stage-mast<br>3200 |                      |
|     | 9000009681 |                            |      | Two-stage-mast<br>3600 |                      |
| 5   | 0000022018 | O ring                     | 2    | 55X3.1                 | GB/T3452.1=ISO3601-1 |
| 6   | 9000009797 | Guide sleeve               | 1    |                        |                      |
| 7   | 9000009666 | Supporting<br>ring of axle | 1    | 42X46X10               |                      |
| 8   | 9000009665 | Seal ring                  | 1    | 42X52.7X4.2            |                      |
| 9   | 9000009663 | Y ring of axle             | 1    | 42X50X7.5/8            |                      |
| 10  | 9000009664 | Circlip                    | 1    | 42X50X2                |                      |
| 11  | 9000009661 | Dust ring                  | 1    | 42X50X5/6.5            |                      |
| 12  | 0000022026 | Washer                     | 1    | 8                      | JB/T982              |
| □,3 | 9000009776 | Sealing<br>assembly        | 1    |                        |                      |



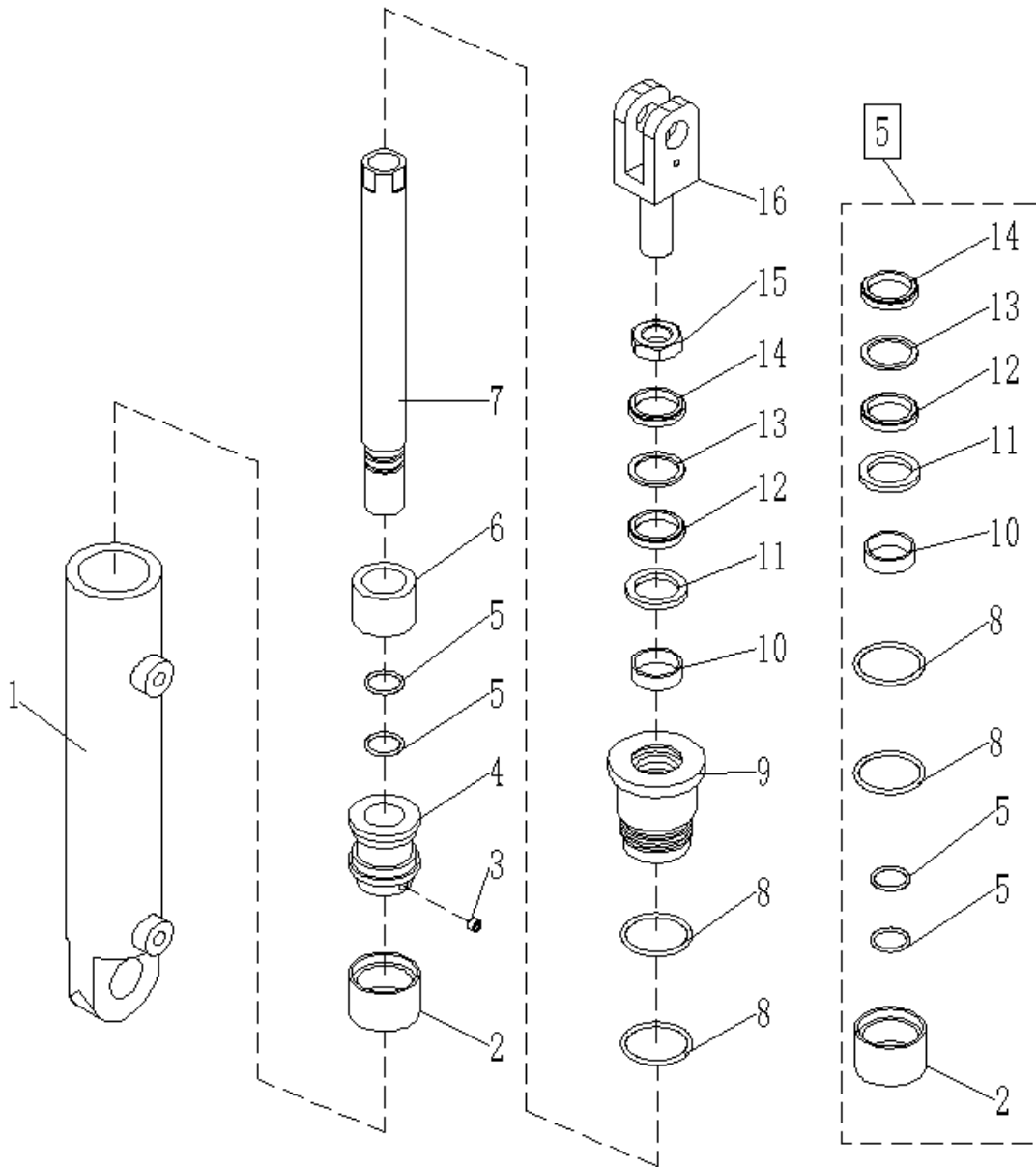
Fig. 34 Free lifting cylinder



**Fig. 34 Free Lifting Cylinder**

| No. | Art No.    | Description             | Qty. | Note                  | Standard             |
|-----|------------|-------------------------|------|-----------------------|----------------------|
| 1   | 9000009700 | Cylinder                | 1    | Three-stage-mast 4000 |                      |
|     | 9000009701 |                         |      | Three-stage-mast 4600 |                      |
|     | 9000009702 |                         |      | Three-stage-mast5000  |                      |
|     | 9000009703 |                         |      | Three-stage-mast5500  |                      |
| 2   | 0000023415 | Screw                   | 1    | M8X10                 | GB/T70.1=ISO4762     |
| 3   | 9000009704 | Supporting ring of hole | 1    | 62X67X20              |                      |
| 4   | 9000009690 | Piston rod              | 1    | Three-stage-mast 4000 |                      |
|     | 9000009691 |                         |      | Three-stage-mast 4600 |                      |
|     | 9000009692 |                         |      | Three-stage-mast5000  |                      |
|     | 9000009693 |                         |      | Three-stage-mast5500  |                      |
| 5   | 0000022070 | O ring                  | 1    | 70X3.1                | GB/T3452.1=ISO3601-1 |
| 6   | 9000009699 | Guide sleeve            | 1    |                       |                      |
| 7   | 9000009698 | Supporting ring of axle | 1    | 60X64X10              |                      |
| 8   | 9000009697 | Seal ring               | 1    | 60X70.7X4.2           |                      |
| 9   | 9000009695 | Axle seal               | 1    | 60X70X6/7             |                      |
| 10  | 9000009696 | Circlip                 | 1    | 60X70X2               |                      |
| 11  | 9000009694 | Dust cover              | 1    | 60X68X5/6.5           |                      |
| 12  | 0000022026 | Washer                  | 1    | 8                     | JB/T982              |
| □,4 | 9000009777 | Sealing assembly        | 1    |                       |                      |

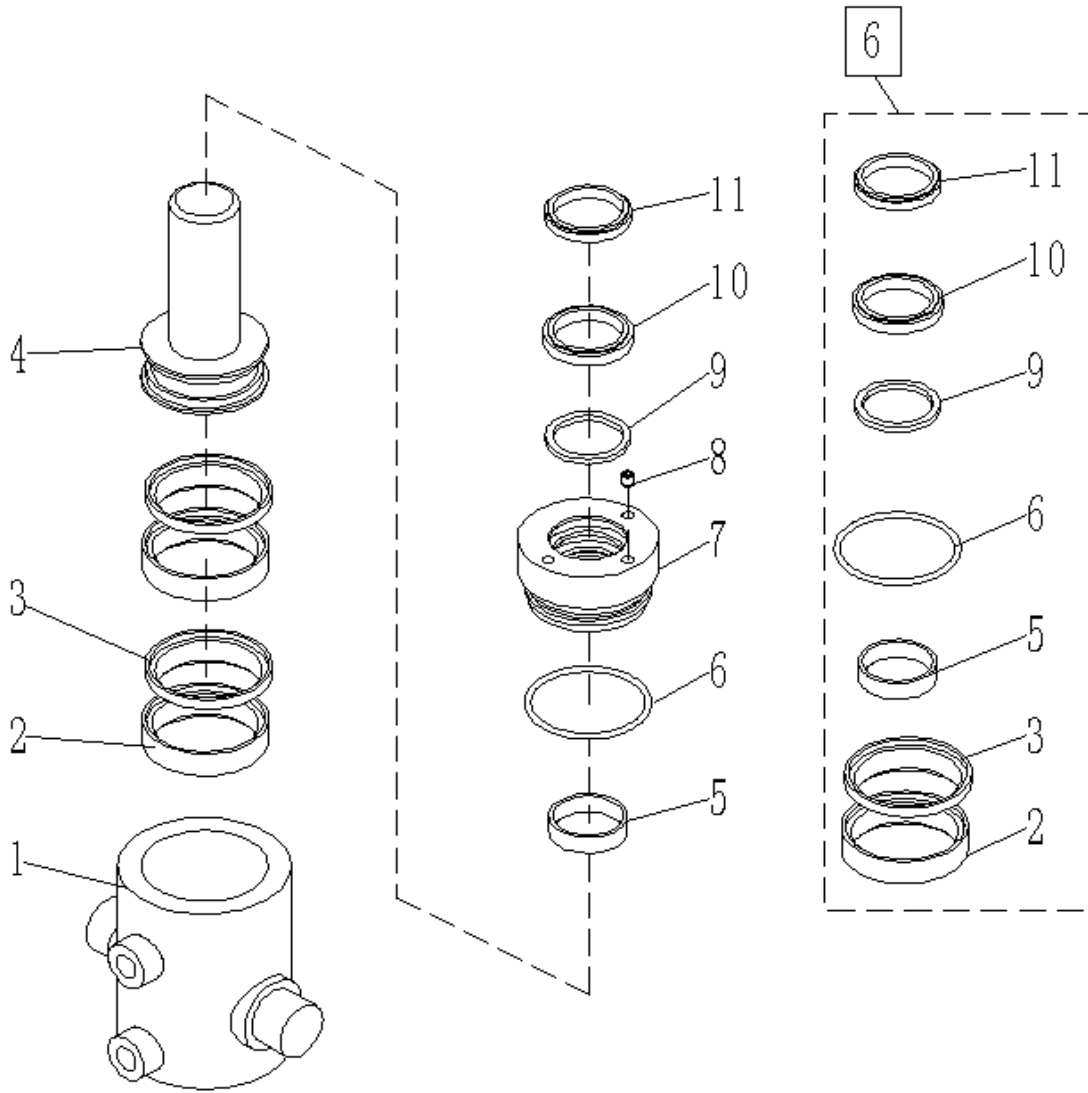
**Fig. 35 Reach forward cylinder**



**Fig. 35 Reach Forward Cylinder**

| No. | Art No.    | Description             | Qty. | Note            | Standard             |
|-----|------------|-------------------------|------|-----------------|----------------------|
| 1   | 9000009713 | Cylinder                | 1    |                 |                      |
| 2   | 9000009716 | Combination seal        | 1    | 45×35×16.4/6.35 |                      |
| 3   | 0090000529 | Screw                   | 1    | M8×8            | GB/T78=ISO4027       |
| 4   | 9000009715 | Piston                  | 1    |                 |                      |
| 5   | 0000022109 | O ring                  | 2    | 25×2.4          | GB/T3452.1=ISO3601-1 |
| 6   | 9000009714 | Bushing                 | 1    |                 |                      |
| 7   | 9000009706 | Piston rod              | 1    |                 |                      |
| 8   | 0000022013 | O ring                  | 2    | 45×3.1          | GB/T3452.1=ISO3601-1 |
| 9   | 9000009712 | Guide sleeve            | 1    |                 |                      |
| 10  | 9000009711 | Supporting ring of axle | 1    | 28×32×10        |                      |
| 11  | 9000009710 | Seal ring               | 1    | 28×38.7×4.2     |                      |
| 12  | 9000009708 | Shaft seal              | 1    | 28×35.5×5/5.7   |                      |
| 13  | 9000009709 | Circlip                 | 1    | 28×35.5×2       |                      |
| 14  | 9000009707 | Dust cover              | 1    | 28×36×4.5/6     |                      |
| 15  | 0000024044 | Nut                     | 1    | M20×1.5         | GB/T6173=ISO8675     |
| 16  | 9000009705 | Joint                   | 1    |                 |                      |
| □,5 | 9000009778 | Sealing assembly        | 1    |                 |                      |

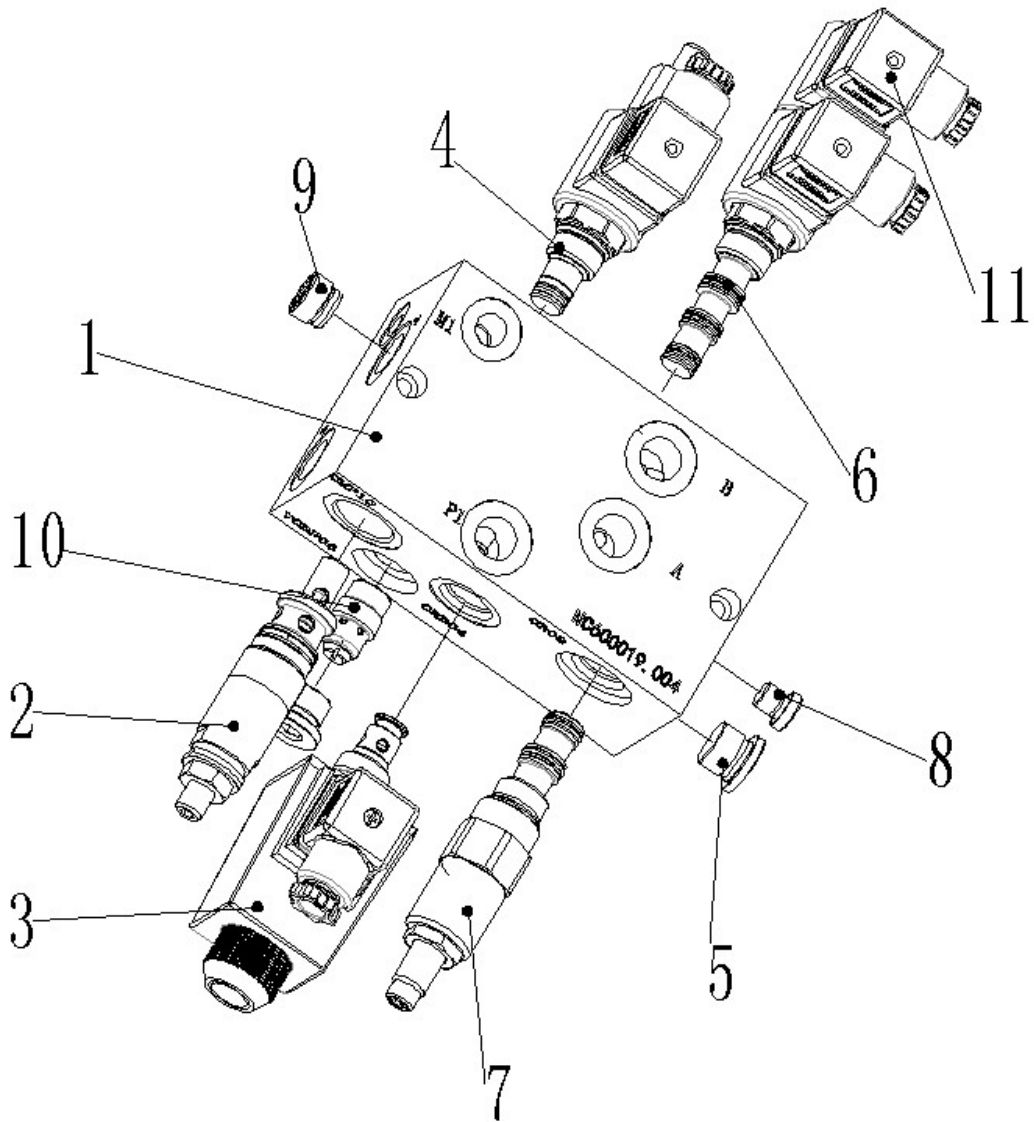
Fig. 36 Tilt cylinder



**Fig. 36 Tilt Cylinder**

| No. | Art No.    | Description      | Qty. | Note        | Standard             |
|-----|------------|------------------|------|-------------|----------------------|
| 1   | 9000009723 | Cylinder         | 1    |             |                      |
| 2   | 9000010041 | Y ring           | 2    | 65X75X6/7   |                      |
| 3   | 9000010042 | Circlip          | 2    | 65X75X2     |                      |
| 4   | 9000009717 | Piston rod       | 1    |             |                      |
| 5   | 9000009722 | Copper bushing   | 1    | 35×39×10    |                      |
| 6   | 0000022025 | O ring           | 1    | 75×3.1      | GB/T3452.1=ISO3601-1 |
| 7   | 9000009720 | Guide sleeve     | 1    |             |                      |
| 8   | 0090000314 | Screw            | 1    | M6×8        | GB/T78=ISO4027       |
| 9   | 9000009721 | Seal ring        | 1    | 35×42.3×3.2 |                      |
| 10  | 9000009719 | Axle seal        | 1    | 35×45×6/7   |                      |
| 11  | 9000009718 | Dust cover       | 1    | 35×43×5/6.5 |                      |
| □,6 | 9000009829 | Sealing assembly | 1    |             |                      |

Fig. 37 Main valve group

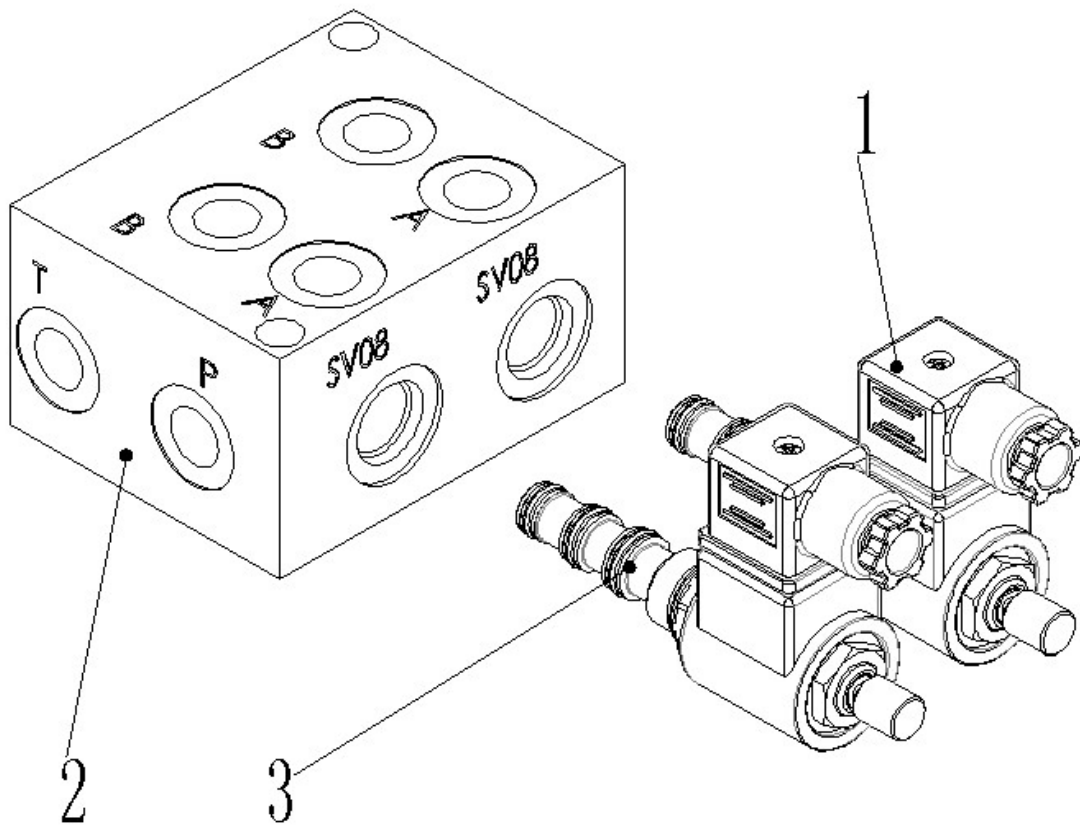


**Fig. 37 Main Valve Group**

| No. | Art No.    | Description        | Qty. | Note                 |
|-----|------------|--------------------|------|----------------------|
| 1   | 9000010319 | Block              | 1    | AL                   |
| 2   | 9000009773 | Overflow valve     | 1    | Max320bar, set180bar |
| 3   | 9000009770 | Solenoid valve     | 1    | 24V DC               |
| 4   | 9000009803 | Proportional valve | 1    | SP08/24V DC          |
| 5   | 2000323001 | PlugG3/8"          | 3    | G3/8"                |
| 6   | 9000010320 | Solenoid valve     | 1    | SV08                 |
| 7   | 9000010321 | Overflow valve     | 1    | CR08/70bar           |
| 8   | 9000010322 | Plug               | 8    | G1/8"                |
| 9   | 9000010323 | One-way valve      | 1    | G3/8"                |
| 10  | 9000009774 | Throttle valve     | 1    | 15L/min              |
| 11  | 9000008877 | Connector          | 3    | DIN                  |



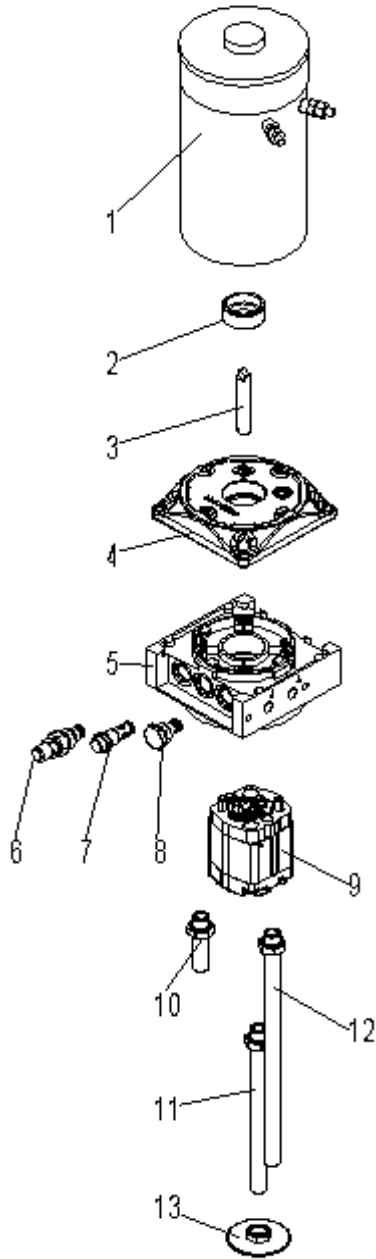
Fig. 38 Reach forward valve group



**Fig. 38 Reach Forward Valve Group**

| No. | Art No.    | Description    | Qty. | Note  |
|-----|------------|----------------|------|-------|
| 1   | 9000009755 | Connector      | 2    | Black |
| 2   | 9000010317 | Block          | 1    | AL    |
| 3   | 9000010318 | Solenoid valve | 2    | 24V   |

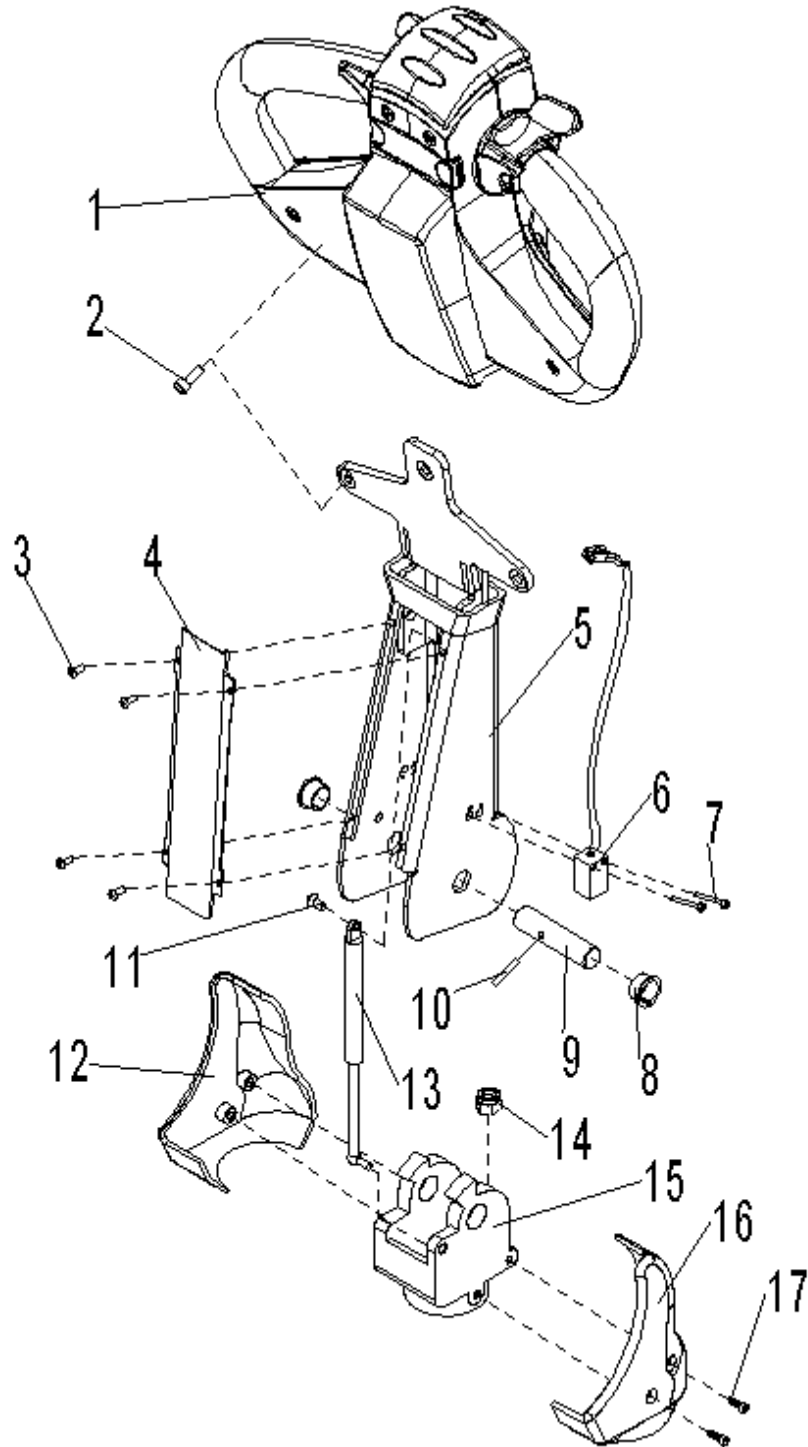
**Fig. 39 Pump system (4.0Kw)**



**Fig. 39 Pump System (4.0Kw)**

| No. | Art No.    | Description    | Qty. | Note    |
|-----|------------|----------------|------|---------|
| 1   | 9000009756 | Motor          | 1    | 24V 4Kw |
| 2   | 9000009757 | Bushing        | 1    |         |
| 3   | 9000009758 | Coupling       | 1    |         |
| 4   | 9000009759 | Flange         | 1    |         |
| 5   | 9000009760 | Flange         | 1    |         |
| 6   | 9000009761 | Overflow valve | 1    |         |
| 7   | 9000009762 | Check valve    | 1    |         |
| 8   | 9000009763 | Screw          | 1    |         |
| 9   | 9000009764 | Pump           | 1    | 4.2cc   |
| 10  | 9000009765 | Hose           | 1    |         |
| 11  | 9000009766 | Hose           | 1    |         |
| 12  | 9000009767 | Hose           | 1    |         |
| 13  | 9000009768 | Filter         | 1    |         |

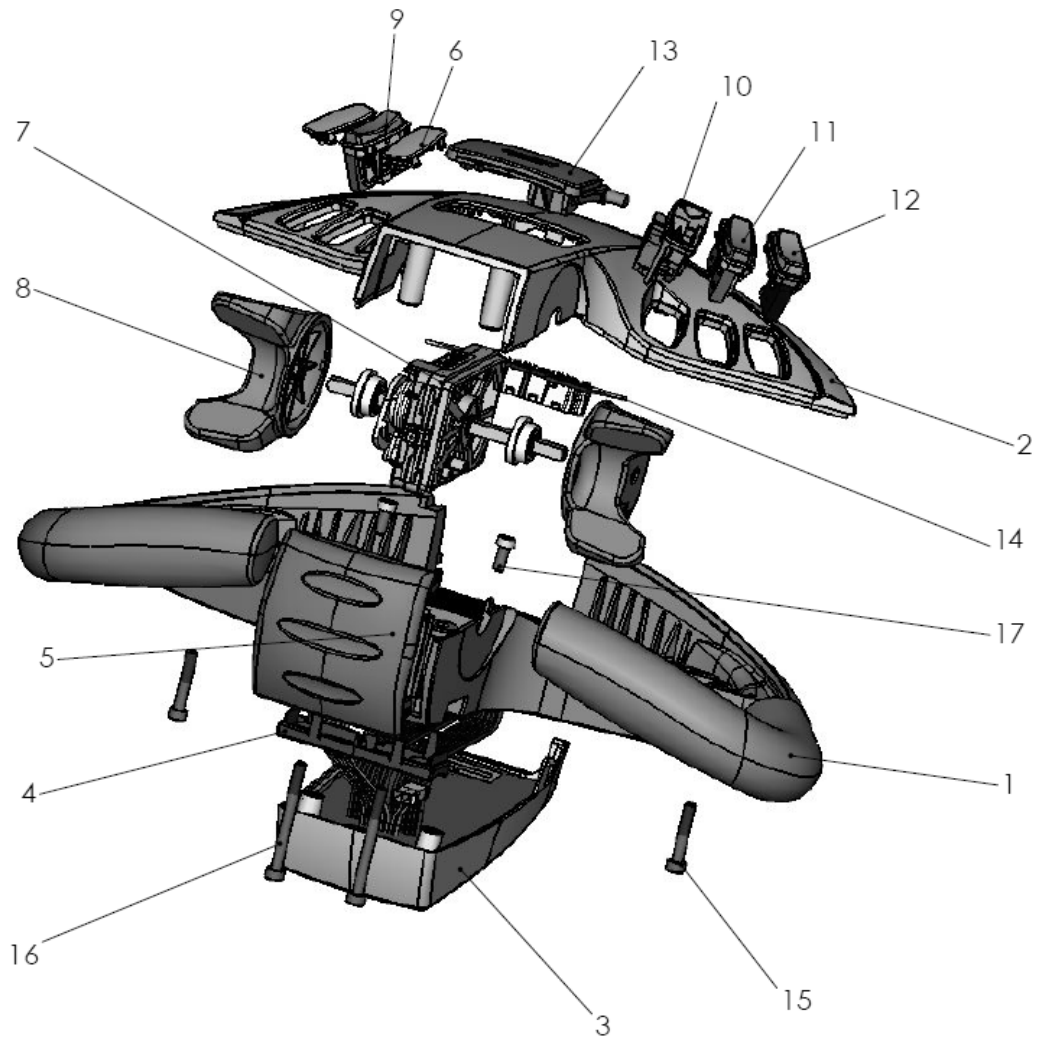
Fig. 40 Handle arm assembly



**Fig. 40 Handle Arm Assembly**

| No. | Art No.    | Description          | Qty. | Note       | Standard          |
|-----|------------|----------------------|------|------------|-------------------|
| 1   | 9000008323 | Handle               | 1    |            |                   |
| 2   | 0000023040 | Screw                | 3    | M6×16      | GB/T70.1=ISO4762  |
| 3   | 1000123003 | Screw                | 4    | M4×8       | GB/T70.2=ISO7380  |
| 4   | 9000008037 | Cover                | 1    |            |                   |
| 5   | 9000008036 | Hander bar           | 1    |            |                   |
| 6   | 9000008327 | Proximity switch     | 1    | NBN5-F7-E2 |                   |
| 7   | 0000023075 | Screw                | 2    | M3×20      | GB/T70.1=ISO4762  |
| 8   | 1000113001 | Bushing              | 2    | □17×19×11  |                   |
| 9   | 9000007928 | Axle                 | 1    |            |                   |
| 10  | 0000028003 | Dowel pin            | 1    | 4×24       | GB/T879.1=ISO8752 |
| 11  | 1000123001 | Screw                | 1    | M8×20      |                   |
| 12  | 9000007930 | Handle cover         | 1    |            |                   |
| 13  | 1000121001 | Air spring<br>(S≥55) | 1    | 450N       |                   |
| 14  | 0000023005 | Nut                  | 2    | M10        | GB/T889.1=ISO7040 |
| 15  | 9000007929 | Handle seat          | 1    |            |                   |
| 16  | 9000007931 | Handle cover         | 1    |            |                   |
| 17  | 0000023519 | Screw                | 4    | M6×10      | GB/T70.2=ISO7380  |

**Fig. 41Handle**



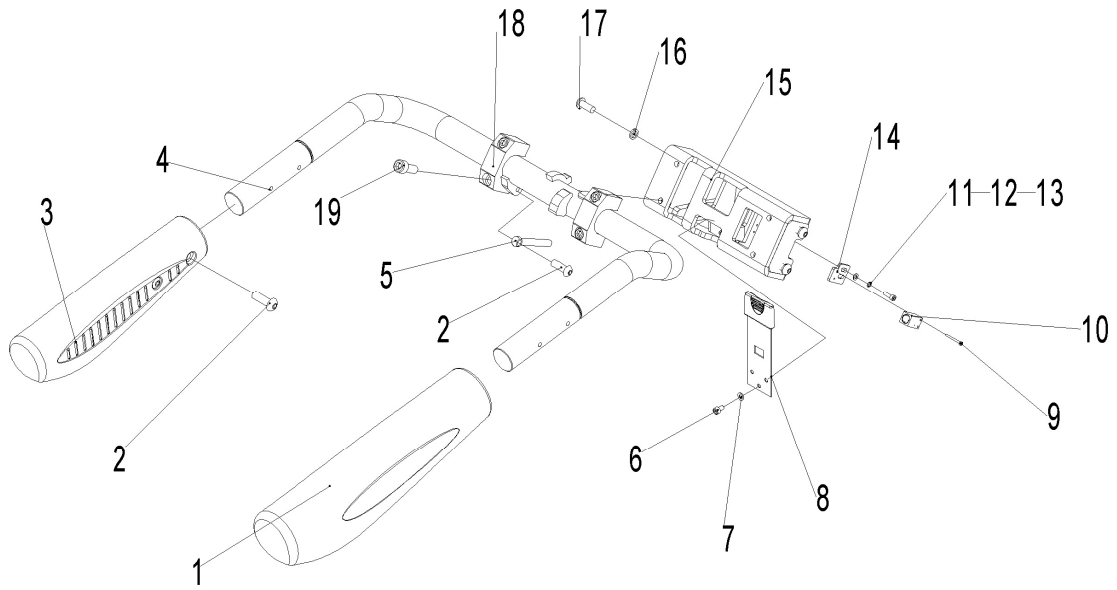
**Fig. 41 Handle**

| No. | Art No.    | Description        | Qty. | Note |
|-----|------------|--------------------|------|------|
| 1   | 9000009837 | Lower cover        | 1    |      |
| 2   | 9000009838 | Upper cover        | 1    |      |
| 3   | 9000009839 | Cover              | 1    |      |
| 4   | 9000009840 | Cap                | 1    |      |
| 5   | 9000009841 | Belly button       | 1    |      |
| 6   | 9000009842 | Cap                | 2    |      |
| 7   | 9000009843 | Accelerator switch | 1    |      |

|    |            |                                    |   |  |
|----|------------|------------------------------------|---|--|
| 8  | 9000009844 | Drive knob                         | 2 |  |
| 9  | 9000009845 | Scissor forward/backward<br>button | 1 |  |
| 10 | 9000009846 | Mast lift/lower button             | 1 |  |
| 11 | 9000009847 | Fork tilt up/down button           | 1 |  |
| 12 | 9000009848 | Slower speed button                | 1 |  |
| 13 | 9000009849 | Horn button                        | 1 |  |
| 14 | 9000009850 | PCB board                          | 1 |  |
| 15 | 9000009851 | Screw                              | 2 |  |
| 16 | 9000009852 | Screw                              | 2 |  |
| 17 | 9000009853 | Screw                              | 2 |  |



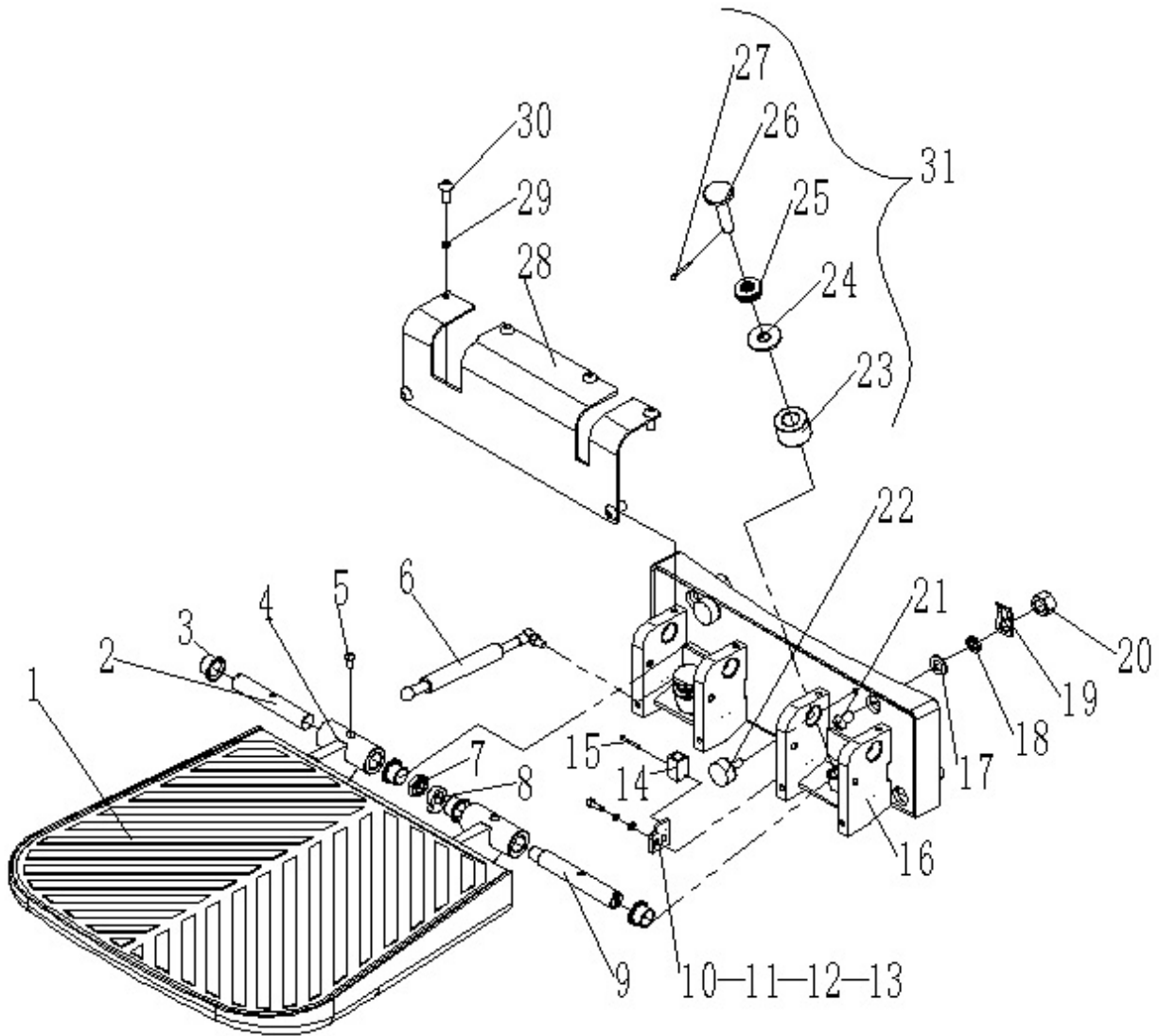
Fig. 42 Protective arm



**Fig. 42 Protective Arm**

| No. | Art No.    | Description                | Qty. | Note       | Standard         |
|-----|------------|----------------------------|------|------------|------------------|
| 1   | 9000007895 | Right protective arm cover | 1    |            |                  |
| 2   | 0090000448 | Screw                      | 5    | M8×20      | GB/T70.2=ISO7380 |
| 3   | 9000007896 | Left protective arm cover  | 1    |            |                  |
| 4   | 9000007894 | Protective arm             | 1    |            |                  |
| 5   | 9000007780 | Air spring                 | 1    |            |                  |
| 6   | 0000023045 | Screw                      | 3    | M6×12      | GB/T70.2=ISO7380 |
| 7   | 0000025010 | Washer                     | 3    | 6          | GB/T93           |
| 8   | 9000007897 | Spring                     | 1    |            |                  |
| 9   | 0000023075 | Screw                      | 2    | M3×20      | GB/T70.1=ISO4762 |
| 10  | 9000008329 | Proximity switch           | 1    | NBN5-F7-E2 |                  |
| 11  | 0000025012 | Washer                     | 2    | 5          | GB/T93           |
| 12  | 0000023032 | Washer                     | 2    | 5          | GB/T95           |
| 13  | 0000023107 | Screw                      | 2    | M5×16      | GB/T70.1=ISO4762 |
| 14  | 9000009799 | Switch transition plate    | 1    |            |                  |
| 15  | 9000007892 | Protective arm seat        | 1    |            |                  |
| 16  | 0000023006 | Washer                     | 4    | 10         | GB/T93           |
| 17  | 0090000447 | Screw                      | 4    | M10×25     | GB/T70.2=ISO7380 |
| 18  | 9000007893 | Protective arm clamp block | 2    |            |                  |
| 19  | 0000023099 | Screw                      | 4    | M10×45     | GB/T70.1=ISO4762 |

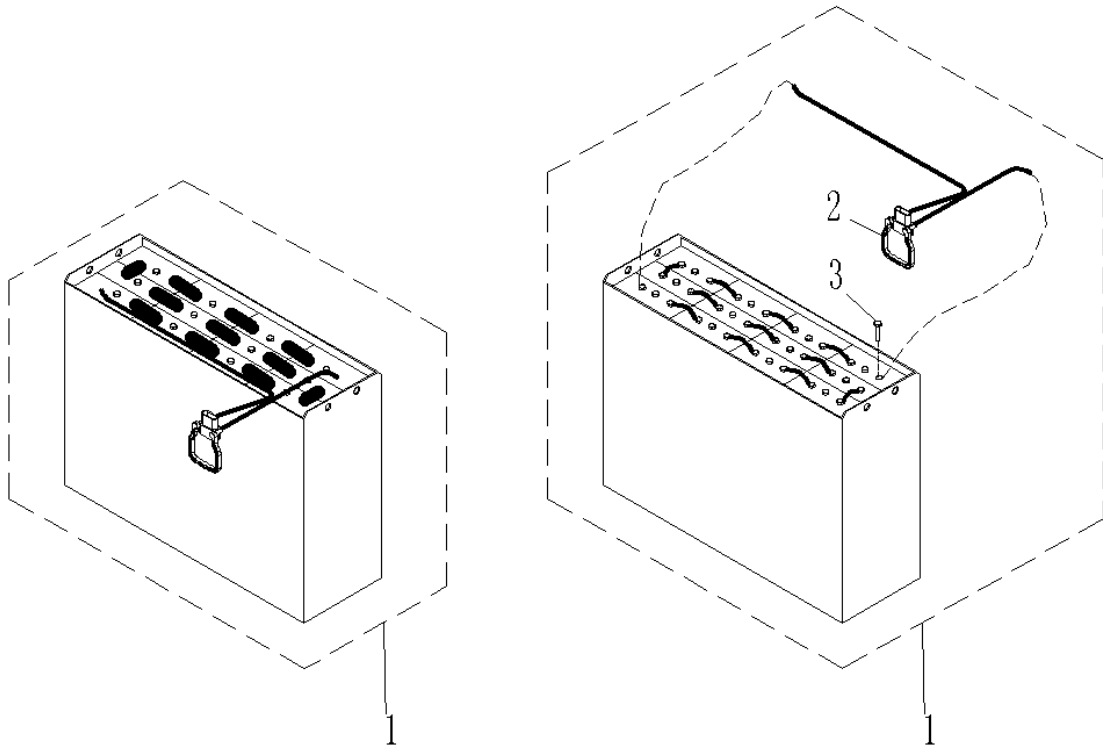
Fig. 43 Foldable platform



**Fig. 43 Foldable Platform**

| No. | Art No.    | Description             | Qty. | Note           | Standard          |
|-----|------------|-------------------------|------|----------------|-------------------|
| 1   | 9000007867 | Pedal pad               | 1    |                |                   |
| 2   | 9000007869 | Rotating axle           | 1    |                |                   |
| 3   | 9000007799 | Bushing                 | 4    | 20×23×16.5     |                   |
| 4   | 9000007863 | Foot platform           | 1    |                |                   |
| 5   | 0000023555 | Screw                   | 2    | M6×16          | GB/T70.2=ISO7380  |
| 6   | 2000421001 | Air spring              | 1    |                |                   |
| 7   | 0000024014 | Nut                     | 1    | M16×1.5        | GB/T6173=ISO8675  |
| 8   | 9000007873 | Cam                     | 1    |                |                   |
| 9   | 9000007866 | Cam shaft               | 1    |                |                   |
| 10  | 0000025012 | Washer                  | 2    | 5              | GB/T93            |
| 11  | 0000023032 | Washer                  | 2    | 5              | GB/T95            |
| 12  | 0000023107 | Screw                   | 2    | M5×16          | GB/T70.1=ISO4762  |
| 13  | 9000009799 | Switch transition plate | 1    |                |                   |
| 14  | 9000008328 | Proximity switch        | 1    | NBN5-F7-E2     |                   |
| 15  | 0000023075 | Screw                   | 2    | M3×20          | GB/T70.1=ISO4762  |
| 16  | 9000007864 | Assemble seat           | 1    |                |                   |
| 17  | 0090000048 | Washer                  | 4    | 12             | GB/T97.1-2002     |
| 18  | 0000025024 | Washer                  | 4    | 12             | GB/T93            |
| 19  | 9000007874 | Line hanging board      | 1    |                |                   |
| 20  | 0000024006 | Lock nut                | 4    | M12            | GB/T889.1=ISO7040 |
| 21  | 0090000450 | Screw                   | 4    | M12×45         | GB/T70.2=ISO7380  |
| 22  | 9000007865 | Cushion                 | 2    |                |                   |
| 23  | 9000007872 | Anti-vibration pad      | 2    |                |                   |
| 24  | 9000007871 | Anti-vibration washer   | 2    |                |                   |
| 25  | 0000031001 | Spring                  | 8    | 16.3×31.5×1.75 | GB/T1972-2005     |
| 26  | 9000007870 | Fixed bolt              | 2    |                |                   |
| 27  | 0000028033 | Split pin               | 2    | 3.2×20         | GB/T91=ISO1234    |
| 28  | 9000007868 | Assembly seat cover     | 1    |                |                   |
| 29  | 0000025010 | Washer                  | 6    | 6              | GB/T93            |
| 30  | 0000023045 | Screw                   | 6    | M6×12          | GB/T70.2=ISO7380  |
| 31  | 9000008897 | Suspension assembly     | 2    |                |                   |

**Fig. 44 Battery**



**Fig. 44 Battery**

| No. | Art No.    | Description | Qty. | Note                       |
|-----|------------|-------------|------|----------------------------|
| 1   | 9000008042 | Battery     | 1    | Weld type                  |
|     | 9000009830 |             |      | Bolt type                  |
| 2   | 9000003987 | Connector   | 1    | Only for bolt type battery |
| 3   | 9000009832 | Screw       | 24   | Only for bolt type battery |

### Easy worn parts list

| No | Art No.    | Description        | Qty | Fig./Position | Note   |
|----|------------|--------------------|-----|---------------|--|
| 1  | 9000007797 | Bushing25×28×22    | 2   | Fig.7/6       | Scissor assembly<br>(Three-stage-mast)                   |
| 2  | 9000007758 | Compound Roller 1  | 4   | Fig.7/14      |  |
| 3  | 0000027040 | Bushing 25×28×25   | 4   | Fig.7/26      |  |
| 4  | 9000007797 | Bushing 25×28×22   | 2   | Fig.8/6       | Scissor assembly<br>(Two-stage-mast)                     |
| 5  | 9000007758 | Compound Roller 1  | 4   | Fig.8/14      |  |
| 6  | 0000027040 | Bushing 25×28×25   | 4   | Fig.8/27      |  |
| 7  | 9000007798 | Bushing 25×28×25.5 | 4   | Fig.9/2       | Fork assembly  |
| 8  | 2400527001 | Bushing 20×23×14   | 2   | Fig.9/3       |  |
| 9  | 9000011906 | Compound Roller    | 4   | Fig.9/11      |  |
| 10 | 9000007796 | Bushing 50×55×23   | 2   | Fig.9/12      |  |
| 11 | 0000027001 | Bearing 6204       | 8   | Fig.10/4      | Load roller assembly (Tandem)                            |
| 12 | 9000007769 | Load roller 102×70 | 4   | Fig.10/5      |  |
| 13 | 2400527001 | Bushing 20×23×14   | 4   | Fig.10/6      |  |
| 14 | 9000003645 | Load roller        | 4   | Fig.10/□,2    |  |
| 15 | 0000027011 | Bearing 6307       | 4   | Fig.11/5      | Load roller assembly (Single)                            |
| 16 | 2400405002 | Load roller 230X80 | 2   | Fig.11/6      |  |
| 17 | 9000003986 | Load roller        | 2   | Fig.11/□,2    |  |
| 18 | 9000007758 | Compound roller    | 4   | Fig.12/11     | Mast assembly<br>(Three-stage-mast)                      |
| 19 | 9000007757 | Compound Roller    | 4   | Fig.12/13     |  |
| 20 | 9000007757 | Compound roller    | 4   | Fig.13/10     | Mast components<br>(Two-stage-mast)                      |
| 21 | 9000007804 | Hinge              | 2   | Fig.14/9      | Cover structure<br>(Three-stage-mast)                    |
| 22 | 9000007804 | Hinge              | 2   | Fig.15/9      | Cover structure<br>(Two-stage-mast)                      |
| 23 | 9000007807 | Lock               | 2   | Fig.16/2      | Truck body   |
| 24 | 0000027060 | Bearing 6202       | 12  | Fig.17/3      | Roller assembly  |
| 25 | 1000434040 | Fuse10A            | 2   | Fig.21/6      | Electrical steering assembly<br>Lifting hydraulic system |
| 26 | 9000008635 | Fuse350A           | 1   | Fig.21/10     |  |

|    |            |                       |    |            |   |
|----|------------|-----------------------|----|------------|---|
| 27 | 3042434014 | Fuse15A               | 1  | Fig.21/26  | (Three-stage-mast)<br>Left lifting cylinder<br>(Three-stage-mast) |
| 28 | 9000007806 | Damper                | 1  | Fig.24/7   | Left lifting cylinder<br>(Two-stage-mast)                         |
| 29 | 0000027012 | Bearing6206           | 2  | Fig.25/24  | Right lifting cylinder<br>(Three-stage-mast)                      |
| 30 | 9000009776 | Sealing assembly      | 1  | Fig.30/□,3 | Right lifting cylinder<br>(Two-stage-mast)                        |
| 31 | 9000009776 | Sealing assembly      | 1  | Fig.31/□,3 | Electrical steering components                                    |
| 32 | 9000009776 | Sealing assembly      | 1  | Fig.32/□,3 | Lifting hydraulic system<br>(Three-stage-mast)                    |
| 33 | 9000009776 | Sealing assembly      | 1  | Fig.33/□,3 | Left lifting cylinder<br>(Three-stage-mast)                       |
| 34 | 9000009777 | Sealing assembly      | 1  | Fig.34/□,4 | Free lifting cylinder   |
| 35 | 9000009778 | Sealing assembly      | 1  | Fig.35/□,5 | Reach forward cylinder  |
| 36 | 9000009829 | Sealing assembly      | 1  | Fig.36/□,6 | Tilt cylinder   |
| 37 | 1000113001 | Bushing17×19×11       | 2  | Fig.40/8   | Handle arm assembly   |
| 38 | 1000121001 | Air spring(S≥55) 450N | 1  | Fig.40/13  |   |
| 39 | 9000007780 | Air spring            | 1  | Fig.42/5   | Protective arm  |
| 40 | 9000007897 | Spring                | 1  | Fig.42/9   |   |
| 41 | 9000007799 | Bushing               | 4  | Fig.43/3   | Foldable platform   |
| 42 | 2000421001 | Air spring            | 1  | Fig.43/6   |   |
| 43 | 9000008897 | Suspension assembly   | 2  | Fig.43/31  |   |
| 44 | 9000003987 | Connector             | 1  | Fig.44/2   | Battery   |
| 45 | 9000009832 | Screw                 | 24 | Fig.44/3   |   |