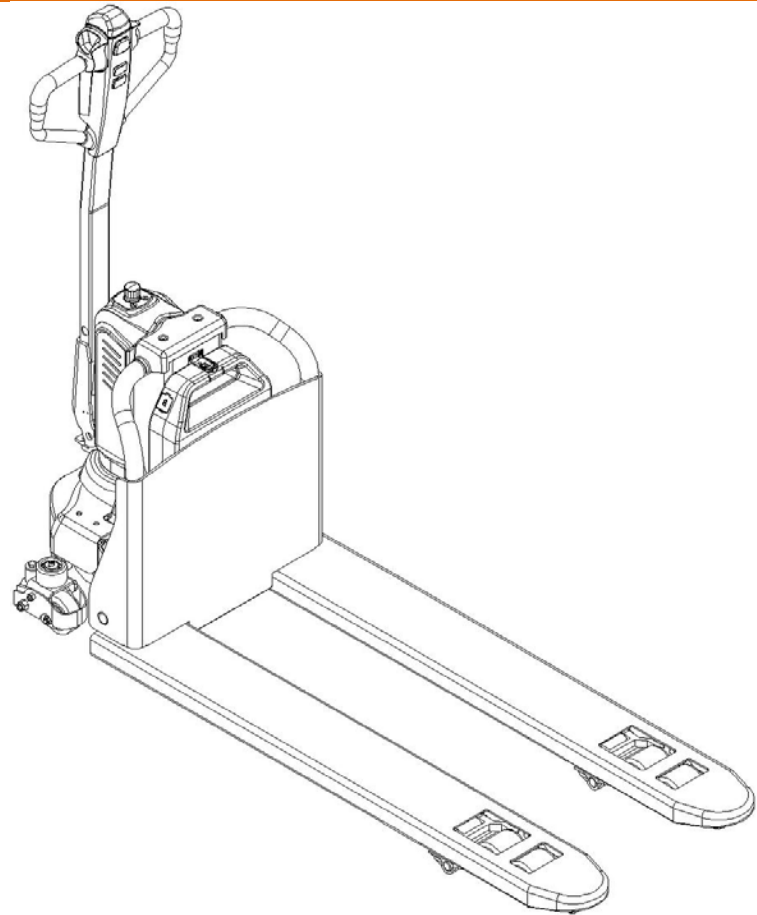


# SPARE PARTS LIST

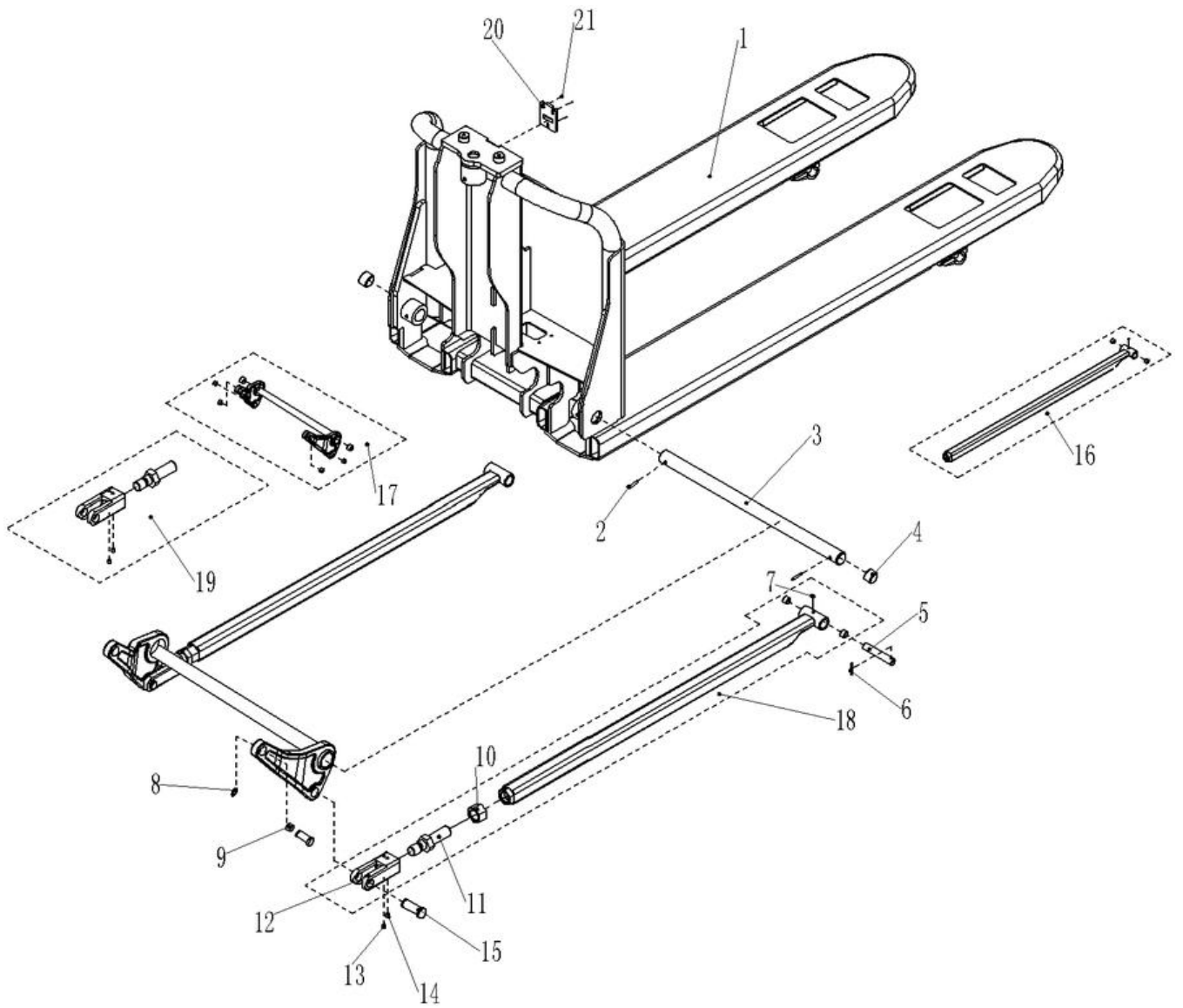
## Electric Pallet Truck PTE12N



# Catalogue

|  |    |
|--|----|
| Fig. 1 Chassis (540x1150) .....                                | 3  |
| Fig. 2 Chassis (685x1150) .....                                | 5  |
| Fig. 3 Load roller components .....                            | 7  |
| Fig. 4 Driving unit .....                                      | 9  |
| Fig. 5 Driving wheel components .....                          | 11 |
| Fig. 6 Cylinder .....  | 12 |
| Fig. 7 Power unit .....  | 13 |
| Fig. 8 Hydraulic components .....                              | 14 |
| Fig. 9 Steering wheel components (with side rollers) .....     | 15 |
| Fig. 10 Steering wheel components (without side rollers) ..... | 17 |
| Fig. 11 Tiller head .....                                      | 18 |
| Fig. 12 Tiller arm components .....                            | 20 |
| Fig. 13 Truck components .....                                 | 22 |
| Fig. 14 Power supply assembly .....                            | 24 |
| Fig. 15 Controller components .....                            | 25 |
| Fig. 16 Charger .....  | 27 |
| Fig. 17 Wiring harness .....                                   | 28 |
| Fig. 18 Sticker (EU) .....                                     | 29 |
| Fig. 19 Sticker (US) .....                                     | 30 |
| Easy worn parts list .....                                     | 31 |

**Fig. 1 Chassis (540x1150)**



**Fig. 1 Fig. 1 Chassis (540x1150)**

| No. | Art No.      | Description   | Qty. | Note |
|-----|--------------|---|------|------|
| 1   | 507938510000 | Chassis welding (EU540X1150)                                      | 1    |      |
|     | 507938510002 | Chassis welding (Single540X1150)                                  | 1    |      |
|     | 507938510004 | Chassis welding (EU520X1150)                                      | 1    |      |
|     | 507938510005 | Chassis welding (Single520X1150)                                  | 1    |      |
| 2   | 910600400041 | Cylindrical pin GB879.1-6x40                                      | 2    |      |
| 3   | 507938520012 | Axle $\Phi$ 24.6x498  | 1    |      |
| 4   | 940500100097 | Bushing $\Phi$ 24.6x $\Phi$ 29x25-SF-1(With grease storage holes) | 2    |      |
| 5   | 502338520030 | Push rod Axle $\Phi$ 16x82  | 2    |      |
| 6   | 910600400024 | Cylindrical pin GB879.1-5x28                                      | 2    |      |
| 7   | 911200100001 | Grease nipple JB7940.4-6  | 2    |      |
| 8   | 910401300007 | Circlip GB894.1-16  | 4    |      |
| 9   | 940500100083 | Bushing $\Phi$ 16x $\Phi$ 18x15-SF-1(With grease storage holes)   | 8    |      |
| 10  | 910300400008 | Nut GB6173-M20x1.5-05   | 2    |      |
| 11  | 508038520029 | Bolt  | 2    |      |
| 12  | 508038520028 | Push rod fork   | 2    |      |
| 13  | 910201000005 | Screw GB79-M6x8-45H   | 2    |      |
| 14  | 910600400015 | Cylindrical pin 4x30  | 2    |      |
| 15  | 508038520041 | Axle $\Phi$ 16x44   | 4    |      |
| 16  | 508098510000 | Push rod components (1150)  | 2    | 1150 |
| 17  | 508098510001 | Rock arm components (540)   | 1    |      |
|     | 507998510000 | Rock arm components (520)   | 1    |      |
| 18  | 508098510002 | Push rod kits (1150)  | 2    | 1150 |
| 19  | 508098510004 | Push rod fork components  | 2    |      |
| 20  | 508038520109 | Locker  | 1    |      |
| 21  | 910200500034 | Screw GB818-M4x8-4.8  | 3    |      |



**Fig. 2 Chassis (685x800/915/1000/1150/1220)**

| No. | Art No.      | Description   | Qty. | Note |
|-----|--------------|---|------|------|
| 1   | 507938510001 | Chassis welding (EU685X1150)  | 1    |      |
|     | 507938510003 | Chassis welding<br>(Single685X1150)                                     | 1    |      |
| 2   | 910600400041 | Cylindrical pin GB879.1-6x40  | 2    |      |
| 3   | 507938520022 | Axle $\Phi$ 24.6x643  | 1    |      |
| 4   | 940500100097 | Bushing<br>$\Phi$ 24.6x $\Phi$ 29x25-SF-1(With<br>grease storage holes) | 4    |      |
| 5   | 502338520030 | Push rod Axle $\Phi$ 16x82  | 2    |      |
| 6   | 910600400024 | Cylindrical pin GB879.1-5x28  | 2    |      |
| 7   | 911200100001 | Grease nipple JB7940.4-6  | 2    |      |
| 8   | 940500100083 | Bushing<br>$\Phi$ 16x $\Phi$ 18x15-SF-1(With grease<br>storage holes)   | 8    |      |
| 9   | 910401300007 | Circlip GB894.1-16  | 4    |      |
| 10  | 910300400008 | Nut GB6173-M20x1.5-05   | 2    |      |
| 11  | 508038520029 | Bolt  | 2    |      |
| 12  | 508038520028 | Push rod fork   | 2    |      |
| 13  | 910201000005 | Screw GB79-M6x8-45H   | 2    |      |
| 14  | 910600400015 | Cylindrical pin 4x30  | 2    |      |
| 15  | 508038520041 | Axle $\Phi$ 16x44   | 4    |      |
| 16  | 508098510003 | Rock arm components (685)   | 1    |      |
| 17  | 508098510000 | Push rod components (1150)  | 2    | 1150 |
| 18  | 508098510002 | Push rod kits (1150)  | 2    | 1150 |
| 19  | 508098510004 | Push rod fork components  | 2    |      |
| 20  | 508038520109 | Locker  | 1    |      |
| 21  | 910200500034 | Screw GB818-M4x8-4.8  | 3    |      |

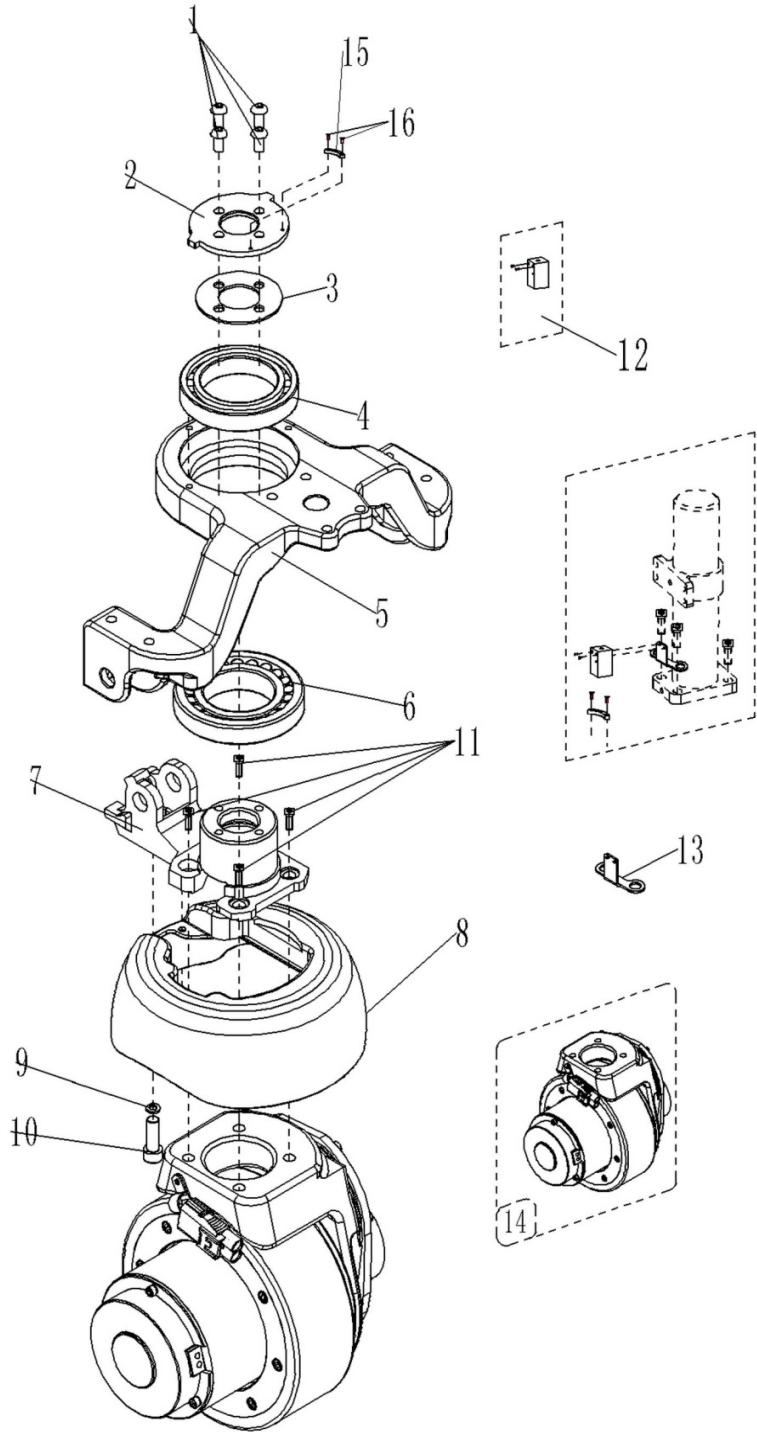


**Fig. 3 Load Roller Components**

| No. | Art No.      | Description  | Qty.                   | Note   |
|-----|--------------|--|------------------------|--------|
| 1   | 508098510048 | Frame of roller components<br>(Single)   | 2                      |        |
| 2   | 502317020000 | Linking plate  | 4                      | Tandem |
| 3   | 940600500013 | Washer $\Phi 25 \times \Phi 20.5 \times 1$   | 8/4(Tandem/Si<br>ngle) |        |
| 4   | 910700200019 | Bearing GB276-6204-2RS   | 8/4(Tandem/Si<br>ngle) |        |
| 5   | 940300300005 | Roller $\Phi 80 \times 70$ (Steel core PU)   | 4(Tandem)              |        |
| 6   | 910600400027 | Cylindrical pin GB879.1-5x35   | 8(Tandem)              |        |
| 7   | 502317020001 | Wheel axle $\Phi 20 \times 94$   | 4(Tandem)              |        |
| 8   | 910600400027 | Cylindrical pin GB879.1-5x35   | 8(Tandem)              |        |
| 9   | 301017020001 | Wheel axle $\Phi 20 \times 122$  | 2(Single)              |        |
| 10  | 940300300023 | Roller $\Phi 80 \times 93$ (Steel core PU)   | 2(Single)              |        |
| 11  | 940500200038 | Bushing (With<br>shoulder) $\Phi 18 \times \Phi 20 \times 12$ -SF-1(W<br>ith grease storage holes) | 4 (Tandem)             |        |
| 12  | 940500100088 | Bushing<br>$\Phi 20 \times \Phi 22 \times 12$ -SF-1(With<br>grease storage holes)                  | 4                      |        |
| 13  | 502398510014 | Wheel set kits (Single)  | 2                      |        |
| 14  | 502398510003 | Entry roller kits  | 2                      |        |
| 15  | 508098510049 | Roller kits (Tandem)   | 2                      |        |
| 16  | 508098510050 | Roller kits (Single)   | 2                      |        |
| 17  | 508098510051 | Frame of roller components<br>(Tandem)   | 2                      |        |
| 18  | 502398510002 | Wheel set kits (Tandem)  | 4                      |        |
| 19  | 508038520030 | Axle $\Phi 20 \times 158$  | 2                      |        |



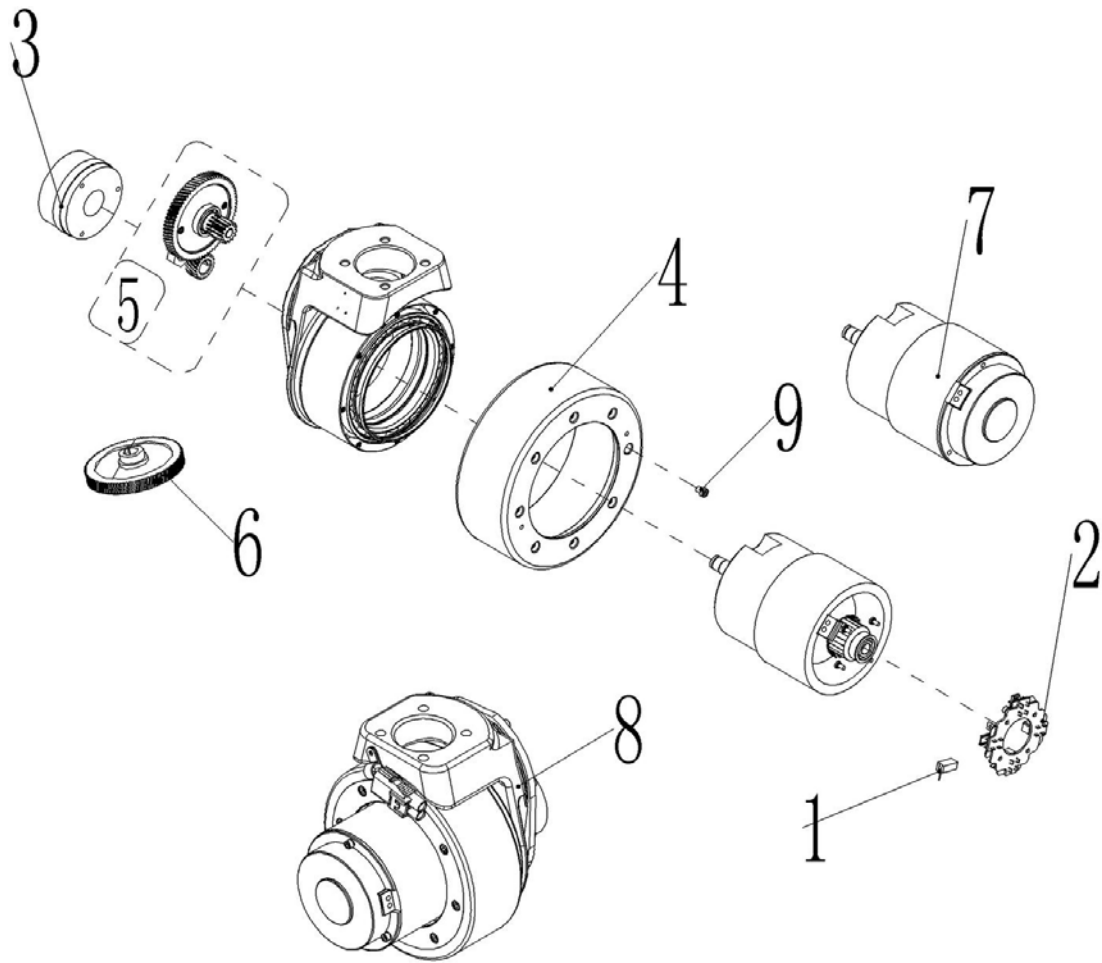
Fig. 4 Driving unit



**Fig. 4 Driving Unit**

| No. | Art No.      | Description                 | Qty. | Note                          |
|-----|--------------|-----------------------------|------|-------------------------------|
| 1   | 910200300024 | Screw GB70.2-M8x16-8.8      | 4    |                               |
| 2   | 508013520003 | Bearing cap                 | 1    |                               |
| 3   | 508013520004 | Washer                      | 1    |                               |
| 4   | 910700200058 | Bearing GB276-6013-2RS      | 1    |                               |
| 5   | 508013520000 | Driving wheel seat          | 1    |                               |
| 6   | 910700600044 | Bearing GB297-32913         | 1    |                               |
| 7   | 508013520001 | Linking flange              | 1    |                               |
| 8   | 508013520101 | Round cover                 | 1    |                               |
| 9   | 910400100005 | Washer GB97.1-6-200HV       | 2    |                               |
| 10  | 910200200032 | Screw GB70.1-M6x10-8.8      | 2    |                               |
| 11  | 910200200076 | Screw GB70.1-M10x25-8.8     | 4    |                               |
| 12  | 508098510012 | Proximity switch components | 1    | With speed reduction on curve |
| 13  | 508033020003 | Frame                       | 1    | With speed reduction on curve |
| 14  | 508098510014 | Driving components          | 1    |                               |
|     | 508098510052 | Driving components (PU)     |      |                               |
| 15  | 508033020002 | Sensor block                | 1    |                               |
| 16  | 910200700001 | Screw GB820-M4x10-4.8       | 2    |                               |

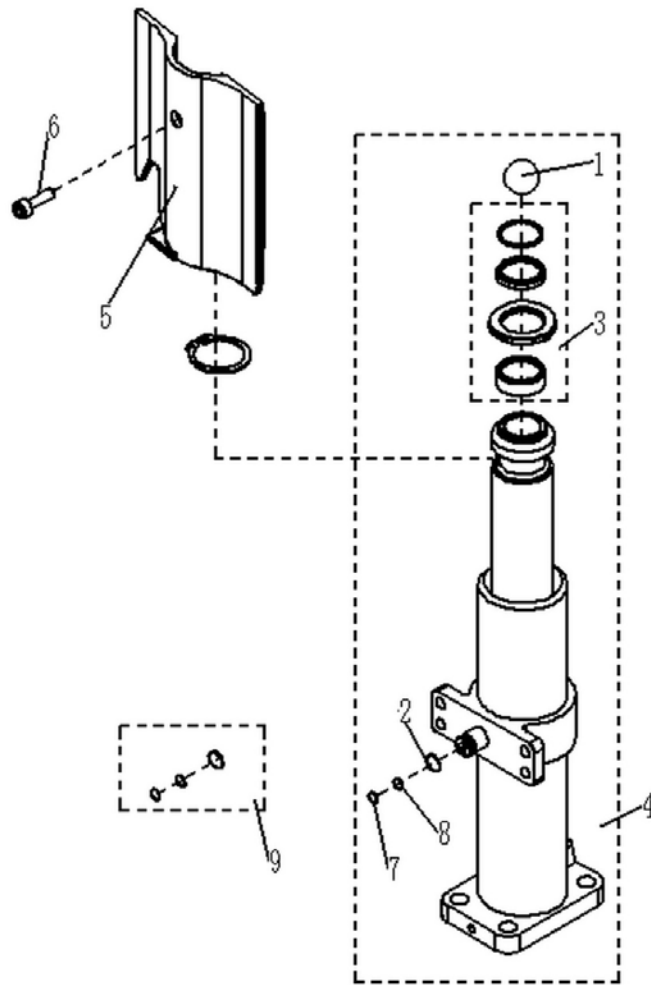
**Fig. 5 Driving wheel components**



**Fig. 5 Driving Wheel Components**

| No. | Art No.      | Description                  | Qty. | Note |
|-----|--------------|------------------------------|------|------|
| 1   | 508098520000 | Carbon brush                 | 4    |      |
| 2   | 508098520001 | Carbon brush frame           | 1    |      |
| 3   | 508098520002 | Brake                        | 1    |      |
| 4   | 508098520003 | Wheel ring                   | 1    |      |
|     | 508098520026 | Wheel ring (PU)              |      |      |
| 5   | 508098510015 | Gear wheel components        | 1    |      |
| 6   | 508098520004 | Gear ring                    | 1    |      |
| 7   | 508098510016 | Motor components             | 1    |      |
| 8   | 508098510014 | Driving components           | 1    |      |
|     | 508098510052 | Driving components (PU)      |      |      |
| 9   | 910200200167 | Screw with washer M6 x20-8.8 | 8    |      |

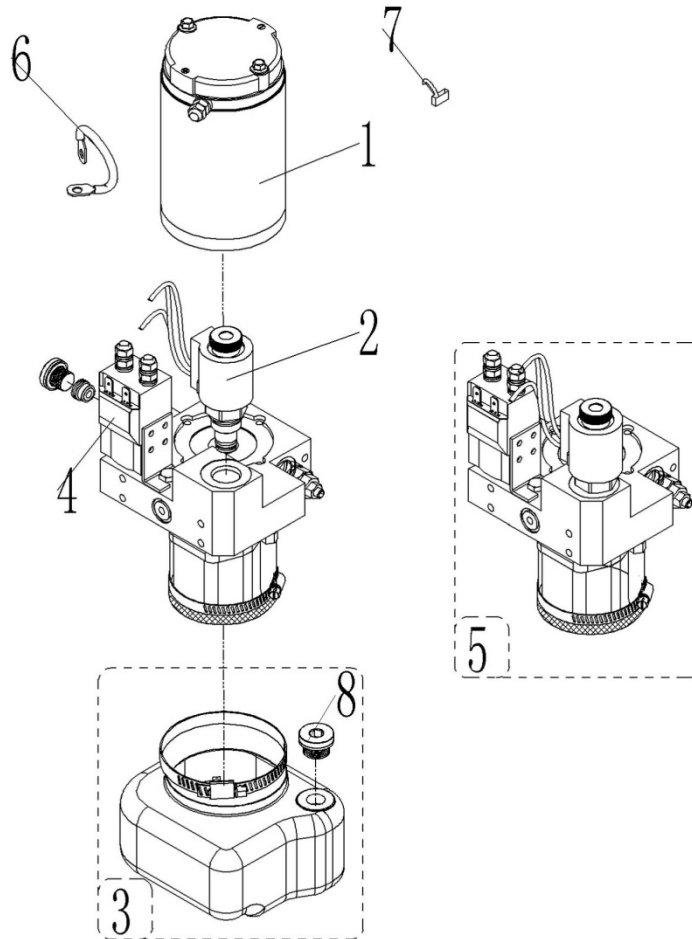
**Fig. 6 Cylinder**



**Fig. 6 Cylinder**

| No. | Art No.      | Description            | Qty. | Note     |
|-----|--------------|------------------------|------|----------|
| 1   | 910701100019 | Steel ball GB308-18    | 1    |          |
| 2   | 910800100098 | O ring                 | 1    | 13.5x1.8 |
| 3   | 508098510018 | Sealing components     | 1    |          |
| 4   | 508024010003 | Cylinder assembly      | 1    |          |
| 5   | 508024020103 | Cylinder cover         | 1    |          |
| 6   | 910200200033 | Screw GB70.1-M6x12-8.8 | 1    |          |
| 7   | 910800800003 | Circlip 12.7x9.8x1.25  | 1    |          |
| 8   | 910800100001 | O ring -inner 9.5x1.8  | 1    |          |
| 9   | 508598510004 | Sealing components     | 1    |          |

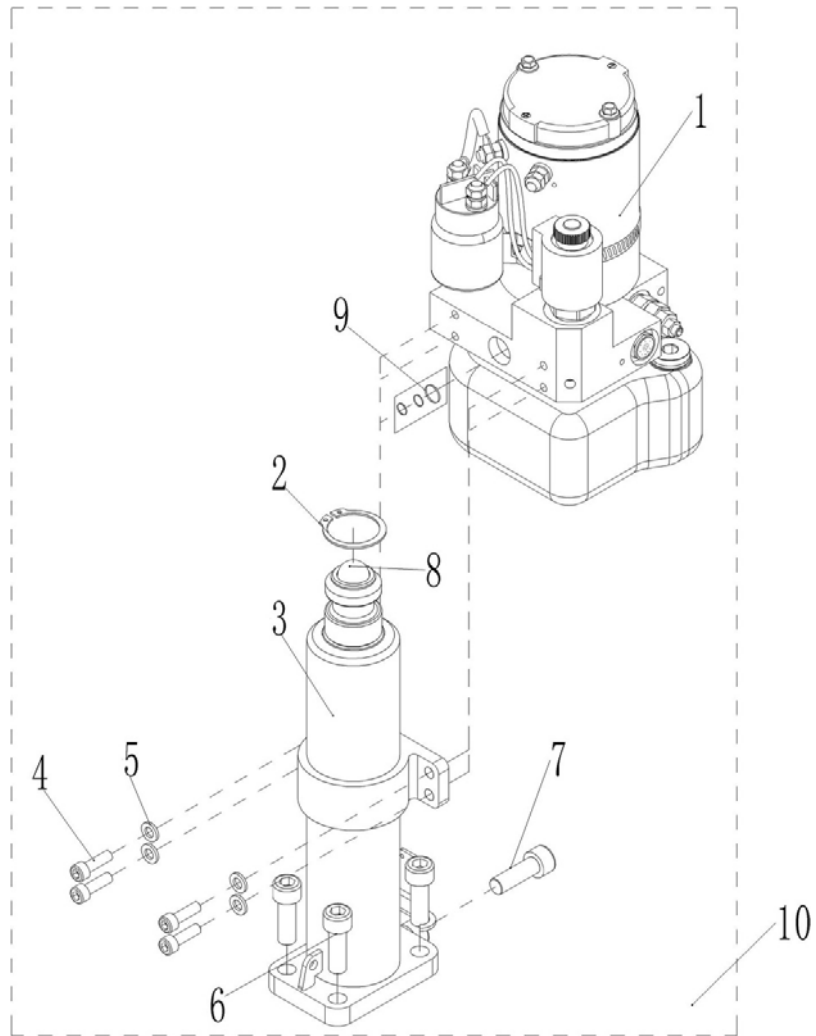
**Fig. 7 Power unit**



**Fig. 7 Power Unit**

| No. | Art No.      | Description                      | Qty. | Note             |
|-----|--------------|----------------------------------|------|------------------|
| 1   | 508098510020 | DC Motor                         | 1    | MD24050          |
| 2   | 508098510034 | Electromagnetic valve components | 1    |                  |
| 3   | 508098510023 | Oil tank components              | 1    |                  |
| 4   | 508098510021 | Relay                            | 1    | ZJWP80DE         |
| 5   | 508098510053 | Gear pump components             | 1    | Tandem 层 Sealing |
| 6   | 508098520007 | Linking cable                    | 1    | RSWC-04          |
| 7   | 508098520008 | Brush                            | 1    |                  |
| 8   | 508598510009 | Cap                              | 1    | Z3/8             |

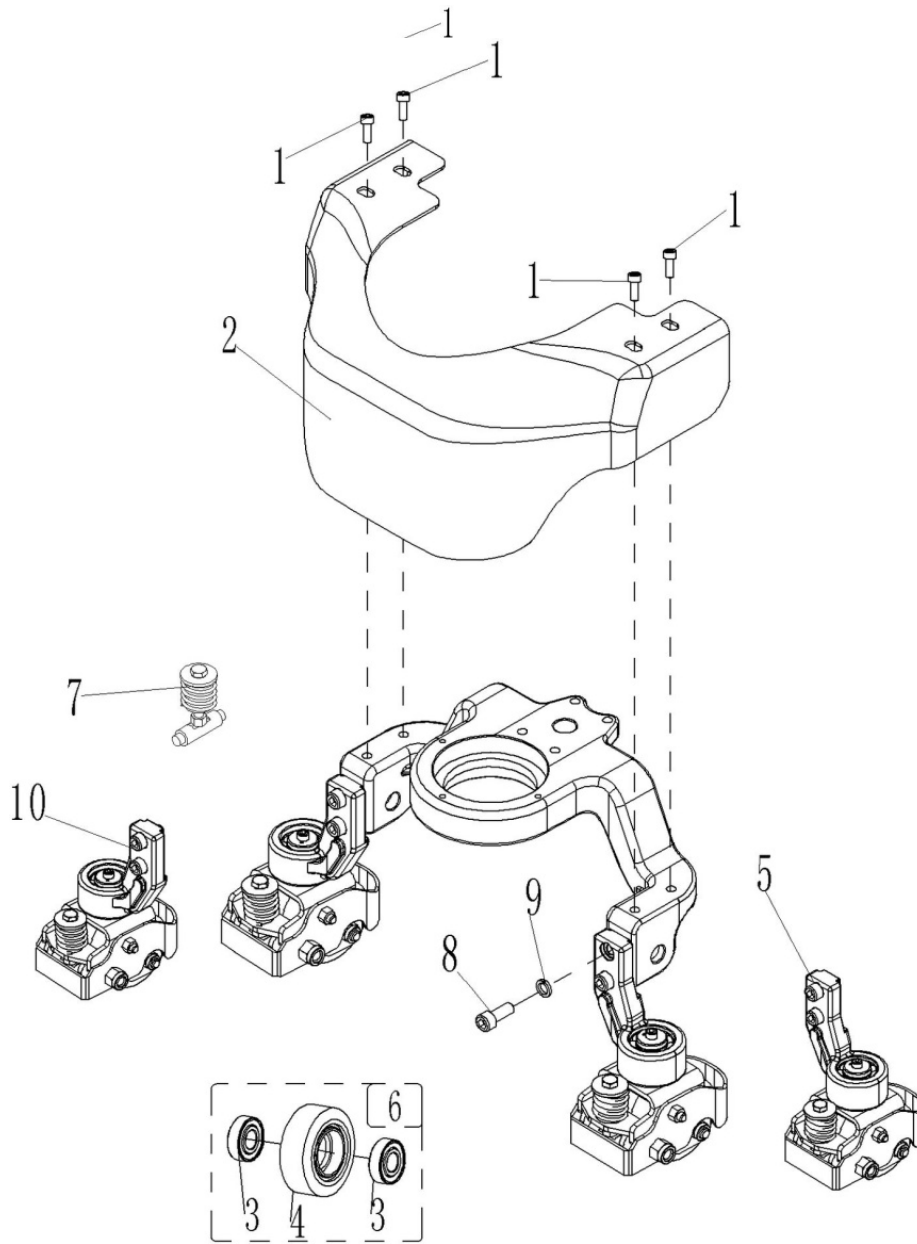
**Fig. 8 Hydraulic components**



**Fig. 8 Hydraulic Components**

| No. | Art No.      | Description                            | Qty. | Note |
|-----|--------------|--|------|------|
| 1   | 950900100060 | Hydraulic power unit<br>24V0.5KW0.38cc | 1    |      |
| 2   | 910401300017 | Circlip GB894.1-32                     | 1    |      |
| 3   | 508024010003 | Cylinder assembly                      | 1    |      |
| 4   | 910200200036 | Screw GB70.1-M6x20-8.8                 | 7    |      |
| 5   | 910400100005 | Washer GB97.1-6-200HV                  | 7    |      |
| 6   | 910200200077 | Screw GB70.1-M10x30-8.8                | 4    |      |
| 7   | 910200200160 | Screw GB70.1-M6x6-12.9-c1B             | 1    |      |
| 8   | 910701100019 | Steel ball GB308-18                    | 1    |      |
| 9   | 508598510004 | Sealing components                     | 1    |      |
| 10  | 508098510054 | Hydraulic components                   | 1    |      |

**Fig. 9 Steering wheel components (with side rollers)**

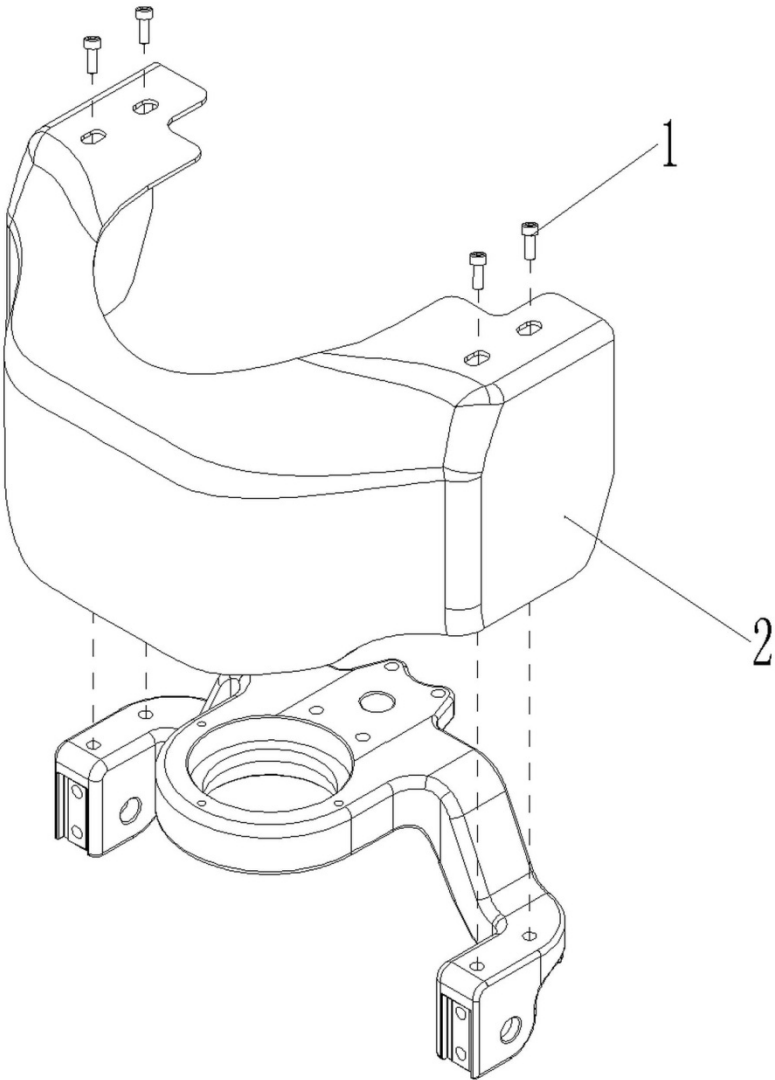


**Fig. 9 Steering Wheel Components (with side rollers)**

| No. | Art No.      | Description                                       | Qty. | Note                     |
|-----|--------------|---|------|--------------------------|
| 1   | 941100100005 | Screw M10x15-8.8                                  | 4    |                          |
| 2   | 508016520000 | Driving cover (Side roller)                       | 1    | Ground clearance<br>35mm |
|     | 508016520008 |   |      | Ground clearance<br>45mm |
| 3   | 910700200018 | Bearing GB276-6203-2RS                            | 4    |                          |
| 4   | 940300300017 | Roller $\Phi$ 80x30(Steel core<br>PU)             | 2    |                          |
| 5   | 508016510005 | Side roller components<br>$\Phi$ 80x30(PU/Right ) | 1    |                          |
| 6   | 502398510015 | Roller components                                 | 2    |                          |
| 7   | 508098510047 | Spring components                                 | 2    |                          |
| 8   | 910200200076 | Screw GB70.1-M10x25-8.8                           | 4    |                          |
| 9   | 910400100007 | Washer GB97.1-10-200HV                            | 4    |                          |
| 10  | 508016510002 | Side roller components<br>$\Phi$ 80x30(PU/Left )  | 1    |                          |



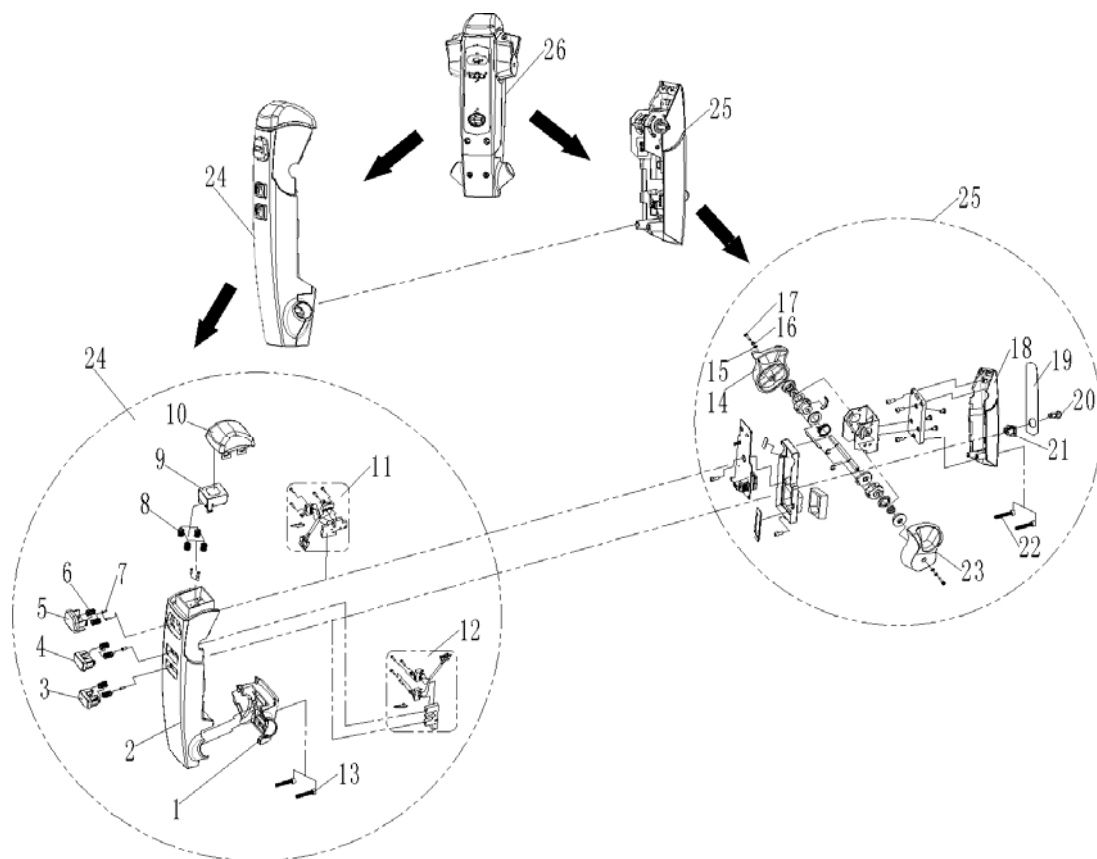
**Fig. 10 Steering wheel components (without side rollers)**



**Fig. 10 Steering Wheel Components (without side rollers)**

| No. | Art No.      | Description                         | Qty. | Note                  |
|-----|--------------|-------------------------------------|------|-----------------------|
| 1   | 941100100005 | Screw M10x15-8.8                    | 4    |                       |
| 2   | 508016520001 | Driving cover (without side roller) | 1    | Ground clearance 35mm |
|     | 508016520009 |                                     |      | Ground clearance 45mm |

**Fig. 11 Tiller head**

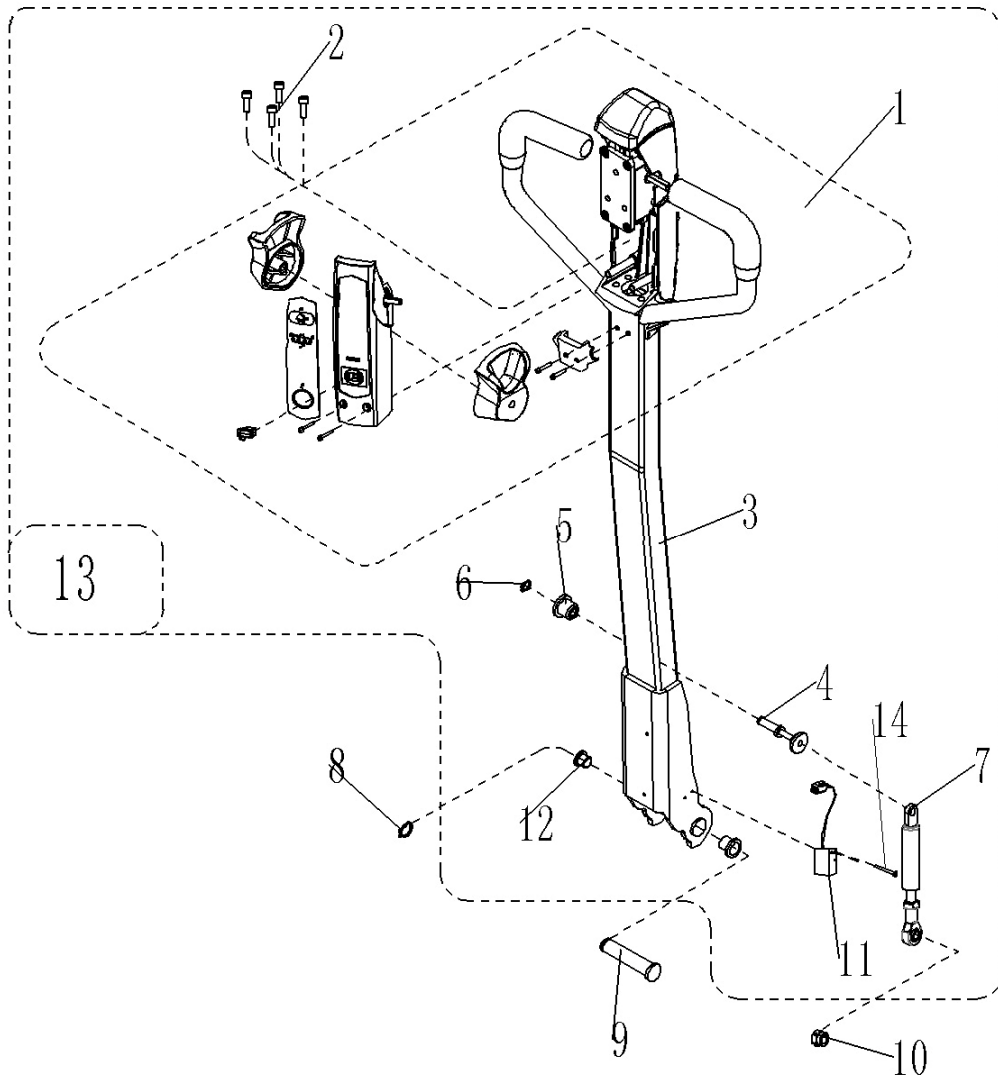


**Fig. 11 Tiller Head**

| No. | Art No.      | Description                    | Qty. | Note      |
|-----|--------------|--------------------------------|------|-----------|
| 1   | 508698520001 | Tiller front part              | 1    |           |
| 2   | 508698520002 | Tiller cover                   | 1    |           |
| 3   | 502398520011 | Lowering button                | 1    |           |
| 4   | 502398520010 | Lifting button                 | 1    |           |
| 5   | 502398520009 | Horn button                    | 1    |           |
| 6   | 502311020022 | Spring                         | 6    | Ø0.6*16mm |
| 7   | 508698520003 | Screw                          | 8    | ST2.2*13  |
| 8   | 502311020018 | Spring                         | 4    | Ø0.8*11mm |
| 9   | 508098520019 | Belly button transition button | 1    |           |

|    |              |                                   |   |               |
|----|--------------|-----------------------------------|---|---------------|
| 10 | 508098520018 | Belly button                      | 1 |               |
| 11 | 508698510000 | Horn micro switch assembly        | 1 | Z211          |
| 12 | 508698510001 | Lifting micro switch assembly     | 1 | Z212          |
| 13 | 910200200028 | Screw GB70.1-M5x40-8.8            | 2 | M5*40         |
| 14 | 508098520020 | Right driving knob                | 1 | N200          |
| 15 | 910400100002 | Washer GB97.1-3-200HV             | 2 | Ø3            |
| 16 | 910400500002 | Spring Washer GB93-3              | 2 | Ø3            |
| 17 | 508698520004 | Bolt                              | 2 | M3*14         |
| 18 | 508698520005 | Tiller back part                  | 1 | N200          |
| 19 | 508698520006 | Pin-code panel sticker            | 1 | N200          |
| 20 | 508698520000 | Key                               | 2 | N200          |
| 21 | 508698520007 | Key base                          | 1 | N200          |
| 22 | 910200200159 | Screw (black)<br>GB70.1-M5x50-8.8 | 2 | M5*50         |
| 23 | 508098520014 | Left driving knob                 | 1 | N200          |
| 24 | 508698510002 | Back part assembly                | 1 | Z400-13/26C-6 |
| 25 | 508698510003 | Front part assembly               | 1 | Z401-1        |
| 26 | 508698510004 | Tiller                            | 1 | N200-13/26C-6 |

**Fig. 12 Tiller arm components**

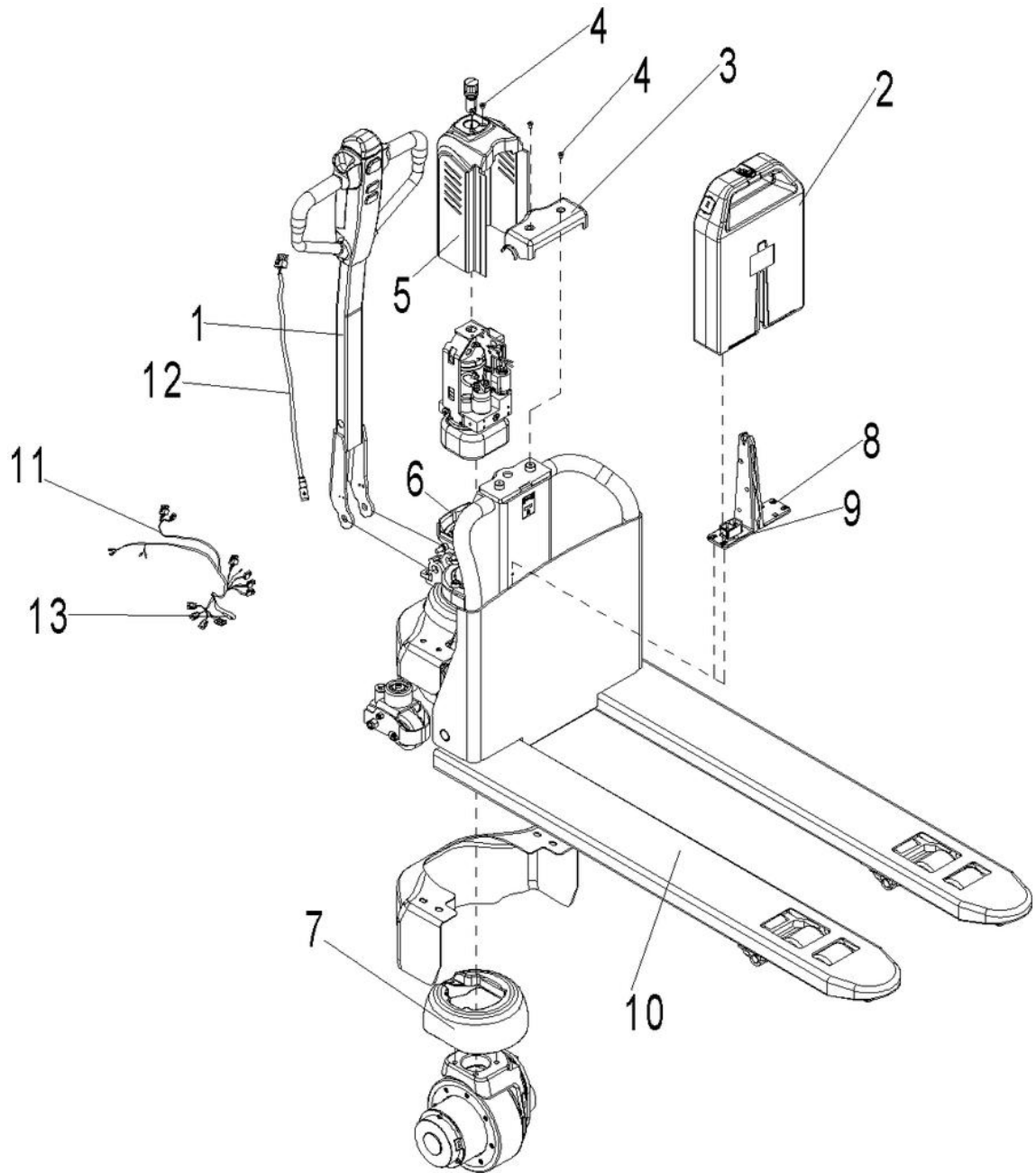


**Fig. 12 Tiller Arm Components**

| No. | Art No.      | Description              | Qty. | Note |
|-----|--------------|--------------------------|------|------|
| 1   | 922100100031 | Tiller N200(12C-7)       | 1    |      |
| 2   | 910200200040 | Screw GB70.1-M6x35-8.8   | 4    |      |
| 3   | 508011010000 | Tiller arm welding       | 1    |      |
| 4   | 508011010002 | Fixing axle welding      | 1    |      |
| 5   | 508011020005 | Fixing base              | 1    |      |
| 6   | 910401300001 | Circlip GB894.1-8        | 1    |      |
| 7   | 508011010001 | Air spring (D245)        | 1    |      |
| 8   | 910401300006 | Circlip GB894.1-15       | 1    |      |
| 9   | 508011020004 | Axle $\Phi 15 \times 70$ | 1    |      |

|    |              |  |   |  |
|----|--------------|--|---|--|
| 10 | 910200200057 | Screw GB70.1-M8x20-8.8                                 | 1 |  |
| 11 | 505633510002 | Proximity switch<br>NBN5-F7-E2(800mm)                  | 1 |  |
| 12 | 940500200001 | Bushing (With<br>shoulder) $\Phi$ 15x $\Phi$ 17x9-SF-1 | 2 |  |
| 13 | 507911001000 | Tiller control assembly<br>(P+F)                       | 1 |  |
|    | 507911001001 | Tiller control assembly (Fu Rui)                       |   |  |
| 14 | 910200200006 | Screw GB70.1-M3x22-8.8                                 | 2 |  |

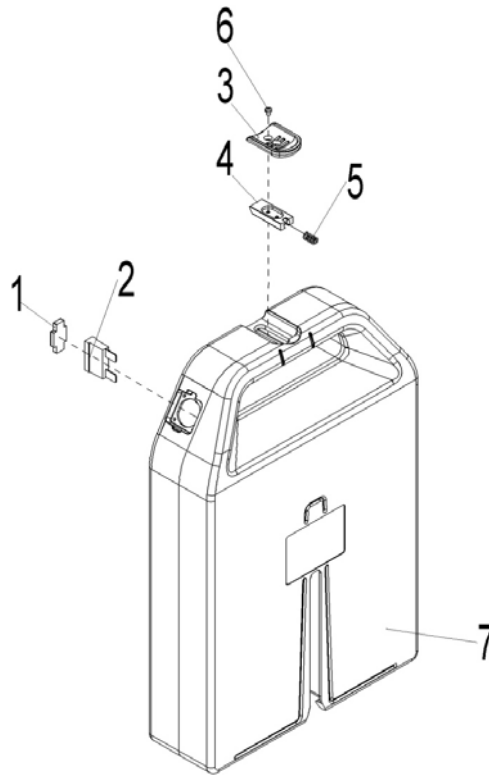
Fig. 13 Truck components



**Fig. 13 Truck Components**

| No. | Art No.      | Description   | Qty. | Note                          |
|-----|--------------|---|------|-------------------------------|
| 1   | 922100100031 | Tiller N200(12C-7)  | 1    |                               |
| 2   | 920600100084 | Lithium battery 24V15Ah                                     | 1    | 15Ah                          |
| 3   | 507938520011 | Top cover   | 1    |                               |
| 4   | 910200400015 | Screw GB70.3-M6x10-8.8                                      | 4    |                               |
| 5   | 508024020101 | Motor protective cover                                      | 1    |                               |
| 6   | 508024020102 | Electrical cover base                                       | 1    |                               |
| 7   | 508013520101 | Round cover   | 1    |                               |
| 8   | 920600100045 | Lithium battery base  | 1    |                               |
| 9   | 910200500037 | Screw GB818-M5x10-4.8                                       | 4    | M5x10                         |
| 10  | 507938510000 | Chassis welding (Tandem540X1150)                            | 1    |                               |
|     | 507938510002 | Chassis welding (Single540X1150)                            |      |                               |
|     | 507938510001 | Chassis welding (Tandem685X1150)                            |      |                               |
|     | 507938510003 | Chassis welding (Single685X1150)                            |      |                               |
| 11  | 508033010000 | Main control wiring harness                                 | 1    |                               |
|     | 508033010009 | Main control wiring harness (with speed reduction on curve) | 1    | with speed reduction on curve |
| 12  | 508033010001 | Tiller control wiring harness                               | 1    |                               |
| 13  | 920100200002 | Fuse 10A  | 1    |                               |

**Fig.14 Power supply assembly**

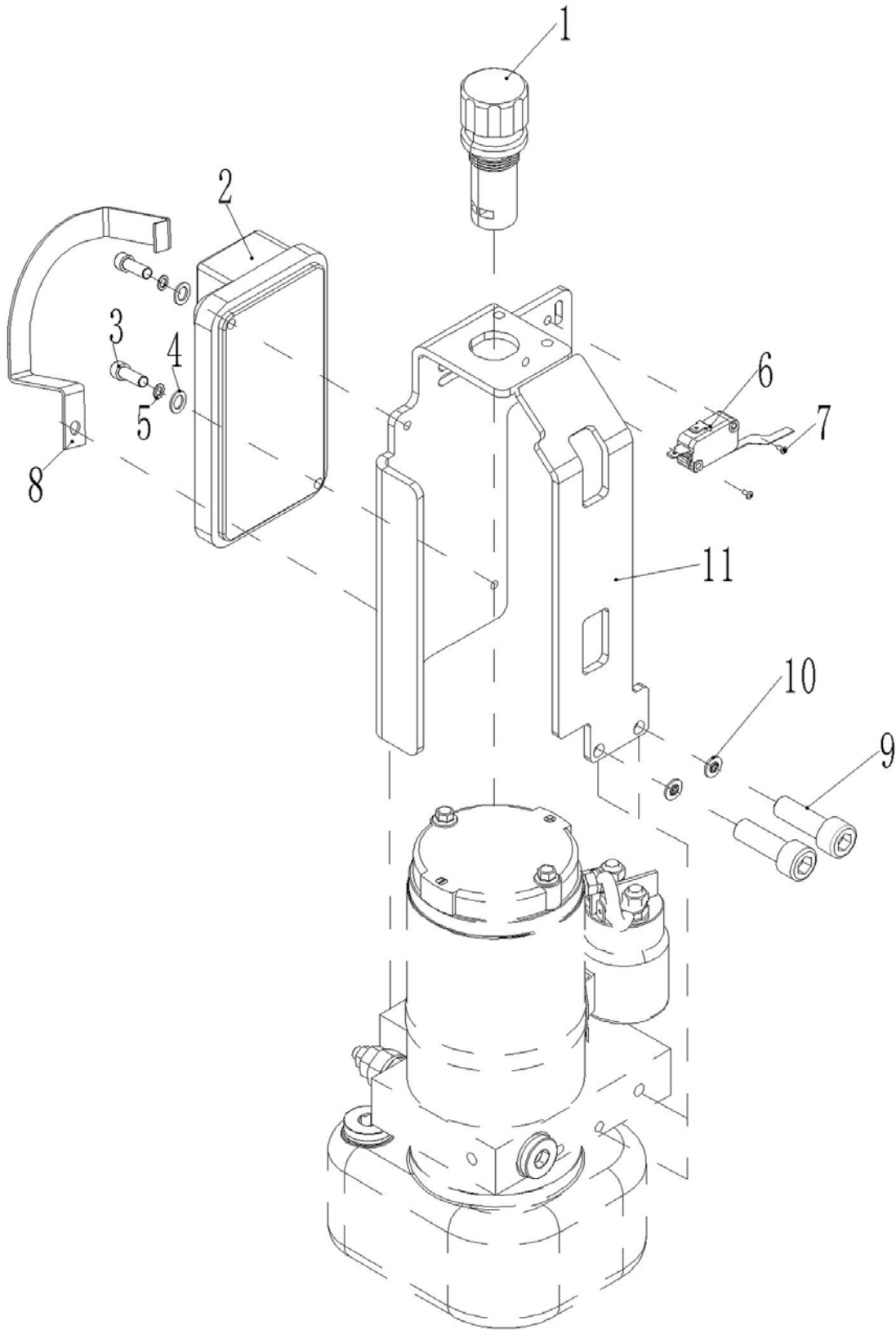


**Fig. 14 Power supply assembly**

| No. | Art No.      | Description                | Qty. | Note                  |
|-----|--------------|----------------------------|------|-----------------------|
| 1   | 508098520021 | Fuse cap                   | 1    |                       |
| 2   | 920100200006 | 70AFuse                    | 1    | ATM70A DC32V          |
| 3   | 508098520022 | Locker                     | 1    |                       |
| 4   | 508098520023 | Aluminium block            | 1    |                       |
| 5   | 508098520024 | Spring                     | 1    |                       |
| 6   | 910200500011 | Screw                      | 2    | Screw GB818-M3x10-4.8 |
| 7   | 920600100084 | Lithium battery<br>24V15Ah | 1    | 15Ah                  |



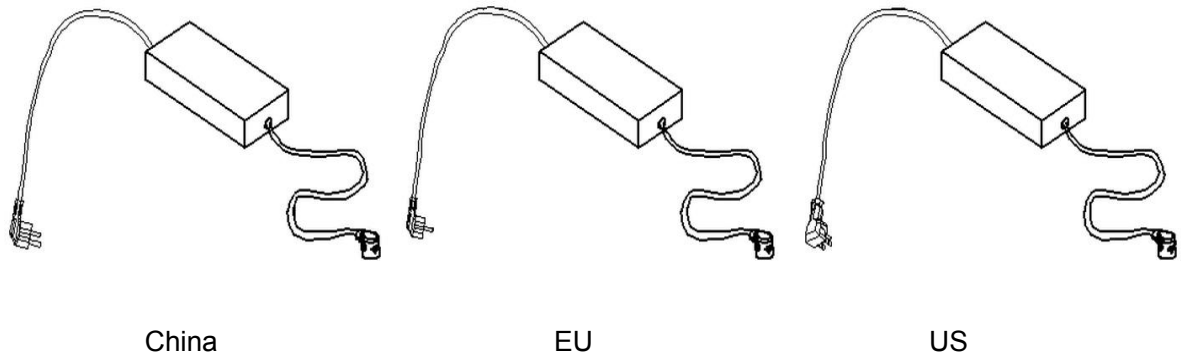
**Fig. 15 Controller components**



**Fig. 15 Controller Components**

| No. | Art No.      | Description                     | Qty. | Note                           |
|-----|--------------|---------------------------------|------|--------------------------------|
| 1   | 920200100015 | Emergency button<br>CE3T-10R-02 | 1    |                                |
| 2   | 921400100112 | Controller 1212C-2504           | 1    |                                |
| 3   | 910200200025 | Screw<br>GB70.1-M5x25-8.8       | 2    | Screw<br>GB70.1-M5x25-8.8-c1B  |
| 4   | 910400100004 | Washer<br>GB97.1-5-200HV        | 2    | Washer<br>GB97.1-5-200HV-A-c1B |
| 5   | 910400500004 | Spring Washer GB93-5            | 2    | Spring Washer<br>GB93-5-c1B    |
| 6   | 920200300012 | Micro switch<br>V-J163-1C25     | 1    |                                |
| 7   | 910200200003 | Screw<br>GB70.1-M3x12-8.8       | 2    | Screw<br>GB70.1-M3x12-8.8-c1B  |
| 8   | 508033020000 | Cable fixing plate              | 1    |                                |
| 9   | 910200200036 | Screw<br>GB70.1-M6x20-8.8       | 7    | Screw<br>GB70.1-M6x20-8.8-c1B  |
| 10  | 910400100005 | Washer<br>GB97.1-6-200HV        | 7    | Washer<br>GB97.1-6-200HV-A-c1B |
| 11  | 508024010002 | Controller mounting<br>frame    | 1    |                                |

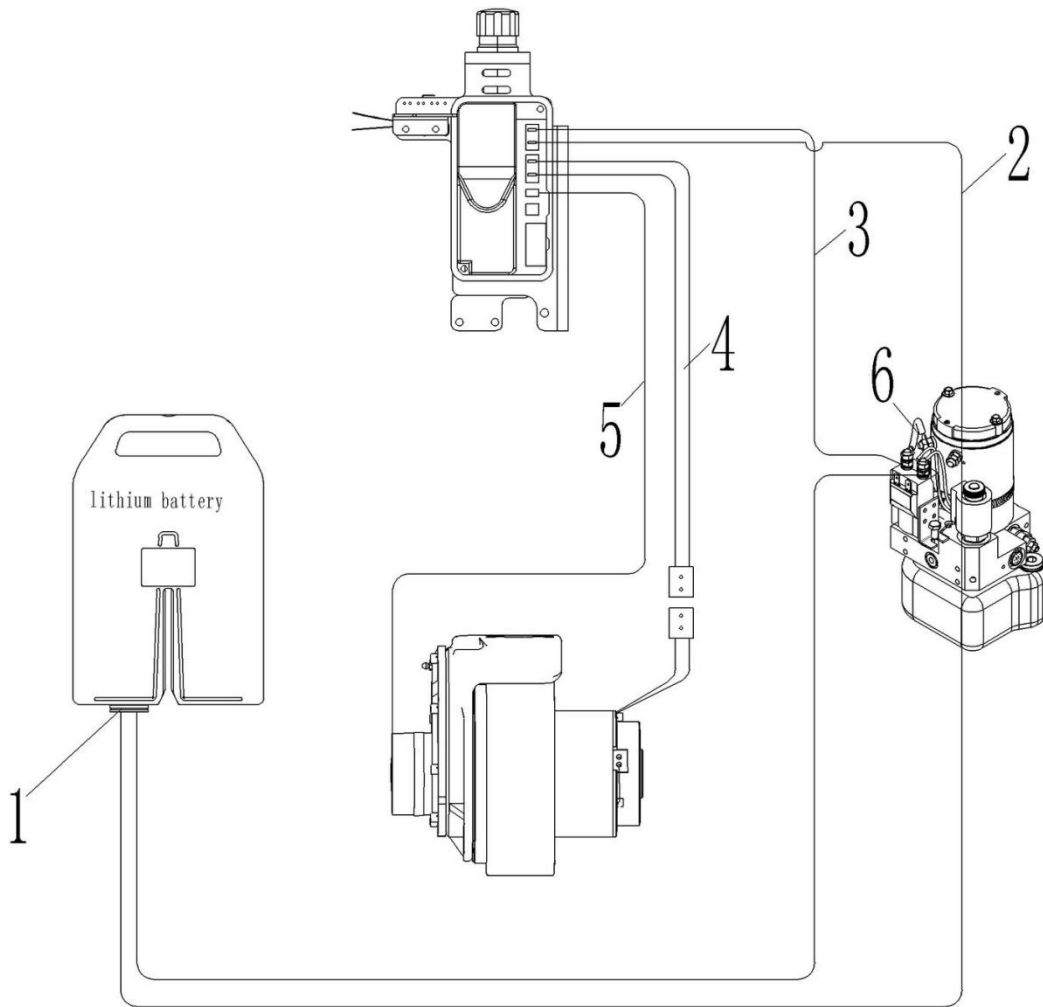
**Fig. 16 Charger**



**Fig. 16Charger assembly**

| No. | Art No.      | Description                   | Qty. | Note         |
|-----|--------------|-------------------------------|------|--------------|
| 1   | 508036510011 | Lithium battery Charger 24V5A | 1    | Asia Chinese |
|     | 508036510012 | Lithium battery Charger 24V5A | 1    | Asia English |
|     | 507936510001 | Lithium battery Charger 24V5A | 1    | US           |
|     | 508036510023 | Lithium battery Charger 24V5A | 1    | ENG          |
|     | 508036510025 | Lithium battery Charger 24V5A | 1    | EU           |
|     | 508036510026 | Lithium battery Charger 24V5A | 1    | AUS          |
|     | 508036510027 | Lithium battery Charger 24V5A | 1    | ITY          |
|     | 508036510028 | Lithium battery Charger 24V5A | 1    | Sweden       |
|     | 508036510029 | Lithium battery Charger 24V5A | 1    | Israel       |
|     | 508036510030 | Lithium battery Charger 24V5A | 1    | Brazil       |
|     | 508036510031 | Lithium battery Charger 24V5A | 1    | Argentina    |
|     | 507936510002 | Lithium battery Charger 24V8A | 1    | Asia         |

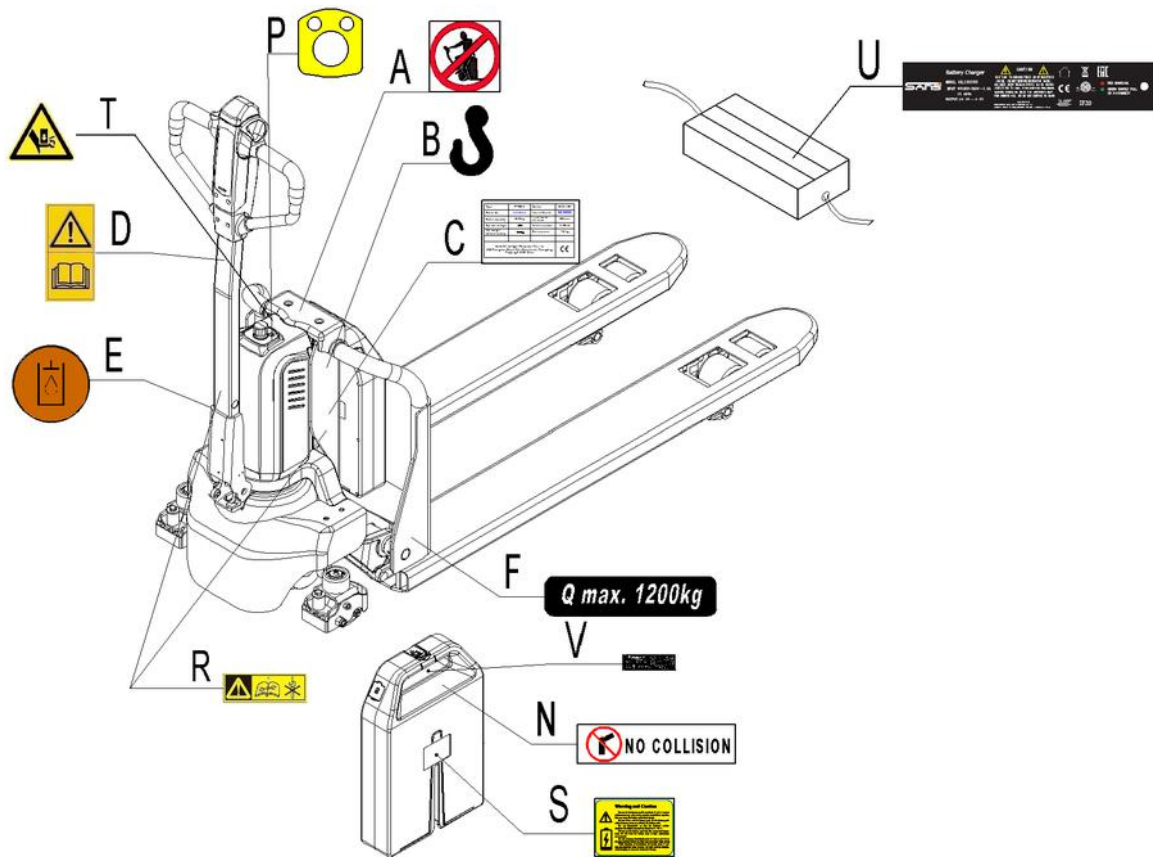
**Fig. 17 Wiring harness**



**Fig. 17 Wiring Harness**

| No. | Art No.      | Description                    | Qty. | Note |
|-----|--------------|--------------------------------|------|------|
| 1   | 508033010003 | Main plug wiring harness       | 1    |      |
| 2   | 508033010004 | Controller B+ wiring harness   | 1    |      |
| 3   | 508033010005 | Controller B- wiring harness   | 1    |      |
| 4   | 508033010006 | Motor main wiring harness      | 1    |      |
| 5   | 508033010007 | Controller main wiring harness | 1    |      |
| 6   | 508033010010 | Pump motor B+ wiring harness   | 1    |      |

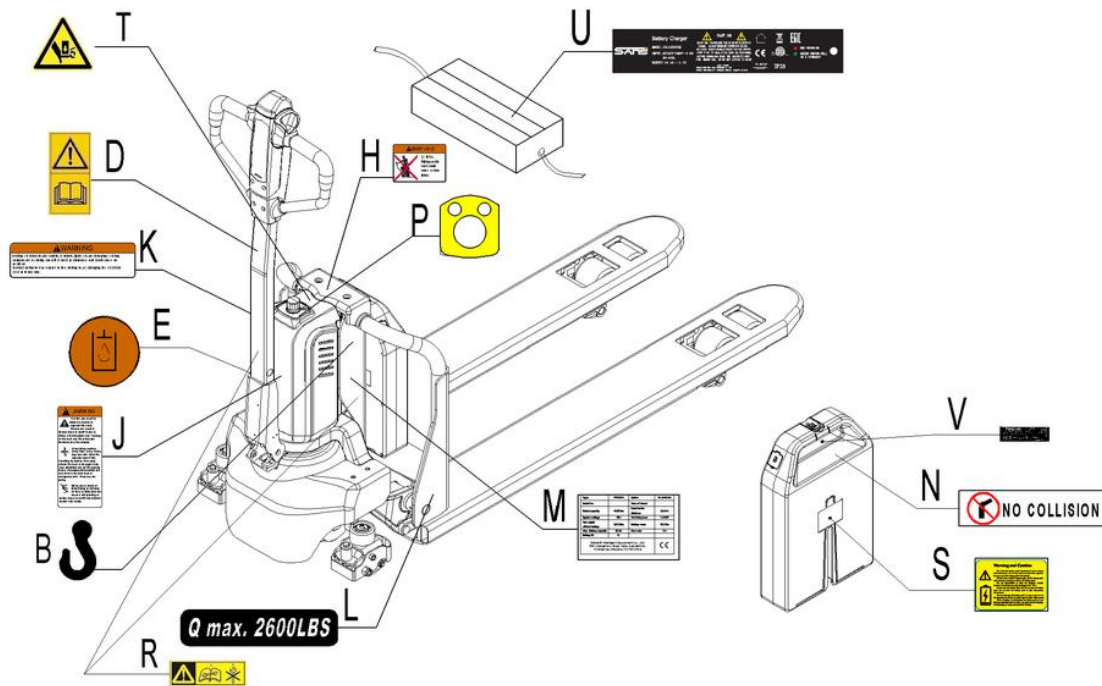
**Fig. 18 Sticker (EU)**



**Fig. 18 Sticker (EU)**

| No. | Art No.      | Description                                   | Qty. | Note |
|-----|--------------|---|------|------|
| A   | 941200100003 | "No passengers" decal                         | 1    |      |
| B   | 941200300001 | Crane hook label                              | 1    |      |
| C   | 507947520000 | CE sticker                                    | 1    |      |
| D   | 941200300002 | Sticker to read and follow these instructions | 1    |      |
| E   | 941200300003 | Filling sticker                               | 1    |      |
| F   | 941200200019 | Capacity sticker                              | 2    |      |
| N   | 508047020002 | Warning sticker                               | 1    |      |
| P   | 508047020000 | Emergency button sticker                      | 1    |      |
| R   | 508047020004 | Sticker to read and follow service manual     | 2    |      |
| S   | 508098520025 | Warning sticker                               | 1    |      |
| T   | 508047020007 | Warning sticker                               | 1    |      |
| U   | 508047520005 | Warning sticker                               | 1    |      |
| V   | 508047020009 | Battery name plate                            | 1    |      |

**Fig. 19 Sticker (US)**



**Fig. 19 Sticker (US)**

| No. | Art No.      | Description                                   | Qty. | Note |
|-----|--------------|---|------|------|
| B   | 941200300001 | Crane hook label                              | 1    |      |
| D   | 941200300002 | Sticker to read and follow these instructions | 1    |      |
| E   | 941200300003 | Filling sticker                               | 1    |      |
| H   | 941200100011 | "No passengers" decal                         | 1    |      |
| J   | 941200100009 | Warning sticker                               | 1    |      |
| K   | 941200100010 | Warning sticker                               | 1    |      |
| L   | 941200200034 | Capacity sticker                              | 2    |      |
| M   | 507947520002 | CE sticker                                    | 1    |      |
| N   | 508047020002 | Warning sticker                               | 1    |      |
| P   | 508047020000 | Emergency button sticker                      | 1    |      |
| R   | 508047020004 | Sticker to read and follow service manual     | 2    |      |
| S   | 508098520025 | Warning sticker                               | 1    |      |
| T   | 508047020007 | Warning sticker                               | 1    |      |
| U   | 508047520005 | Warning sticker                               | 1    |      |
| V   | 508047020009 | Battery name plate                            | 1    |      |

### Easy worn parts list

| No. | Art No.      | Description   | Qty.                   | Fig. /Position | Note |
|-----|--------------|---|------------------------|----------------|------|
| 1   | 940500100097 | Bushing<br>Φ24.6xΦ29x25-SF-1(With<br>grease storage holes)                | 2                      | Fig. 1/4       |      |
| 2   | 940500100083 | Bushing<br>Φ16xΦ18x15-SF-1(With<br>grease storage holes)                  | 8                      | Fig. 1/9       |      |
| 3   | 508098510000 | Push rod components (1150)  | 2                      | Fig. 1/16      | 1150 |
| 4   | 508098510001 | Rock arm components (540)   | 1                      | Fig. 1/17      |      |
| 5   | 508098510002 | Push rod kits (1150)  | 2                      | Fig. 1/18      | 1150 |
| 6   | 508098510004 | Push rod fork components  | 2                      | Fig. 1/19      |      |
| 7   | 940500100097 | Bushing<br>Φ24.6xΦ29x25-SF-1(With<br>grease storage holes)                | 4                      | Fig. 2/4       |      |
| 8   | 940500100083 | Bushing<br>Φ16xΦ18x15-SF-1(With<br>grease storage holes)                  | 8                      | Fig. 2/8       |      |
| 9   | 508098510003 | Rock arm components (685)   | 1                      | Fig. 2/16      |      |
| 10  | 508098510000 | Push rod components (1150)  | 2                      | Fig. 2/17      | 1150 |
| 11  | 508098510002 | Push rod kits (1150)  | 2                      | Fig. 2/18      | 1150 |
| 12  | 508098510004 | Push rod fork components  | 2                      | Fig. 2/19      |      |
| 13  | 910700200019 | Bearing GB276-6204-2RS  | 8/4(Tandem/<br>Single) | Fig. 3/4       |      |
| 14  | 940300300005 | Roller Φ80x70 (Steel<br>core PU)  | 4(Tandem)              | Fig. 3/5       |      |
| 15  | 940300300023 | Roller Φ80x93 (Steel<br>core PU)  | 2(Single)              | Fig. 3/10      |      |
| 16  | 940500200038 | Bushing (With shoulder)<br>Φ18xΦ20x12-SF-1<br>(With grease storage holes) | 4 (Tandem)             | Fig. 3/11      |      |
| 17  | 940500100088 | Bushing<br>Φ20xΦ22x12-SF-1<br>(With grease storage holes)                 | 4                      | Fig. 3/12      |      |

|    |              |  |   |            |          |
|----|--------------|--|---|------------|----------|
| 18 | 502398510014 | Wheel set kits (Single)                                | 2 | Fig. 3/13  |          |
| 19 | 502398510003 | Entry roller kits                                      | 2 | Fig. 3/14  |          |
| 20 | 508098510049 | Roller kits (Tandem)                                   | 2 | Fig. 3/15  |          |
| 21 | 508098510050 | Roller kits (Single)                                   | 2 | Fig. 3/16  |          |
| 22 | 508098510051 | Frame of roller components<br>(Tandem)                 | 2 | Fig. 3/17  |          |
| 23 | 502398510002 | Wheel set kits (Tandem)                                | 4 | Fig. 3/18  |          |
| 24 | 910700200058 | Bearing GB276-6013-2RS                                 | 1 | Fig. 4/4   |          |
| 25 | 910700600044 | Bearing GB297-32913                                    | 1 | Fig. 4/6   |          |
| 26 | 910800100098 | O ring   | 1 | Fig. 6/2   | 13.5x1.8 |
| 27 | 910800800003 | Circlip 12.7x9.8x1.25                                  | 1 | Fig. 6/7   |          |
| 28 | 910800100001 | O ring -inner 9.5x1.8                                  | 1 | Fig. 6/8   |          |
| 29 | 508598510004 | Sealing components                                     | 1 | Fig. 6/9   |          |
| 30 | 508598510004 | Sealing components                                     | 1 | Fig. 8/9   |          |
| 31 | 508098510054 | Hydraulic components                                   | 1 | Fig. 8/10  |          |
| 32 | 910700200018 | Bearing GB276-6203-2RS                                 | 2 | Fig. 9/3   |          |
| 33 | 940300300017 | Roller $\Phi$ 80x30<br>(Steel core PU)                 | 1 | Fig. 9/4   |          |
| 34 | 508016510005 | Side roller components<br>$\Phi$ 80x30(PU/Right )      | 1 | Fig. 9/5   |          |
| 35 | 502398510015 | Roller components                                      | 1 | Fig. 9/6   |          |
| 36 | 508098510047 | Spring components                                      | 1 | Fig. 9/7   |          |
| 37 | 508016510002 | Side roller components<br>$\Phi$ 80x30(PU/Left )       | 1 | Fig. 9/10  |          |
| 38 | 940500200001 | Bushing (With<br>shoulder) $\Phi$ 15x $\Phi$ 17x9-SF-1 | 2 | Fig. 12/12 |          |
| 39 | 920100200002 | Fuse 10A   | 1 | Fig. 13/13 |          |
| 40 | 920100200006 | 70AFuse  | 1 | Fig. 14/2  |          |