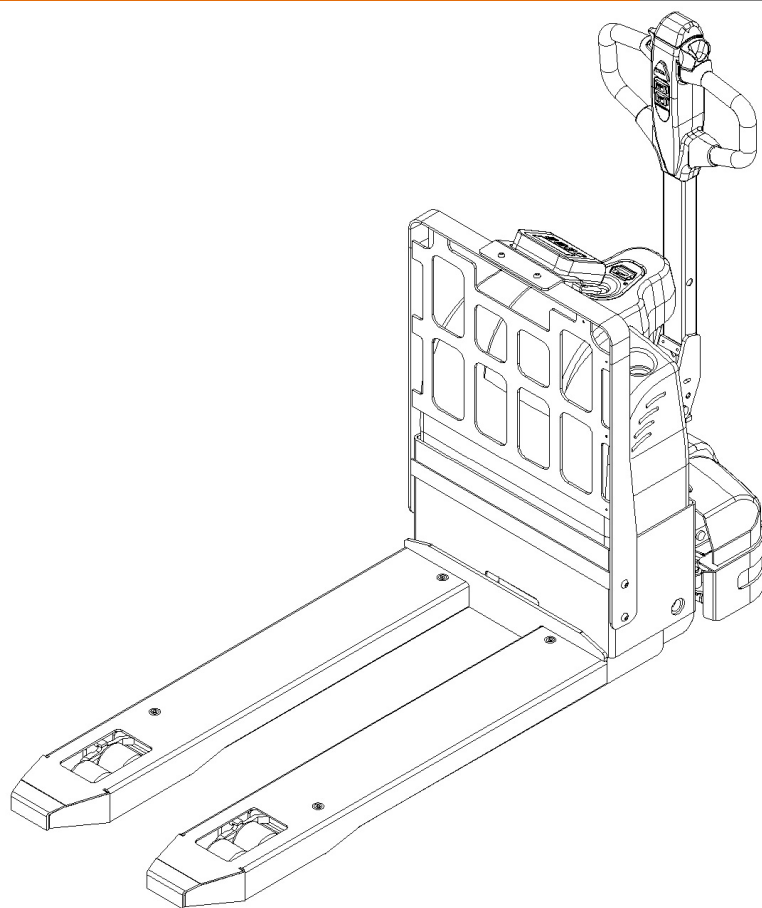


SPAREPARTS LIST

Electric Pallet Truck EPT15SC



Version 07/2016

EPT15SC-BPT-001_EN

From truck identification No.:

From date:2016/07

Change request No. :

Catalogue

Fig. 1 Fork Frame	3
Fig. 2 Load Roller	5
Fig. 3 Drive system (Amer).....	7
Fig. 4 Cylinder.....	9
Fig. 5 Drive wheel (Amer).....	11
Fig. 6 Suspension Castors	12
Fig. 7 Pump	14
Fig. 8 Tiller	16
Fig. 9 Tiller arm.....	18
Fig. 10 Hydraulic system	20
Fig. 11 Indicator holder assembly	22
Fig. 12 Control system.....	24
Fig. 13 Electrical system.....	26
Fig. 14 Truck body	29
Fig. 15 Cables.....	31
Fig. 16 Sticker for EU	33
Fig. 17 Sticker for US.....	34
Easy worn parts list	35

Fig. 1 Fork Frame

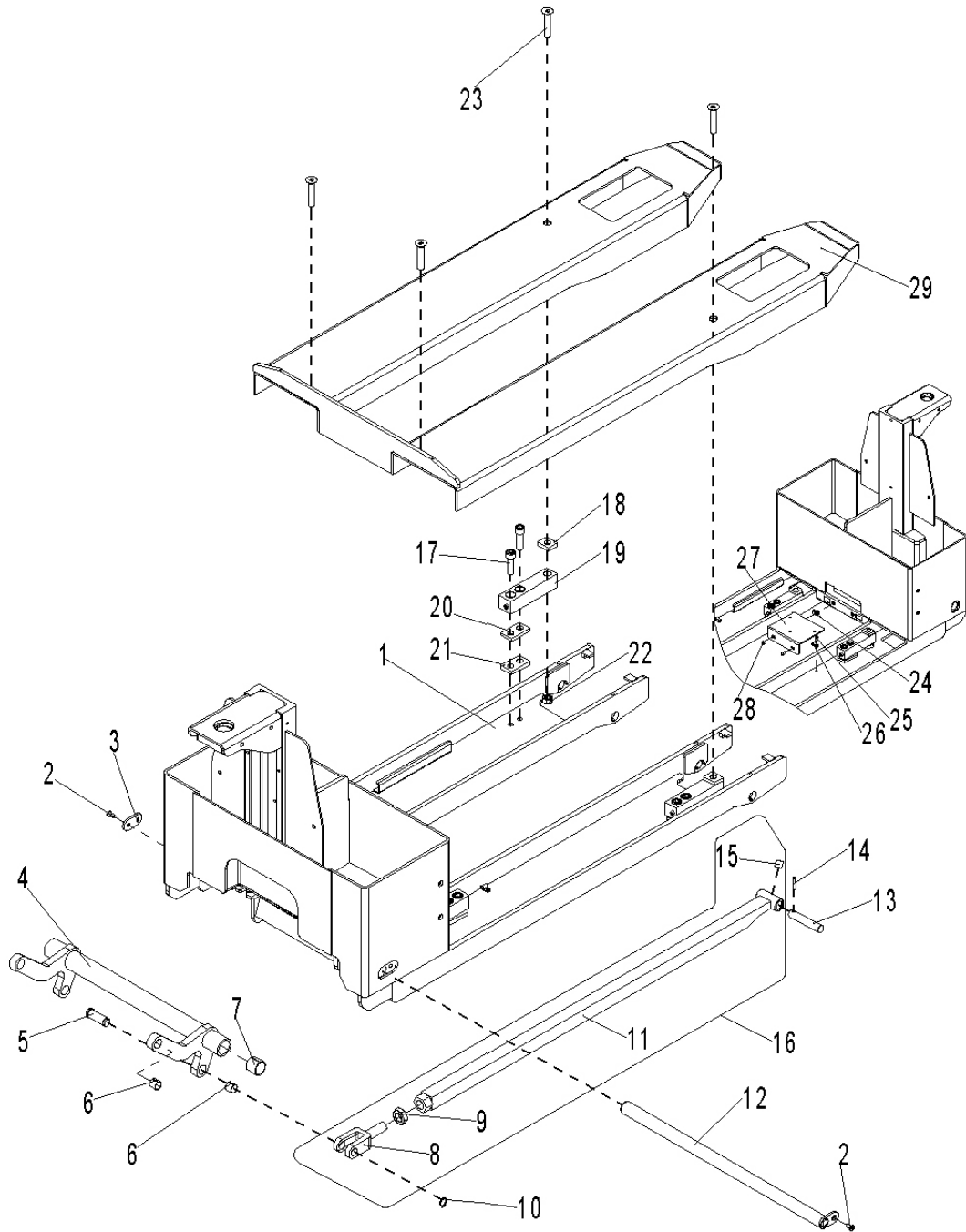


Fig. 1 Fork Frame

No.	Art No.	Description	Qty.	Note	Standard
1	9000017625	Fork frame	1	540×1150	
2	1000523002	Screw	3		
3	1000504001	Fixing plate	1		
4	9000001957	Rock arm	1	540	
5	90000001965	fork shaft	2		
6	0000013011	Bushing	4	16×18× 15	
7	0000027006	Bushing	2	25×29× 25	
8	9000001966	Push rod fork	2		
9	0000024044	Thin nut	2		GB/T6173=ISO8675
10	0000026019	Retaining ring	2		GB/T894.1
11	9000001967	Push rod	2	1150	
12	9000001971	Long shaft	1	540	
13	9000002327	Shaft	2		
14	0090000744	Roll pin	2	5×28	
15	0000030001	Oil cup	2	6	JB/T7940.4
16	9000010394	Push rod kit	2	1150	
17	0000023509	Screw	8	M12x40	
18	9000017626	Spacer	4		
19	9000017627	Sensor	4		
20	9000012031	Sensor spacer 1	4		
21	9000012030	Sensor spacer 2	4		
22	0000024085	Nut	4	M12	
23	9000017628	Screw	4	M12x60	
24	9000007785	Nut	2	M6	
25	1000123003	Screw	6	M4x8	
26	9000005742	Cable clamp UC-1	6		
27	9000017629	Junction box assembly plate	1		
28	0000023519	Screw	2	M6x10	
29	9000017630	Tray welding	1		

Fig. 2 Load Roller

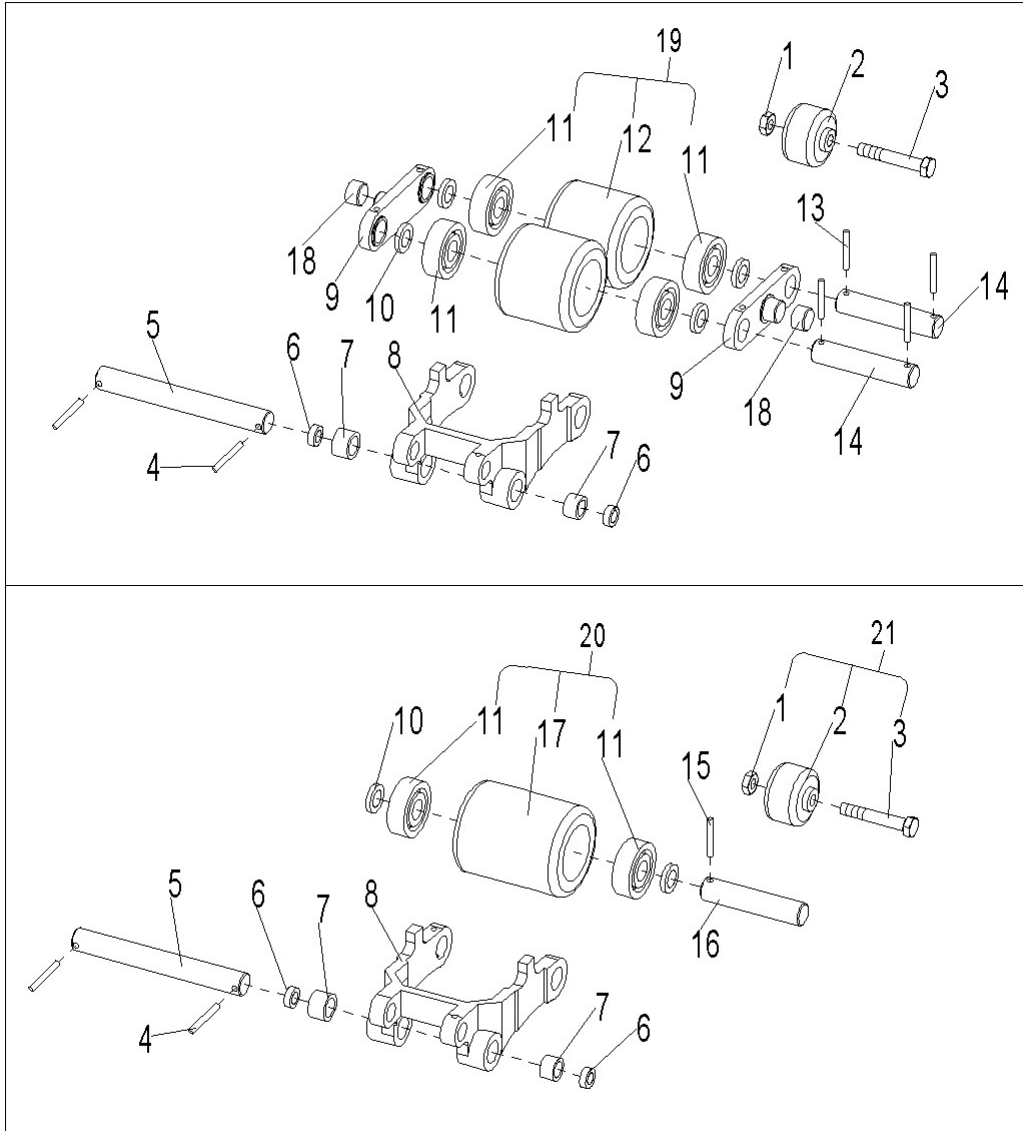


Fig. 2 Load Roller

No.	Art No.	Description	Qty.	Note	Standard
1	0000023005	Lock nut	2	M10	GB/T889.1=ISO7040
2	1000516001	Enter roller	2		
3	0000023004	Screw	2	M10×60	GB/T5782=ISO4014
4	0000028016	Roll pin	4	∅5×30	GB/T879.1=ISO8752
5	9000010582	Shaft for roller	2		
6	1070302002	Anti-grazing roller	2	20×35×8	
	1070302005		2	20×35×7	
7	0000027005	Bushing	4	22×20×12	
8	9000010581	Frame for load roller	2	85 height	
	9000011540		2	80 height	
9	9000002326	Link plate	4	Double wheel	
10	1070325001	Washer	8/4(D/S)		
11	0000027001	Bearing	8/4(D/S)	6204	GB/T276=ISO3290
12	2000416002	Wheel	4(Double)	80×70	
13	0090000745	Roll pin	8(Double)	5×35	
14	9000010583	Shaft for wheel	4(Double)	20×94	
15	0090000745	Roll pin	2(Single)	5×35	
16	9000017969	Shaft for wheel	2(Single)	□20×122	
17	2000416003	Wheel	2(Single)	80×93	
18	9000002333	Bushing	4 (Double)	□18×20×12	
19	9000010398	Load wheel	4		
20	9000010399	Load wheel	2		
21	9000010400	Roller kit	2		

Fig. 3 Drive system (Amer)

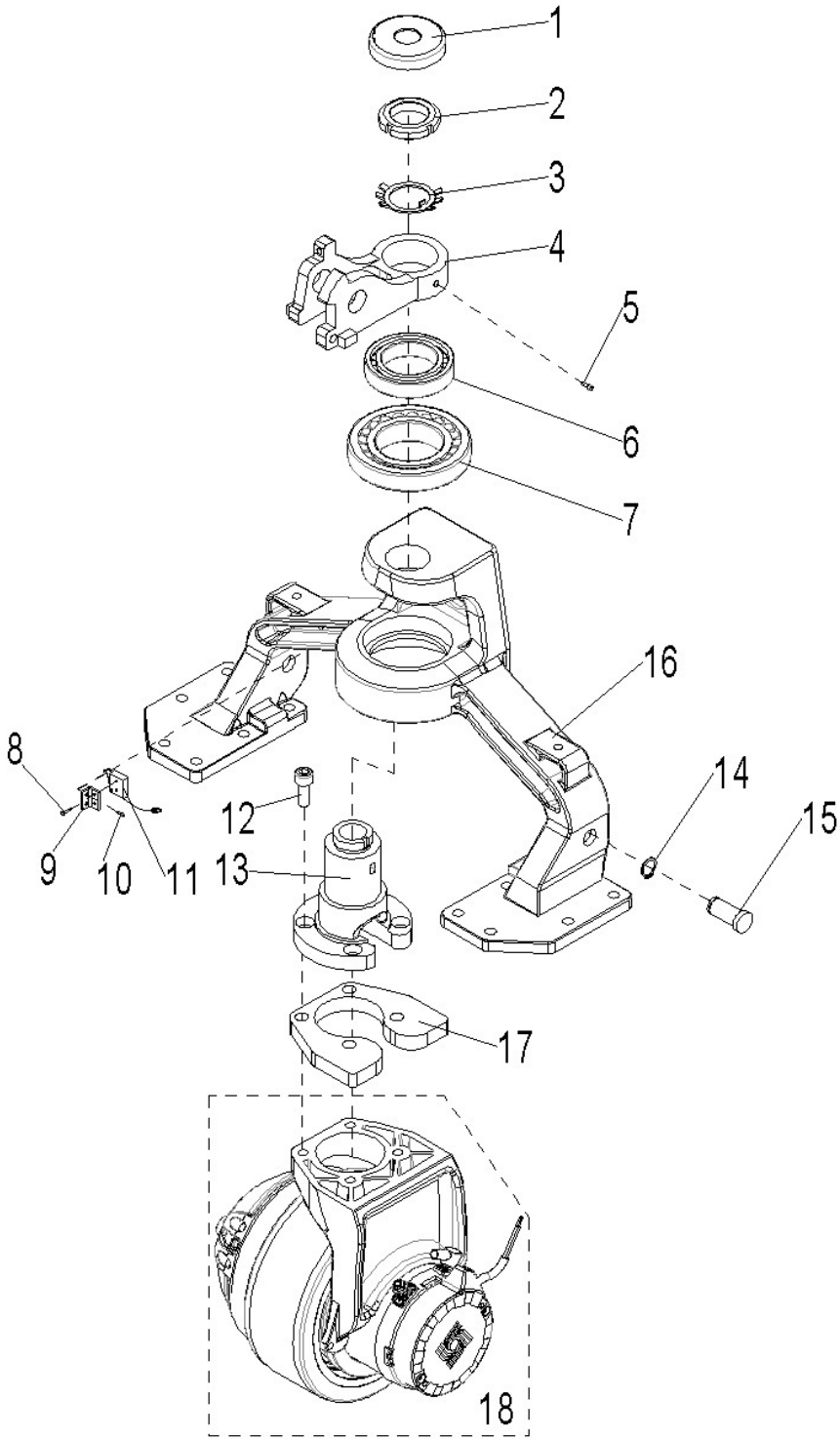


Fig. 3 Drive system (Amer)

No.	Art No.	Description	Qty.	Note	Standard
1	9000002312	Wire cover	1		
2	0000024039	Round nuts	1	M36×1.5	GB/T812=ISO2982
3	0000024062	Stopping collar	1	36	GB/T858
4	9000001913	Tiller block	1		
5	0000023040	Screw	1	M6×16	GB/T70.1=ISO4762
6	0000027065	Bearing	1	6010	GB/T276=ISO3290
7	0090000040	Tapered roller bearing	1	30212	GB/T297
8	0090000081	Screw	2	M2×10	GB/T818=ISO7045
9	9000001916	Plate for micro switch	1		
10	0000023611	Screw	2	M4×10	GB/T70.2=ISO7380
11	9000002135	Micro switch	1	WS1-T5-W200R200	
12	0000023034	Screw	4	M10×20 For rubber wheel	GB/T70.1=ISO4762
	0000023025	Screw	4	M10×40 For PU wheel	
13	9000001915	Connection flange	1		
14	0000026019	Retaining ring	2	16	GB/T894.1
15	9000001973	Shaft	2		
16	9000007759	Drive wheel block	1	Suspension castors	
17	9000007760	Mounting plate	1	Only for PU drive wheel	
18	9000012536	Drive wheel	1	PU	
	9000012542			Rubber	

Fig. 4 Cylinder

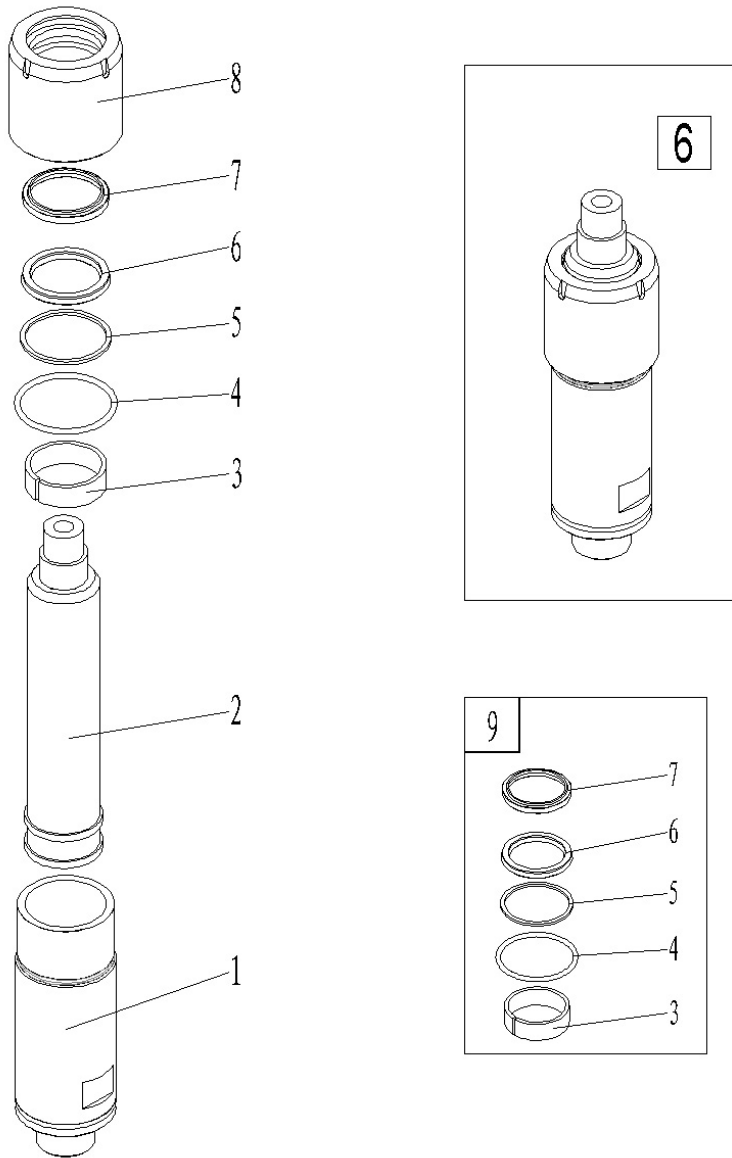


Fig. 4 Cylinder

No.	Art No.	Description	Qty.	Note	Standard
1	9000001982	Cylinder body	1		
2	9000001985	Piston rod	1		
3	2400308002	Guide ring	1	50×45× 15	
4	0000022049	O-ring	1	56×3.55	GB/T3452.1=ISO3601
5	9000001987	Seal washer	1		
6	0000022003	Sealing ring	1	45×55×8	GB/T10708.1
7	0000022004	Rubber dustproof seal ring	1	45×53× 6.5	GB/T10708.3
8	9000001986	End caps	1		
9	9000003706	Seal kit	1		
□,6	9000001981	Cylinder	1		

Fig. 5 Drive wheel (Amer)

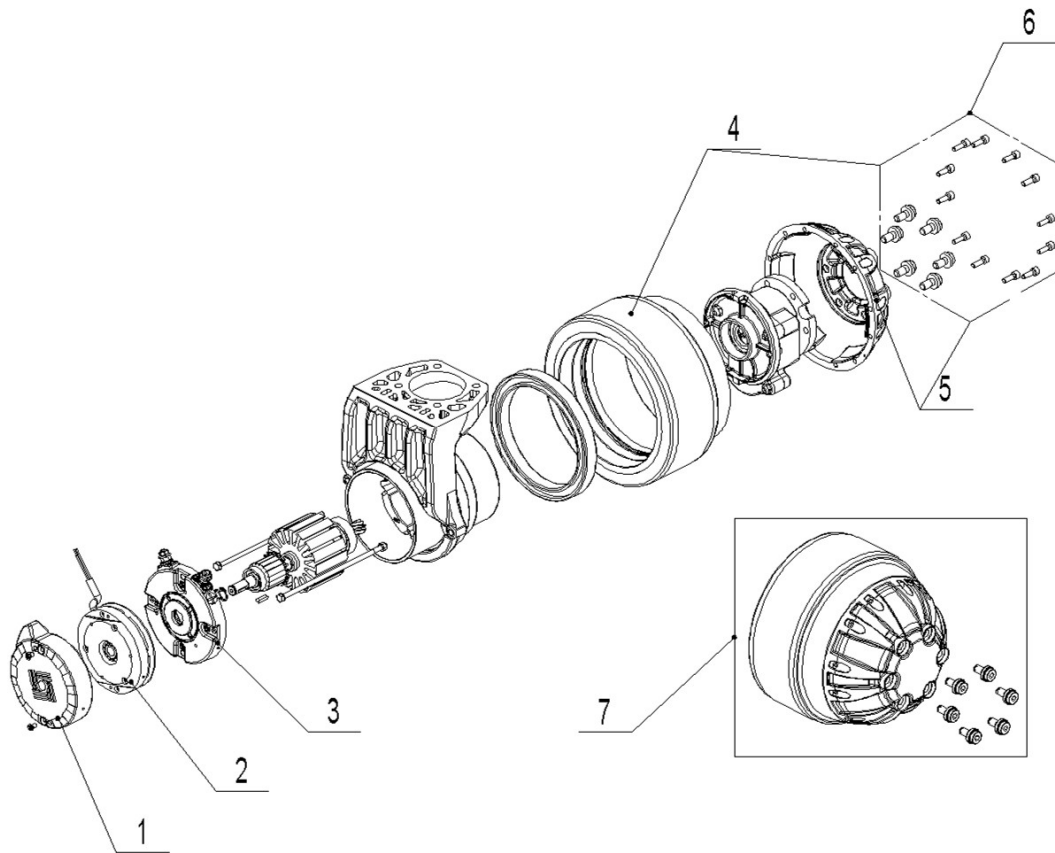


Fig. 5 Drive wheel (Amer)

No.	Art No.	Description	Qty.	Note	Standard
1	9000010340	Brake cover	1		
2	9000009821	Electric brake	1		
3	9000012537	End cap complete kit	1	Include	
4	9000012538	Wheel (D.200) kit	1	PU	
	9000012543	Wheel (D.230) kit	1	Rubber	
5	9000012539	Hub kit	1		
6	9000012540	Screw kit	1		
7	9000012541	Cover kit			

Fig. 6 Suspension Castors

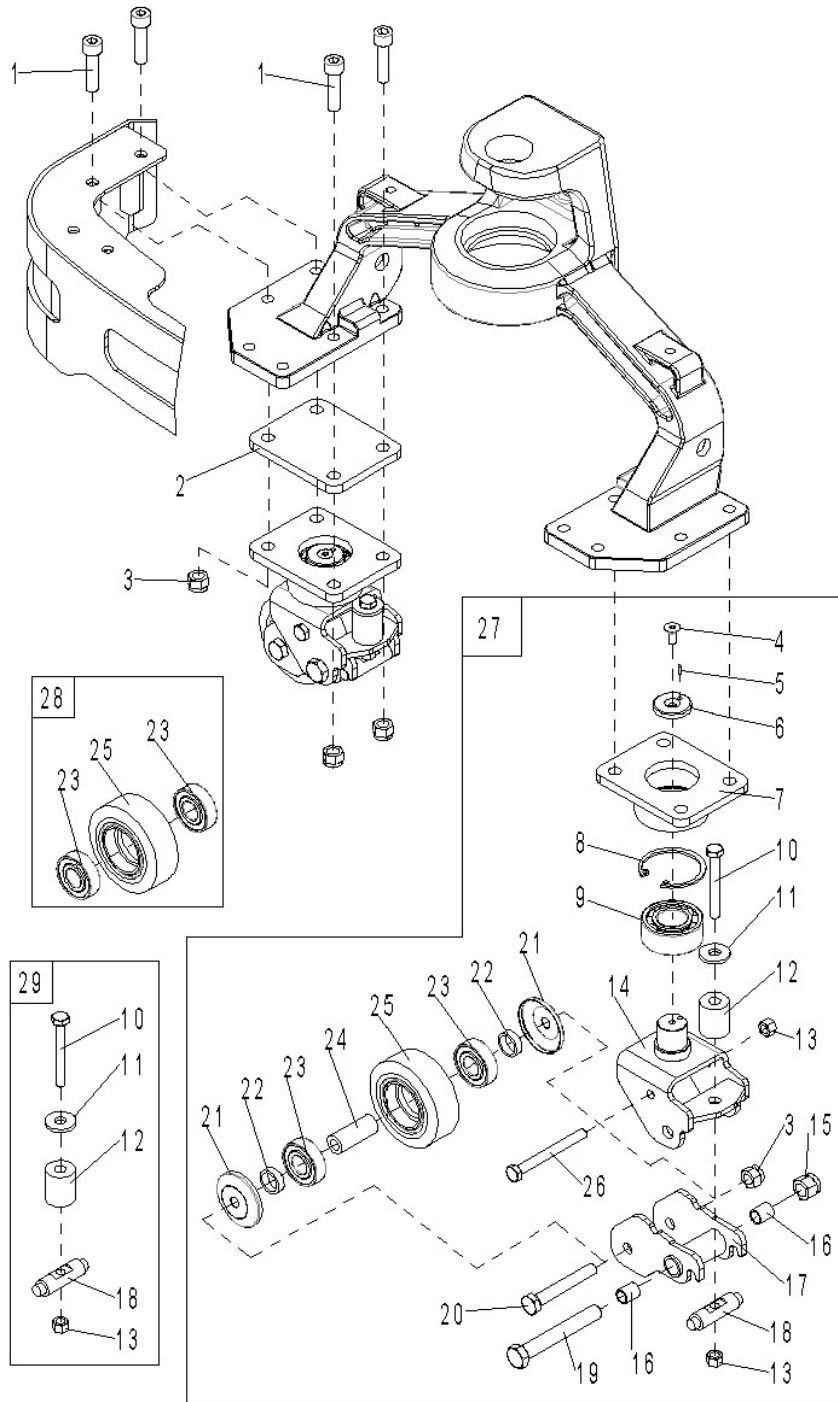


Fig. 6 Suspension Castors

No.	Art No.	Description	Qty.	Note	Standard
1	0000023025	Screw	8	M10×40	GB/T70.1=ISO4762
2	1000404031	Adjustment plate	Opt.	1mm	
3	0000023005	Lock nut	10	M10	GB/T889.1=ISO7040
4	1000523002	Screw	2	M6×14	
5	0000028004	Roll pin	2	4×14	GB/T119.2=ISO2338
6	1000426001	Shaft Collar	2		
7	1000401007	Plate	2		
8	0000026002	Retaining ring	2	52	GB/T893.1
9	0000027002	Bearing	2	3056205	GB/T296
10	0090000052	Screw	2	[CR2014-014]	GB/T5783=ISO4017
11	0000025061	Washer	2	8	GB/T96.1=ISO7093
12	9000009155	Polyurethane spring	2		
13	0000023081	Lock nut	4	[CR2014-014]	GB/T889.1=ISO7040
14	9000009148	Wheel frame	2		
15	0000024085	Lock nut	2	M12	GB/T889.1=ISO7040
16	1000413002	Bushing	4	12×15×15	
17	9000009151	Turning frame	2		
18	9000009156	Shaft	2		
19	0090000416	Screw	2	M12×90	GB/T5780=ISO4016
20	0090000415	Screw	2	M10×70	GB/T5780=ISO4016
21	9000009159	Dust cover	4		
22	9000009158	Ring	4		
23	0000027068	Bearing	4	6203	GB/T276=ISO3290
24	9000009157	Shaft bushing	2		
25	9000008793	Wheel	2	80×30	
26	0090000413	Screw	2	[CR2014-014]	GB/T5780=ISO4016
27	9000009147	Castor	2		
28	9000010401	Wheel kit	2		
29	9000010402	Spring kit	2		

Fig. 7 Pump

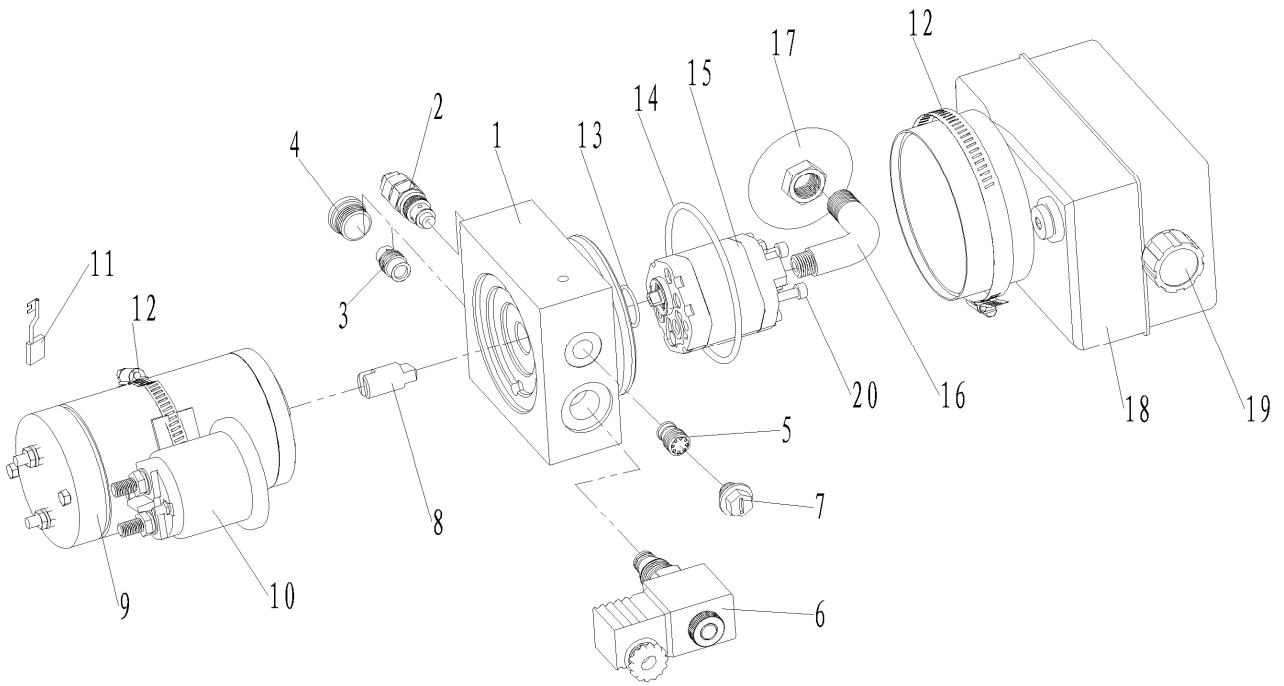


Fig. 7 Pump

No.	Art No.	Description	Qty.	Note	Standard
1	9000002144	Center valve block	1	CMT-1182-04	
2	9000002145	Overflow valve	1	RV-06	
3	9000002146	Pressure fill valve	1	RPCV-02-04	
4	9000002147	Plug	1	SVP06	
5	9000002148	Non-return valve	1	CV03	
6	9000002149	Solenoid valve	1	SCV-024DC	
7	9000002150	Plastic plug	1	PVP01	
8	9000002151	Coupling	1	DCP-465	
9	9000002152	DC motor	1	MD24080	
10	9000002153	Contacto	1	DK0224	
11	9000002193	Carbon brush	1		
12	9000002154	Hoop	2	KG01	
13	0090000187	O-ring	1	21.2×1.8	GB/T3452.1=ISO3601
14	0090000188	O-ring	1	87.5×3.55	GB/T3452.1=ISO3601
15	9000002155	Gear pump	1	CBK-F110	
16	9000002156	Oil elbow	1	FP03G	
17	9000002157	Oil absorption filter	1	FS03B	
18	9000002158	Tank	1	TP094C140-H	
19	9000002159	Tank cover	1	FC03	
20	0000023673	Screw	2	M5×16	GB/T70.1=ISO4762

Fig. 8 Tiller

No.	Art No.	Description	Qty.	Note	Standard
1	9000002189	Tiller block	1	Rubber	
2	9000002175	Left drive button	1	ABS	
3	9000008334	Accelerator	1	BD-190	Optional
	9000012014	Accelerator	1	ET-191E	
4	9000002177	Accelerator connector	1	ABS	BD-190 only
5	9000002188	Plastic cover	1	ABS	
6	9000002176	Right drive button	1	ABS	
7	0000023304	Screw	2	M3×12	GB/T70.1=ISO4762
8	0000025003	Elastic washer	2	3	GB/T93
9	0000025026	Washer	2	3	GB/T95
10	0090000190	Screw	2	M3×8	BD-190 only
11	0090000189	Screw	3	M4×8	GB/T70.3=ISO10642
12	9000002179	Lower cover	1	ABS	
13	0000023138	Screw	4	M6×10	GB/T70.3=ISO10642
14	0000023040	Screw	2	M6×16	GB/T70.1=ISO4762
15	9000002178	Upper cover	1	ABS	
16	9000002311	Micro switch plate	1	ABS	
17	9000002161	Micro switch	4		
18	0090000261	Screw	14	M2.2×13	GB/T845=ISO7049
19	9000002310	Micro switch plate	2	ABS	
20	0090000262	Tapping screw	7	ST2.2 × 9.5	GB/T845=ISO7049
21	9000002180	Belly button	1	ABS	
22	9000002181	Belly block	1	ABS	
23	9000002182	Spring	4	0.8	
24	9000002186	Spring	6	0.5	
25	9000002183	Horn	1	ABS	
26	9000002184	Lifting button	1	ABS	
27	9000002185	Lowing button	1	ABS	
28	9000002187	Sticker	1	ABS	
29	9000002473	Micro switches 2	1		
30	9000002190	Micro switches 1	1		

Fig. 9 Tiller arm

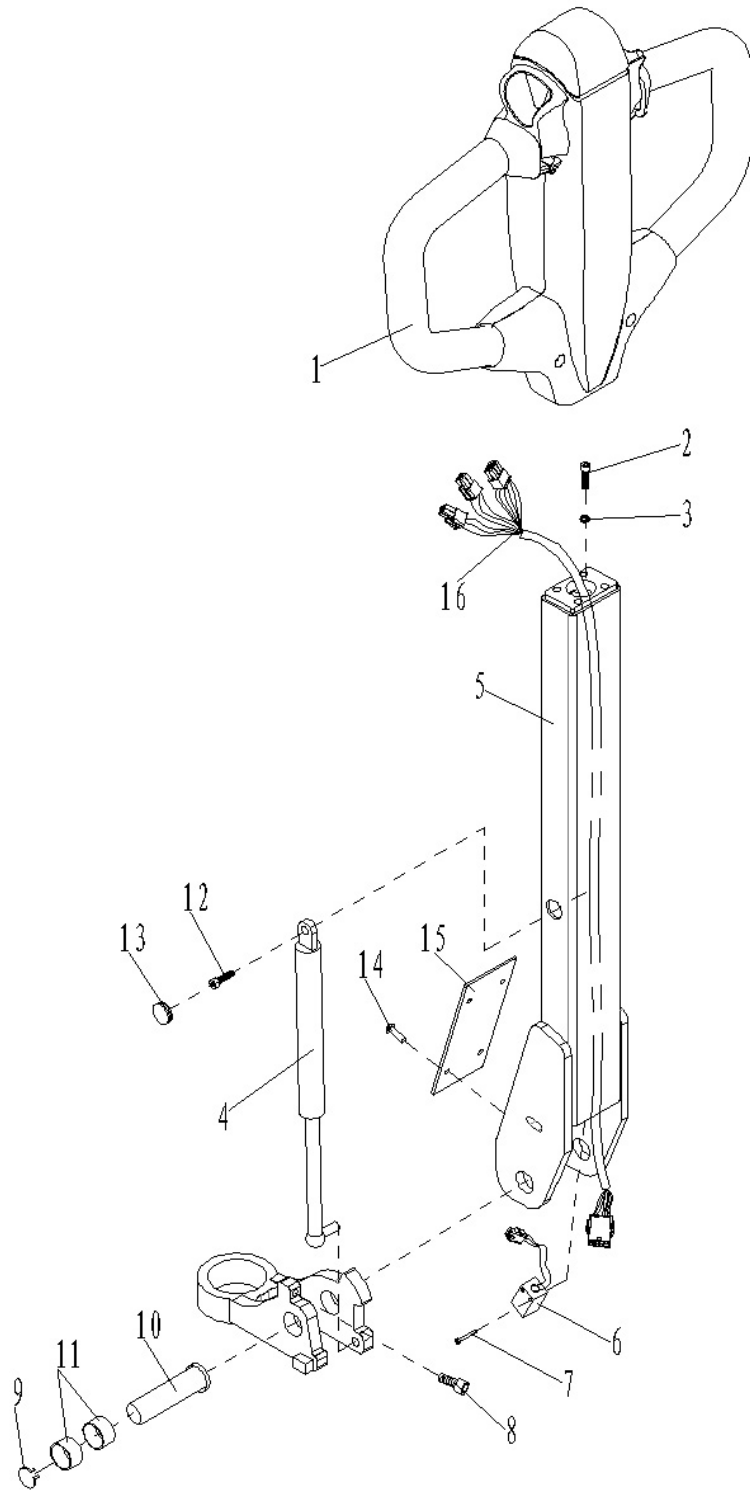


Fig. 9 Tiller arm

No.	Art No.	Description	Qty.	Note	Standard
1	9000001927	Tiller	1		
2	0000023061	Screw	4	M8×25	GB/T70.1=ISO4762
3	0000025004	Elastic washer	4	8	GB/T93
4	9000007398	Air spring	1		
5	9000001929	Tiller arm	1		
6	9000002319	Proximity switch	1	NBN5-FT-E2	
7	0000023075	Screw	2	M3×20	GB/T70.1=ISO4762
8	0000023067	Screw	1	M8×16	GB/T70.1=ISO4762
9	0000026003	Retaining ring	1	20	GB/T894.1
10	9000001933	Shaft of tiller	2		
11	0000013002	Bushing	2	20×22×12	
12	1000123001	Screw	1	M8×20	GB/T70.1=ISO4762
13	1030418001	Cover	1		
14	0090000041	Screw	4	M5×10	GB/T70.2=ISO7380
15	9000002318	Metal cover	1		
16	9000002471	Tiller cable	1		

Fig. 10 Hydraulic system

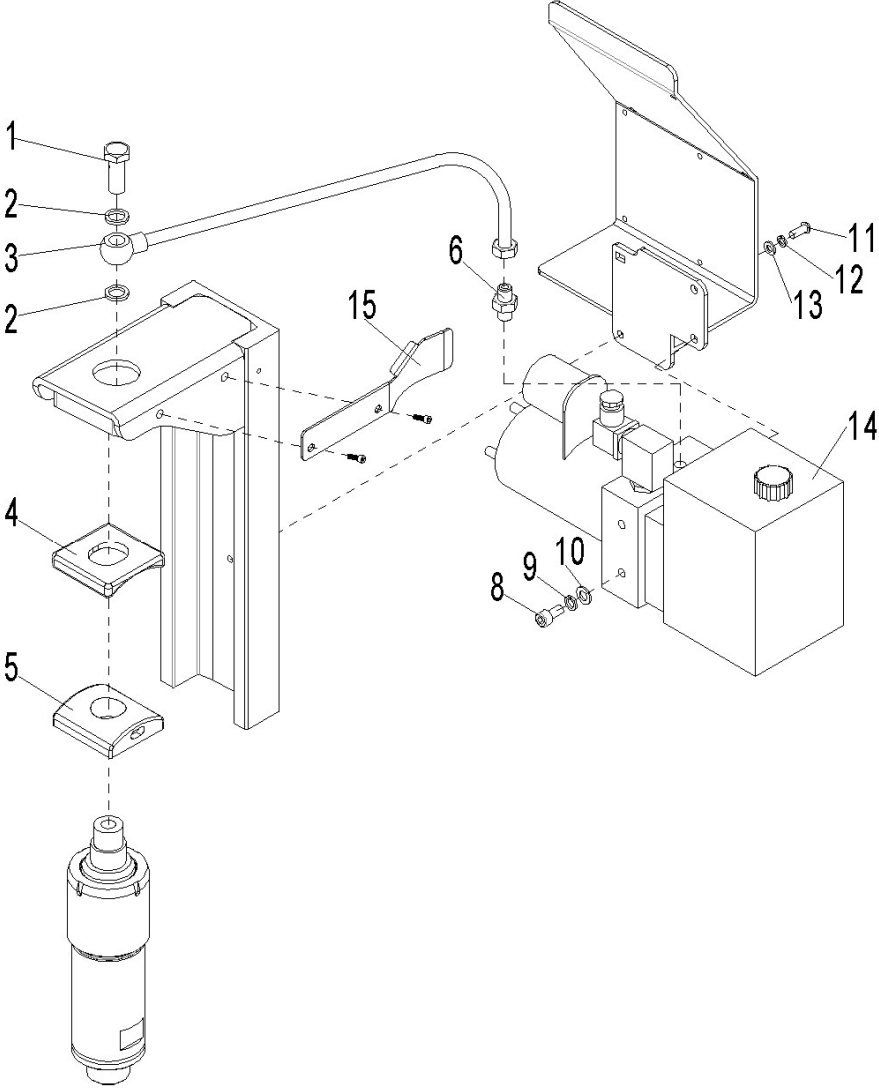


Fig. 10 Hydraulic system

No.	Art No.	Description	Qty.	Note	Standard
1	0000023410	Hinge bolt	1	M14×1.5× 35	
2	9000006022	Combination sealing washers	2	14	
3	9000006020	Pipe	1		
4	9000001988	Support plate	1		
5	9000001989	Transition plate	1		
6	9000006021	Straight connector	1		
7	0000022002	O-ring	1	Canceled	
8	0000023067	Screw	2	M8×16	GB/T70.1=ISO4762
9	0000025001	Elastic washer	2	8	GB/T93
10	0000025011	Washer	2	8	GB/T95
11	0000023555	Screw	1	M6×16	GB/T70.2=ISO7380
12	0000025010	Elastic washer	1	6	GB/T93
13	0000023055	Washer	1	6	GB/T95
14	9000000807	Pump	1	Vibo 0.8KW	
15	9000009998	Pipe holder plate	1	[CR2014-013]	

Fig. 11 Indicator holder assembly

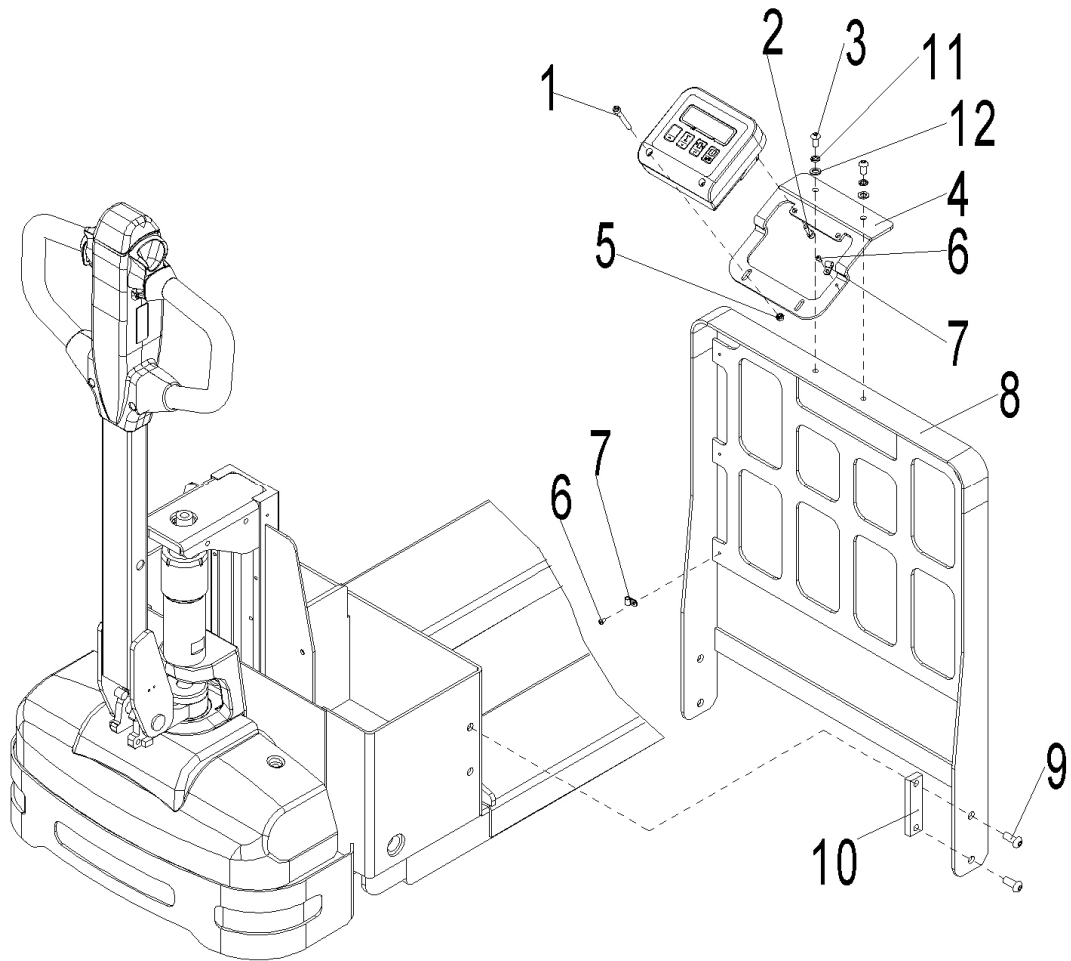


Fig. 11 Indicator Holder Assembly

No.	Art No.	Description	Qty.	Note	Standard
1	0000023719	Screw	2	M6x50	GB/T70.1=ISO4762
2	0000023062	Screw	2	M6x20	GB/T70.1=ISO4762
3	0000023078	Screw	2	M8x16	GB/T70.2=ISO7380
4	9000017631	Indicator assembly plate	1		
5	0000024101	Nut	2	M6	GB/T889.1=ISO7040
6	1000123003	Screw	5	M4x8	GB/T70.2=ISO7380
7	9000005742	Cable clamp UC-1	5		
8	9000017632	Indicator welding	1		
9	0090000447	Screw	4	M10x25	GB/T70.2=ISO7380
10	9000011656	Load backrest fixing plate	2		
11	0000025001	Spring washer	2	8	GB/T93
12	0000025011	Washer	2	8	GB/T95

Fig. 12 Control system

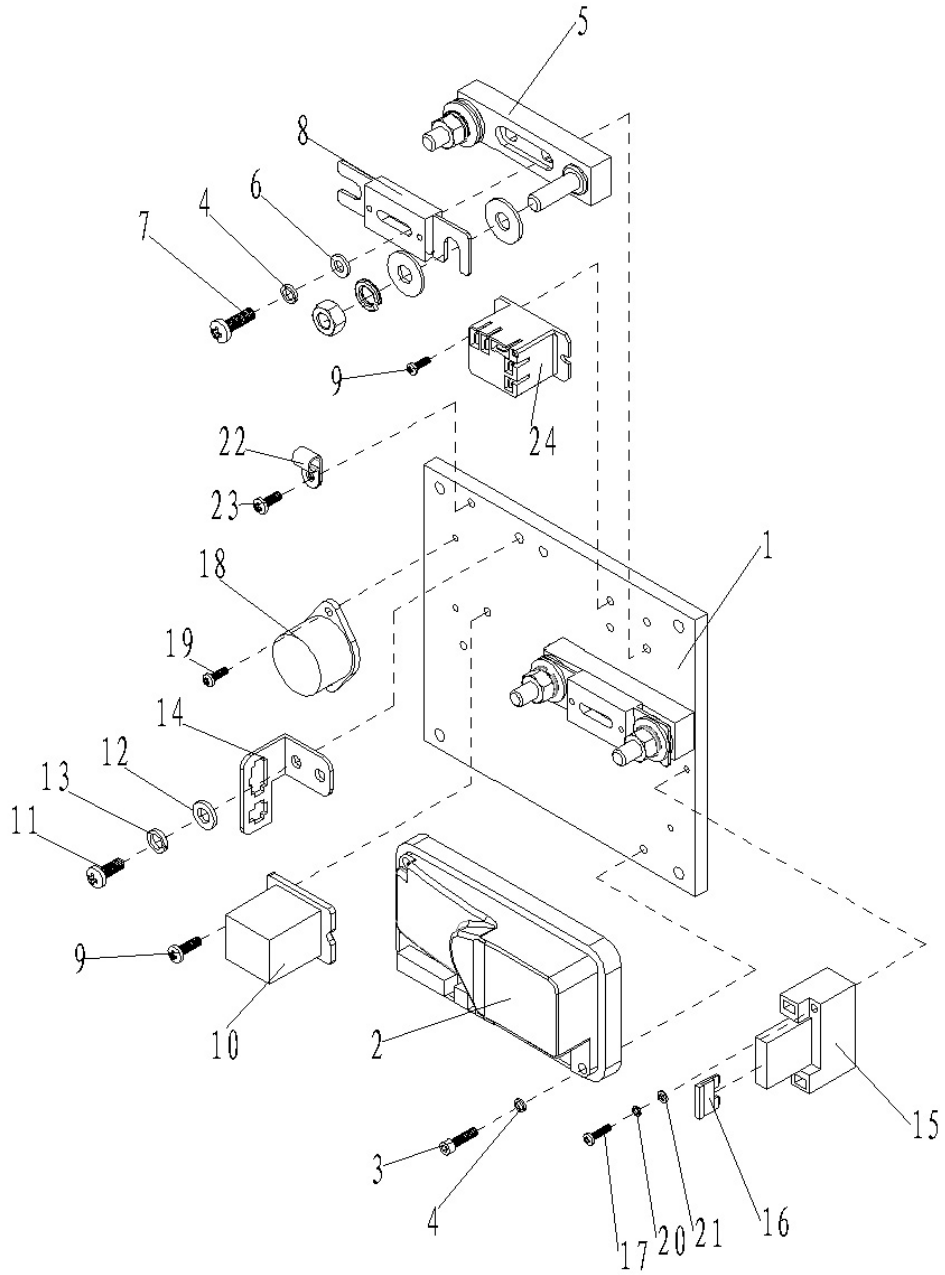


Fig. 12 Control system

No.	Art No.	Description	Qty.	Note	Standard
1	9000002066	Aluminum plate	1		
2	9000009802	Controller	1	CURTIS 1212P-2501	
3	0000023033	Screw	2	M4×25	GB/T70.1=ISO4762
4	0000025018	Elastic washer	8	4	GB/T93
5	1000434007	Fuse holder	2		
6	0000025019	Washer	6	4	GB/T95
7	0000023211	Screw	2	M4×16	GB/T818=ISO7045
8	1000434020	Fuse	2	60A	
9	0000023071	Screw	4	M4×8	GB/T818=ISO7045
10	1070335001	Protection mode	1	BD-W-115 Not for Amer drive wheel	
11	0000023516	Screw	2	M5×10	GB/T818=ISO7045
12	0000025014	Washer	2	5	GB/T95
13	0000025015	Elastic washer	2	5	GB/T93
14	1000404005	Connector plate	1		
15	1000434021	Fuse holder	1	BD-1×10A	
16	1000434040	Blade fuse	1	10A	
17	0000023074	Screw	2	M3×30	GB/T818=ISO7045
18	9000007394	Buzzer	1	HYD-4216W 24VDC	
19	0000023648	Screw	2	M3×8	GB/T818=ISO7045
20	0000025003	Elastic washer	2	3	GB/T93
21	0000025026	Washer	2	3	GB/T95
22	1000403004	Cable holder	1	UC-2	
23	0000023307	Screw	1	M4×10	GB/T818=ISO7045
24	9000002322	Relay	1	ARP12F-1C 24VDC	

Fig. 13 Electrical system

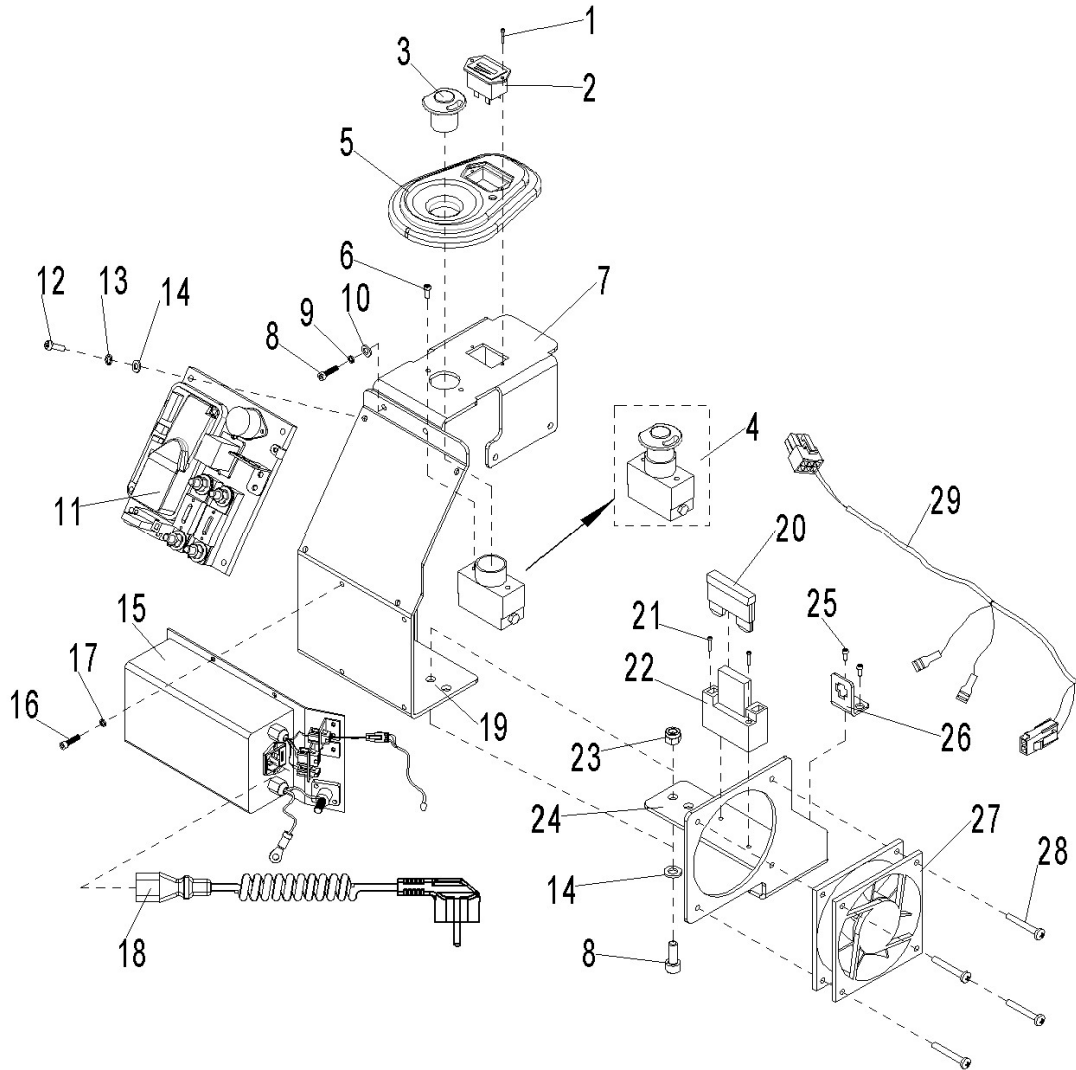


Fig. 13 Electrical system

No	Art No.	Description	Qty.	Note	Standard
1	0090000083	Screw	2	M3×25	GB/T70.2=ISO7380
2	9000009801	Indicator	1	Curtis906	
3	9000002163	Key	1	S100/80	
4	1070334008	Emergency button	1	S100/80	

5	9000001977	Instrument panel	1		
6	0000023311	Screw	2	M5×10	GB/T70.1=ISO4762
7	9000001975	Instrument plate	1		
8	0000023555	Screw	4	M6×16	GB/T70.2=ISO7380
9	0000025010	Elastic washer	2	6	GB/T93
10	0000023055	Washer	2	6	GB/T95
11	9000002065	Control board	1		
12	0000023107	Screw	4	M5×16	GB/T70.1=ISO4762
13	0000025015	Elastic washer	4	5	GB/T93
14	0000025014	Washer	6	5	GB/T95
15	1080420001	Charger 24V/8A QQE192-8CH17-2 6B	1	Input 230AC	
	1080420002	Charger 24V/8A QQE192-8CH18-2 6B	Opt .	Input 115AC	
16	0090000081	Screw	4	M4×12	GB/T818=ISO7045
17	0000025018	Elastic washer	4	4	GB/T93
18	1010434009	Charger power cord	1	Australia	
	1010434011	Charger power cord	1	UK	
	1010434012	Charger power cord	1	EU	
	1010434013	Charger power cord	1	Italy	
	1010434014	Charger power cord	1	Switzerland	
	2530334005	Charger power cord	1	USA	
	1010434023	Charger power cord	1	Asia	
19	9000001961	Electrical board	1		
20	1010434008	Fuse	1	1A	

21	0000023074	Screw	2	M3×30	GB/T818=ISO7045
22	1000434021	Fuse plate	1	BD-1×10A	
23	0000024045	Lock nut	2	M6	GB/T889.1=ISO7040
24	9000008753	Fan fixing plate	1		
25	0000023516	Screw	2	M5×10	GB/T818=ISO7045
26	1010404005	Connector holder	1		
27	1010434007	Fan	1	ADDA DC12V	
28	0000023041	Screw	4	M4×30	GB/T818=ISO7045
29	9000008786	Fan cable	1	[CR2013-010]	

Fig. 14 Truck body

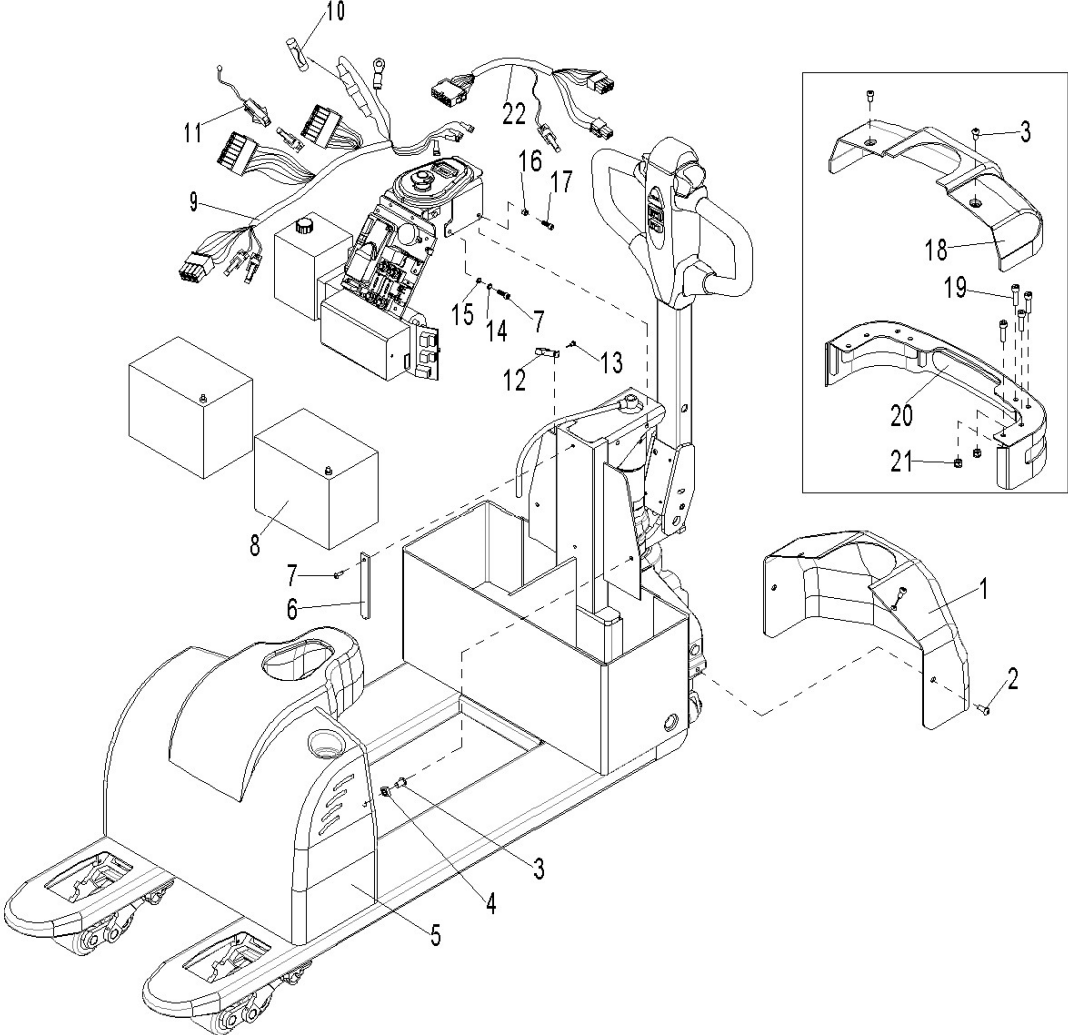


Fig. 14 Truck body

No.	Art No.	Description	Qty.	Note	Standard
1	1000423001	Screw	2		
2	2040424001	Active nuts	2	M10-5	
3	9000001969	Cover	1	540	
4	9000001978	Support reinforcement	1		
5	0000023629	Screw	8	M6×16	GB/T70.2=ISO7380
6	9000001970	Battery	2	12V/64Ah	
7	9000010351	Control cable	1	Amer drive wheel	
8	9000002324	Fuse 5*20 0.5A	1		
9	9000002192	Fault display LED	1		
10	9000002325	Mount UC-5	3		
11	0000023052	Screw	3	M4×10	GB/T818=ISO7045
12	0000025010	Elastic washer	2	6	GB/T93
13	0000023055	Washer	2	6	GB/T95
14	9000001979	Ring	2		
15	0000023030	Screw	2	M6×16	GB/T70.2=ISO7380
16	9000009160	Cover	1	Suspension castors	
17	0000023025	Screw M10×40	8		GB/T70.1=ISO4762
18	9000009161	Apron	1		
19	0000023005	Lock nut M10	8		GB/T889.1=ISO7040

Fig. 15 Cables

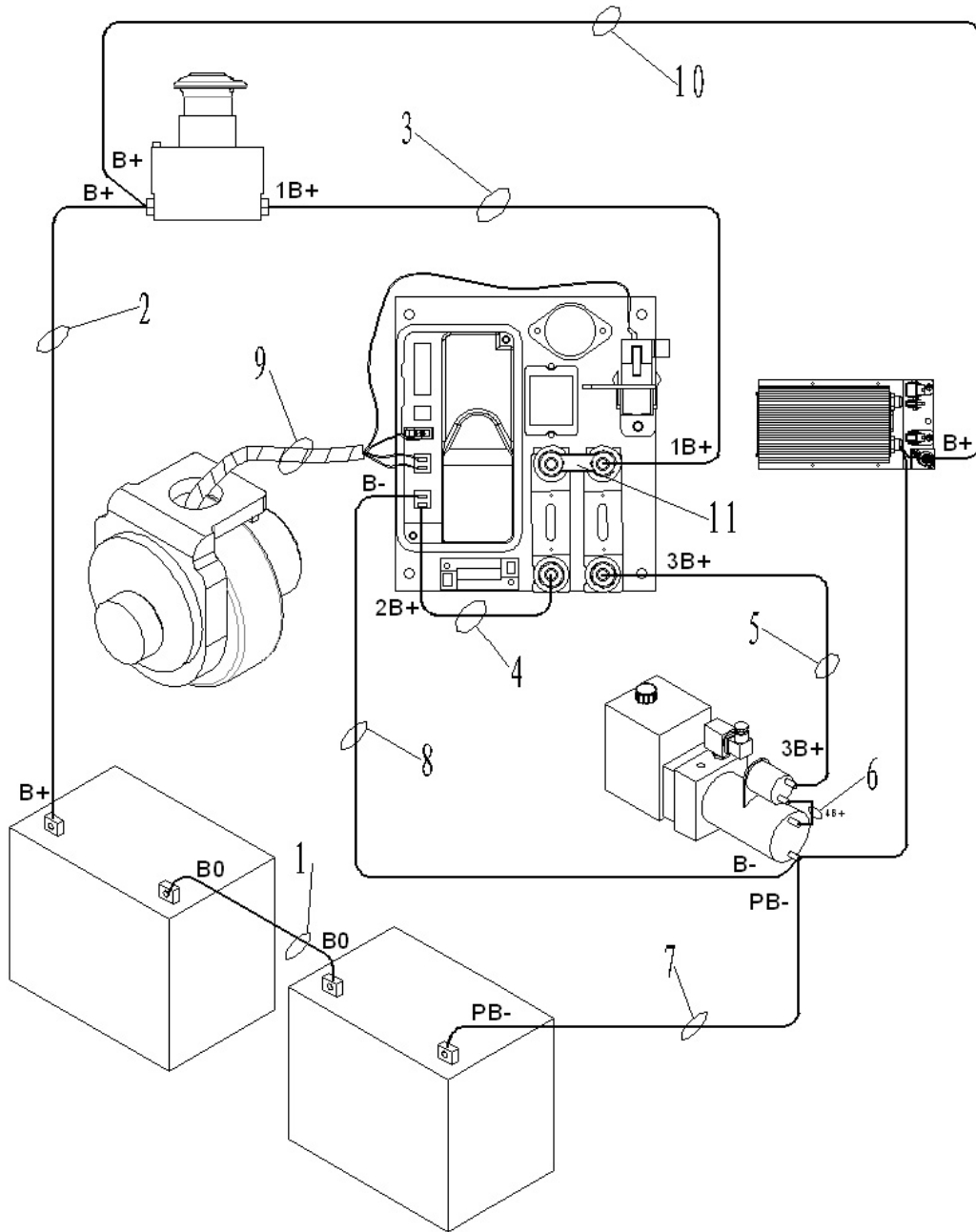


Fig. 15Cables

No.	Art No.	Description	Qty.	Note	Standard
1	9000002164	B0 line	1		
2	9000002165	B+ line	1		
3	9000002166	1B+ line	1		
4	9000002167	2B+ line	1		
5	9000002168	3B+ line	1		
6	9000002169	4B+ line	1		
7	9000002170	PB- line	1		
8	9000002171	B- line	1		
9	9000010352	Drive wheel cable	1	For Amer	
10	9000002173	Charger B+	1		
11	1020434003	Copper bar	1		

Fig. 16 Sticker for EU

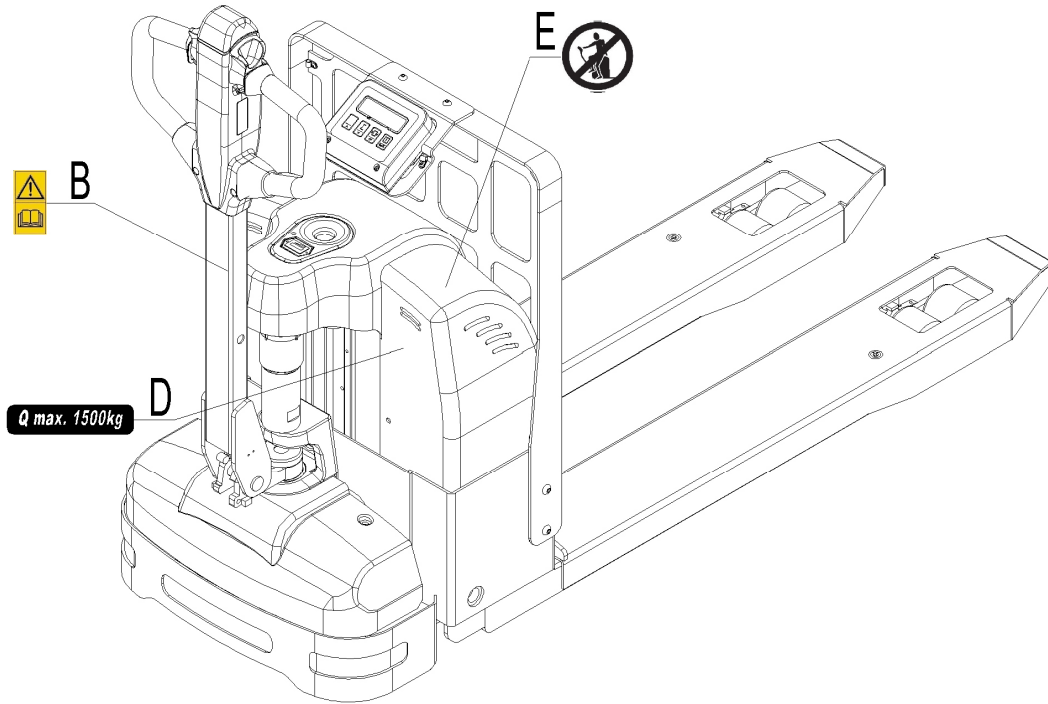


Fig. 16 Sticker for EU

No.	Art No.	Description	Qty.	Note	Standard
B	9000003570	Sign read and follow this instruction	1		
D	9000003572	Sign capacity sticker	1		
E	9000003573	'No passengers' decal	1		

Fig. 17 Sticker for US

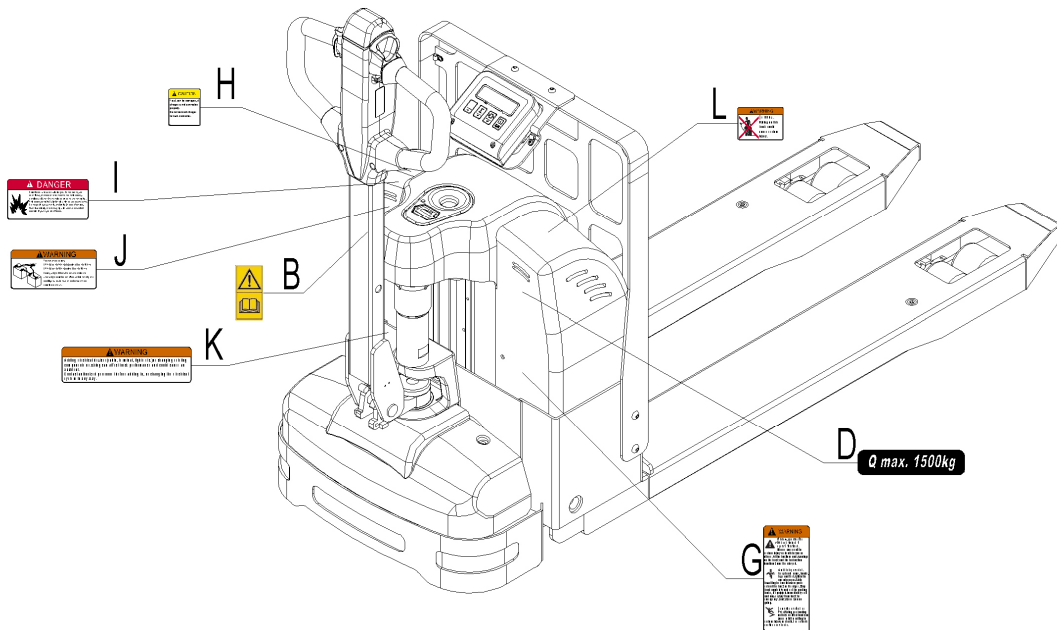


Fig. 17 Sticker for US

No.	Art No.	Description	Qty.	Note	Standard
B	9000003570	Sign read and follow this instruction	1		
D	9000003572	Sign capacity sticker	1		
G	9000003575	Sign warning stay clear stop truck	1		
H	9000003576	Sign caution charger	1		
I	9000003577	Sign danger battery	1		
J	9000003578	Sign warning battery size	1		
K	9000003579	Sign warning electrical devices	1		
L	9000003580	Sign danger not riding	1		

Easy worn parts list

No.	Part number	Name	Qty.	Fig./Position	Note
1	0000013011	Bushing	4	Fig.1/6	16×18×15
2	0000027006	Bushing	2	Fig.1/7	25×29×25
3	0000027005	Bushing	4	Fig.2/7	20×22×12
4	0000027001	Bearing	8	Fig.2/11	
5	9000010398	Load wheel	4	Fig.2/19	Double
6	9000010399	Load wheel	2	Fig.2/20	Single
7	9000002333	Bushing	4	Fig.2/18	18×20×12
8	9000002135	Micro switch	1	Fig.3.1、3.2/11	WS1-T5-W200R200
9	0000022049	O-ring	1	Fig.4/4	56×3.55
10	0000022003	Sealing ring	1	Fig.4/6	45×55×8
11	0000022004	Dust ring	1	Fig.4/7	45×53×6.5
12	9000012538	Wheel (D.200)	1	Fig.5/4	Amer PU
13	9000012543	Wheel (D.230)	1	Fig.5/4	Amer Rubber
14	9000010401	Wheel kit	2	Fig.6/28	Suspension
15	9000007398	Air spring	1	Fig.9/4	
16	0000013002	Bushing	2	Fig.9/11	
17	9000006022	Washer	2	Fig.10/2	
18	1000434020	Fuse	2	Fig.12/8	
19	1000434040	Fuse	1	Fig.12/16	
20	1010434008	Fuse	1	Fig.13/20	1A
21	9000002324	Fuse tube	1	Fig.14/8	5*20 0.5A